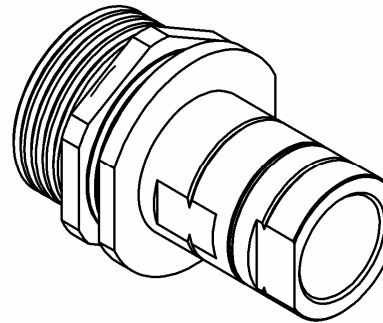
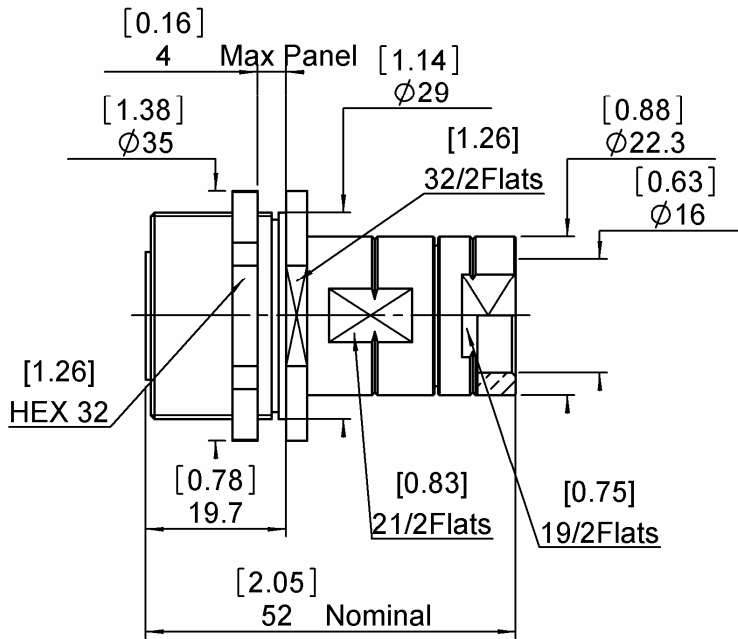


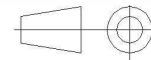
STR. BULK.JACK EZ FIT TYPE REAR MOUNT
CABLE 1/2" SUPERFLEXIBLE CORRUGATED

R185A.316.200

Series : ECO 7/16



All dimensions are in mm.



COMPONENTS	MATERIALS	PLATING (μm)
BODY	BRASS	BBR
CENTER CONTACT	BRONZE	SILVER
OUTER CONTACT		
INSULATOR	PTFE	
GASKET	SILICONE RUBBER	
OTHERS PARTS	BRASS	BBR
-	-	-
-	-	-

Issue : 0927 A

In the effort to improve our products, we reserve the right to make changes judged to be necessary.



STR. BULK.JACK EZ FIT TYPE REAR MOUNT

R185A.316.200

CABLE 1/2" SUPERFLEXIBLE CORRUGATED

Series : **ECO 7/16**

PACKAGING

Standard	Unit	Other
20	'W' option	Contact us

SPECIFICATION

ELECTRICAL CHARACTERISTICS

Impedance	50	Ω
Frequency	0-3	GHz
VSWR	1.10 + 0.0000	x F(GHz) Maxi
Insertion loss	0.05	\sqrt{F} (GHz) dB Maxi
RF leakage	- (NA)	- F(GHz) dB Maxi
Voltage rating	1270	Veff Maxi
Dielectric withstanding voltage	2000	Veff mini
Insulation resistance	10000	M Ω mini

CABLE ASSEMBLY

Stripping	a	b	c	d	e	f
mm	8.00	21.0	31.0	0.00	2.00	0.00

Assembly instruction :

Recommended cable(s)
 FSJ4RN-50B
 FSJ4P-50B-4 - 1/2"
 M2839Z
 M2830Z

Characteristics indicated on this data sheet are those that can be achieved with the highest performance cable. Intrinsic limitations of the cable may diminish the performance of the assembly

Cable retention

- pull off **350** N mini
 - torque **NA** N.cm

MECHANICAL CHARACTERISTICS

Center contact retention		
Axial force – Mating end	200	N mini
Axial force – Opposite end	100	N mini
Torque	NA	N.cm mini

Recommended torque		
Mating	NA	N.cm
Panel nut	3500	N.cm
Clamp nut	950	N.cm
A/F clamp nut	21.0000	mm

Mating life	100	Cycles mini
Weight	148.4000	g

TOOLING

Part Number	Description	Hexagon
R282.010.050	STRIPPING TOOL	

OTHER CHARACTERISTICS

Watertightness:IP67

ENVIRONMENTAL

Operating temperature	-40/+85	$^{\circ}$ C
Hermetic seal	NA	Atm.cm3/s
Panel leakage	NA	

Issue : **0927 A**

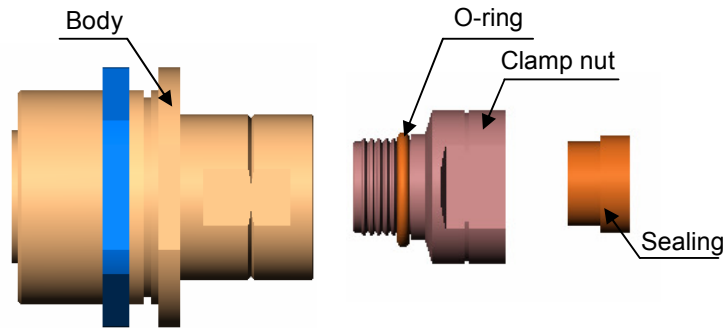
In the effort to improve our products, we reserve the right to make changes judged to be necessary.



STR. BULK.JACK EZ FIT TYPE REAR MOUNT
CABLE 1/2" SUPERFLEXIBLE CORRUGATED

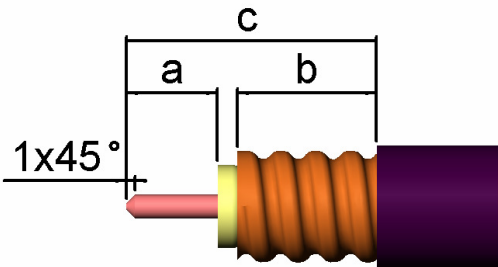
R185A.316.200

Series : ECO 7/16



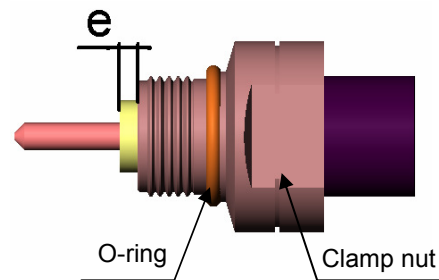
1

- Strip the cable .
- Do not damage the outer conductor .
- The end surface of inner conductor should be chamfered.
- Remove impurities such as copper scrap and burr on the end surface of the cable.



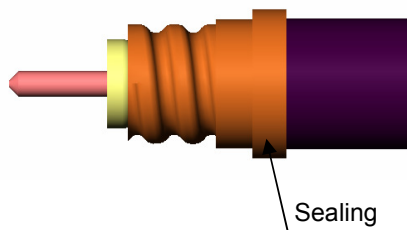
3

- Put the O-ring onto the clamp nut.
- Screw the clamp nut along the outer conductor of the cable, make dimension e right after tightening.



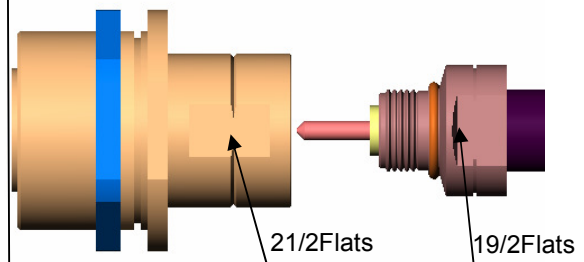
2

- Screw the sealing part along the outer conductor of the cable until stop.



4

- Screw the body onto the cable assembly .
- Recommended coupling torque : 950N.cm



Issue : 0927 A

In the effort to improve our products, we reserve the right to make changes judged to be necessary.

