

0,635mm TWINAX CABLES 6QDPS, 6QDP SERIES

SPECIFICATIONS

For complete specifications see www.samtec.com?6QDPS or www.samtec.com?6QDP

Cable:
30 AWG
Eye Speed™ MS
twinax micro ribbon
Signal Routing:
100Ω Differential



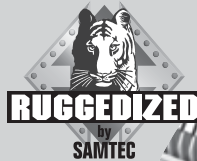
Cable Bending Radius:
(11,11mm) 7/16" min

Plating:
Au over 50µ" (1,27µm) Ni
Current Rating: 1 A max
Propagation Delay:
4.67 nsec/meter
Operating Temp Range:
-20°C to +90°C

Skew (pair-to-pair): <10 ps/ft
Skew (within a pair): <5 ps/ft

EMI Performance:
FCC Class A
RoHS Compliant:
Yes

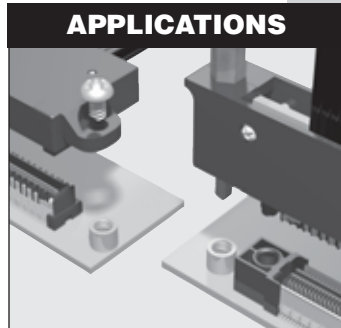
Mates with:
QMSS-DP, QFSS-DP,
QMS-DP, QFS-DP



Increased Insertion Depth

Optional Shielding

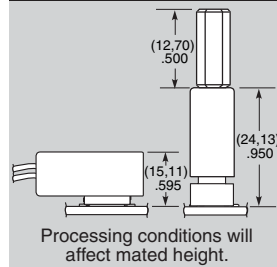
30 AWG
Eye Speed™ MS
twinax ribbon cable



APPLICATIONS

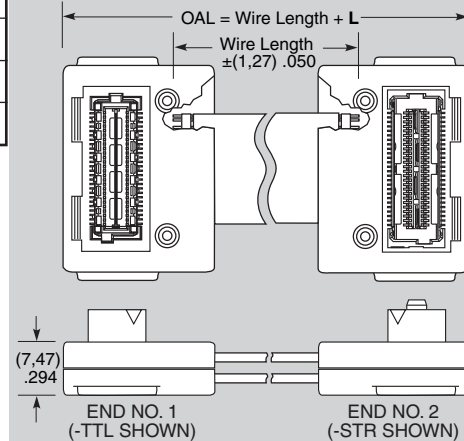
Cable Length	Rated @ -3dB Insertion Loss
	6QDPS
6" (152,4mm)	4.0 GHz / 8.0 Gbps
12" (304,8mm)	3.72 GHz / 7.44 Gbps
19.68" (0,5m)	1.38 GHz / 2.76 Gbps
39.37" (1m)	1.04 GHz / 2.08 Gbps

APPLICATIONS



TYPE	NO. OF PAIRS	WIRE LENGTH	END NO. 1	END NO. 2	WIRING OPTION	SCREW OPTION
6QDPS = Shielded mates with QMSS-DP/QFSS-DP	-016, -032, -048, -064	- "XX.X" = Wire Length in Inches (95,3mm) 03.8" minimum	Specify END ASSEMBLIES from chart		-1 = Pin 1 to Pin 1 -2 = Pin 1 to Pin 2 -3 = Pin 1 to Second Last Pin -4 = Pin 1 to Last Pin	Leave blank for no Screw Option -F = End No. 1 -S = End No. 2 -B = Both Ends

END TO END	L
Surface Mount to Surface Mount	(23,88) .940
Surface Mount to Edge Mount (Terminal)	(21,08) .830
Surface Mount to Edge Mount (Socket)	(20,35) .801
Edge Mount (Terminal) to Edge Mount (Terminal)	(18,29) .720
Edge Mount (Terminal) to Edge Mount (Socket)	(17,55) .691
Edge Mount (Socket) to Edge Mount (Socket)	(16,81) .662



SURFACE MOUNT		
ASSEMBLY	END 1	END 2
-TTR = Terminal, Top, Notch Right		
-TTL = Terminal, Top, Notch Left		
-TBR = Terminal, Bottom, Notch Right		
-TBL = Terminal, Bottom, Notch Left		
-STR = Socket, Top, Notch Right		
-STL = Socket, Top, Notch Left		
-SBR = Socket, Bottom, Notch Right		
-SBL = Socket, Bottom, Notch Left		

EDGE MOUNT		
ASSEMBLY	END 1	END 2
-TEU = Terminal, Edge, Notch Up		
-TED = Terminal, Edge, Notch Down		

WIRING REQUIREMENTS	
WIRING OPTION	END OPTIONS
1 or 2	TTR, TBL, STL, SBR, TEU to TTR, TBL, STL, SBR, TED or TTL, TBR, STR, SBL, TED to TTL, TBR, STR, SBL, TEU
3 or 4	TTL, TBR, STR, SBL, TED to TTR, TBL, STL, SBR, TED or TTR, TBL, STL, SBR, TEU to TTL, TBR, STR, SBL, TEU

Note:
Cable lengths longer than 40.00" (1 meter) are not supported with S.I. test data.

Note:
Verify part number and correct wiring scheme with Samtec's Interactive Cable Builder at www.samtec.com/cable_builder/pitch.asp

Note:
This Series is non-standard, non-returnable.

Due to technical progress, all designs, specifications and components are subject to change without notice.

WWW.SAMTEC.COM