

ピンジャックボディー一体タイプ (スタイルⅧ) a  
 PIN JACKS Integrated Single Unit Type (Style VIII) a

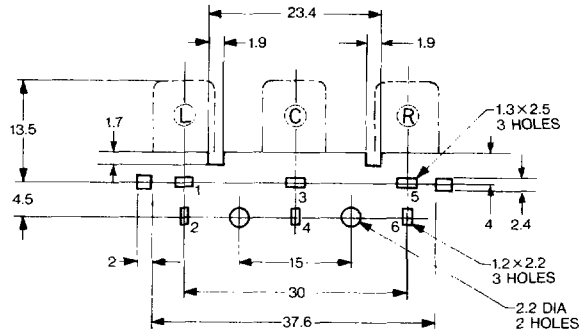
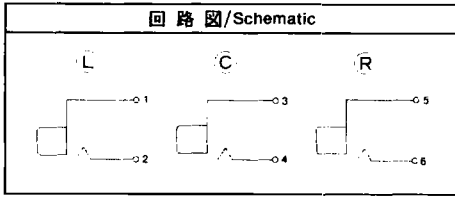
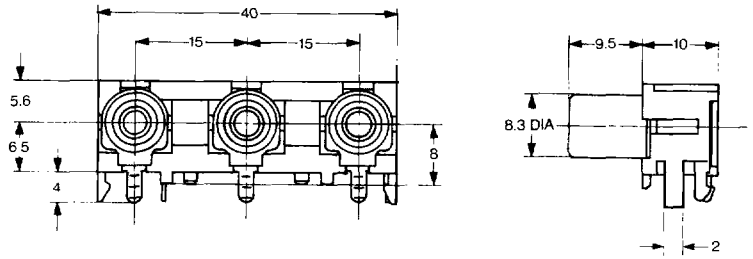
UNIT: mm

JPJ3600 series

h = 6.5 mm



JPJ3668



HOLE LAYOUT  
 (BOTTOM VIEW)

Model No. JPJ3668-01-□□□

㊟ 部色調 Pinjack color (surface ㊟)		㊤ 部色調 Pinjack color (surface ㊤)		㊦ 部色調 Pinjack color (surface ㊦)	
1	Black	1	Black	1	Black
2	Red	2	Red	2	Red
3	White	3	White	3	White
4	Yellow	4	Yellow	4	Yellow
5	Blue	5	Blue	5	Blue
6	Orange	6	Orange	6	Orange

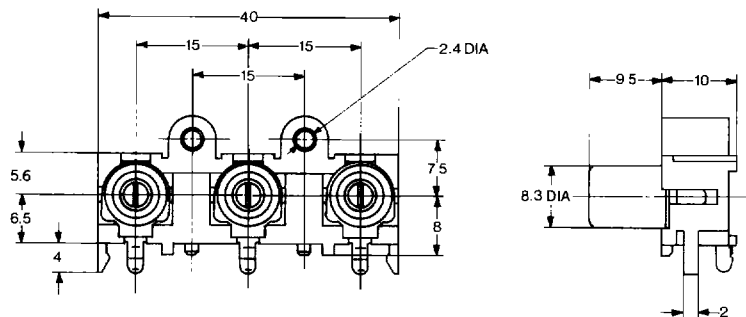
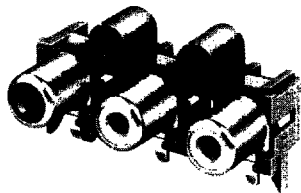
注記) それぞれのピンジャックの色調違いやスイッチの有無、Vタイプなど各種標準タイプを用意しております。別途ご相談ください。

Note) We offer various standard types including those featuring different pin jack colors, those with or without switches, and vertical types. Contact us for details.

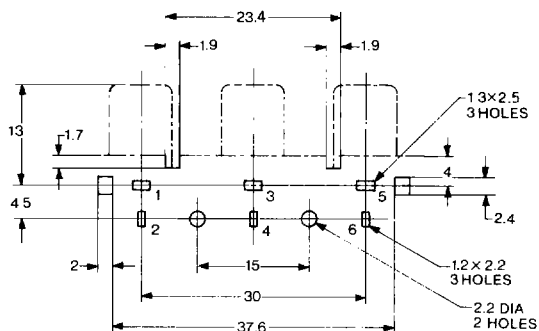
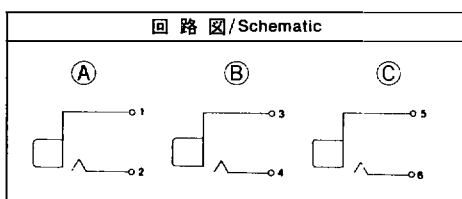
UNIT: mm

**JPJ4600 series**

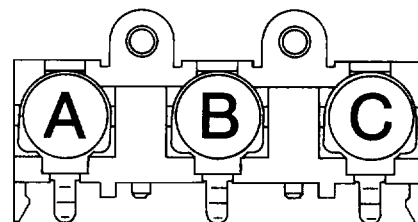
**h = 6.5 mm**



**JPJ4668**



HOLE LAYOUT (BOTTOM VIEW)



適用例/Example

Model No. JPJ4668-01 Z

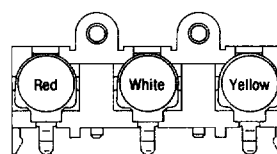
Number of Z	Pinjack Color		
	A	B	C
—	I	I	I
1	I	I	II
2	I	II	II
3	II	II	I
4	II	I	I
5	II	II	II
6	I	II	I
7	II	I	II

Color combination (I)

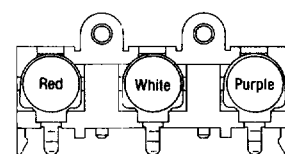
Number	Color
1	Black
2	Red
3	White
4	Yellow
5	Blue
6	Orange
7	Brown
8	Green
9	Gray

Color combination (II)

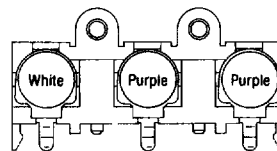
Number	Color
0	Purple



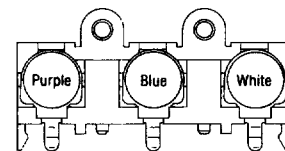
JPJ4668-01-234



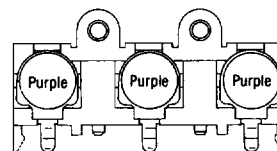
JPJ4668-011230



JPJ4668-012300



JPJ4668-014023



JPJ4668-015000

注記) それぞれのピンジャックの色調違いやスイッチの有無、Vタイプなど各種標準タイプを用意しております。別途ご相談ください。

Note) We offer various standard types including those featuring different pin jack colors, those with or without switches, and vertical types. Contact us for details.