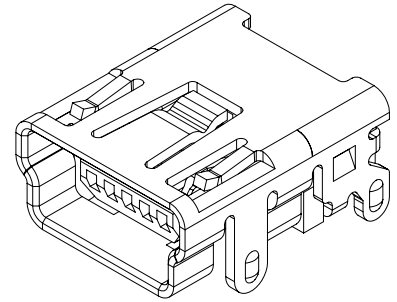
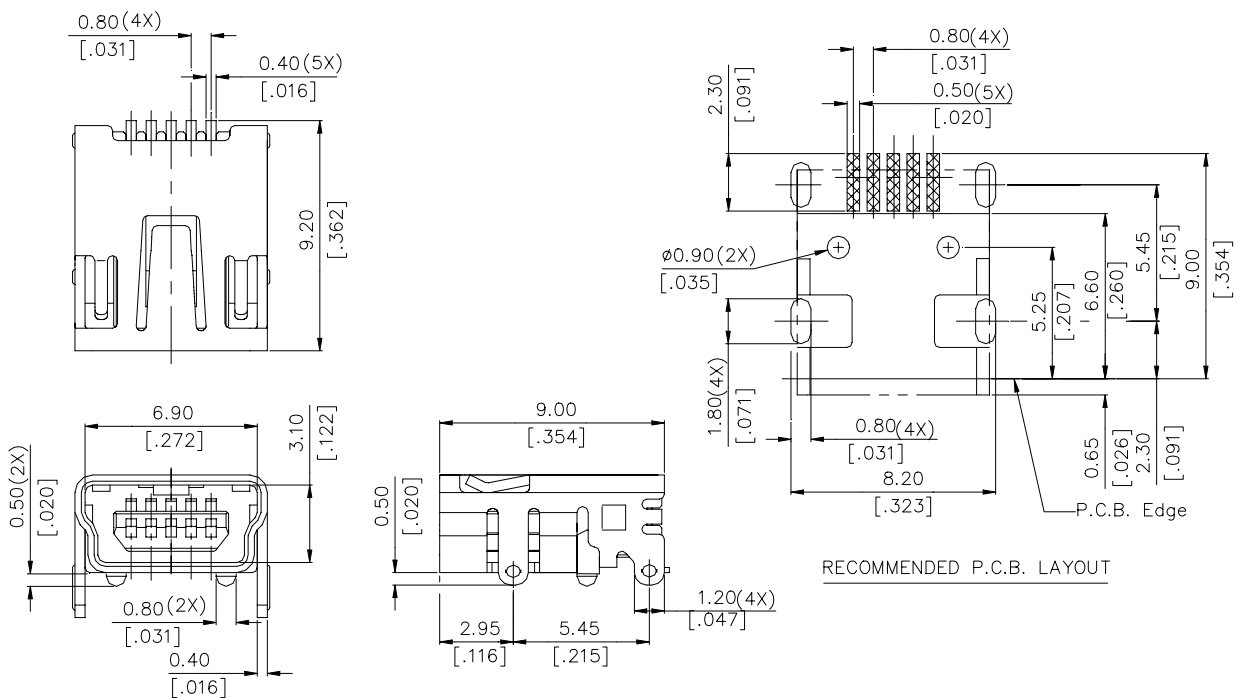


SPECIFICATIONS**Mini USB B Type Connector****Mechanical****Mating Force:** 3.5Kg (7.72Lb) max.**Unmating force:** 0.7Kg (1.54Lb) min., 0.3Kg (0.66Lb) min. After Test**Durability:** 5000 Cycles**UH Series****Right Angle Type, SMT****0.80mm [.032"] Pitch****5 Pos.****Electrical****Contact Current Rating:** 1A**Contact Resistance:** 50mΩ max.**Dielectric Withstanding Voltage:** 100Vrms AC**Insulation Resistance:** 100MΩ min. initial at 100V DC

50MΩ min. After Test at 100V DC

Physical**Housing:** Thermoplastic, UL 94V-0 rated in Ivory Color**Contact:** Copper alloy**Plating:** See "ORDERING INFORMATION"**Operating Temperature:** -30 to +75**DRAWING****ORDERING INFORMATION****PRODUCT NO.:**

Series Prefix	UH	5	1	5	4	3	-H8-7	F	Lead Free Code
Mini Usb									Package Code
Termination Type									7=Tape&Reel
5=SMT									Extension Code
Contact Design Type									Contact Area Plating
1=Female									3=30μ" Gold
No.Of Contact Pos.									Profile Height
5= 5 Pos.									4=3.95mm