



N Female to 7/16 DIN Male Adapter With Knurl

TECHNICAL DATA SHEET

PE9179A

N Female to 7/16 DIN Male Adapter With Knurl

Configuration

Connector 1	N Female
Impedance 1	50 Ohms
Connector Specification 1	MIL-STD-348A
Connector 2	7/16 DIN Male
Impedance 2	50 Ohms
Connector Specification 2	IEC 169-4
Adapter Design	Standard
Body Style	Straight

Electrical Specifications

Frequency Range, GHz	DC to 7.5
Maximum VSWR	1.3:1
Maximum Operating Voltage, Volts	1,000
Dielectric Withstanding Voltage, Vrms	2,500

Mechanical Specifications

Temperature

Operating Range, deg C	-55 to +155
------------------------	-------------

Size

Length, in [mm]	1.634 [41.5]
Width/Dia., in [mm]	1.26 [32]

Connector 1

Type	N Female
Inner Conductor Material and Plating	Beryllium Copper, Gold
Inner Conductor Plating Specification	30µ in. minimum
Body Material and Plating	Brass, Nickel
Body Plating Specification	100µ in. minimum
Dielectric Type	Teflon

Connector 2

Type	7/16 DIN Male
Inner Conductor Material and Plating	Brass, Gold
Inner Conductor Plating Specification	30µ in. minimum
Coupling Nut Material and Plating	Brass, Nickel
Coupling Nut Plating Specification	100µ in. minimum
Body Material and Plating	Brass, Nickel
Body Plating Specification	100µ in. minimum
Dielectric Type	Teflon

Click the following link (or enter part number in "SEARCH" on website) to obtain additional part information including price, inventory and certifications: [N Female to 7/16 DIN Male Adapter With Knurl PE9179A](#)

The information contained in this document is accurate to the best of our knowledge and representative of the part described herein. It may be necessary to make modifications to the part and/or the documentation of the part, in order to implement improvements. Pasternack reserves the right to make such changes as required. Unless otherwise stated, all specifications are nominal.



N Female to 7/16 DIN Male Adapter With Knurl

TECHNICAL DATA SHEET

PE9179A

Compliance Certifications (visit www.Pasternack.com for current document)

RoHS Compliant

Yes

Plotted and Other Data

Notes:

Values at 25 °C, sea level

N Female to 7/16 DIN Male Adapter With Knurl from Pasternack Enterprises has same day shipment for domestic and International orders. Our RF, microwave and fiber optic products maintain a 99% availability and are part of the broadest selection in the industry.

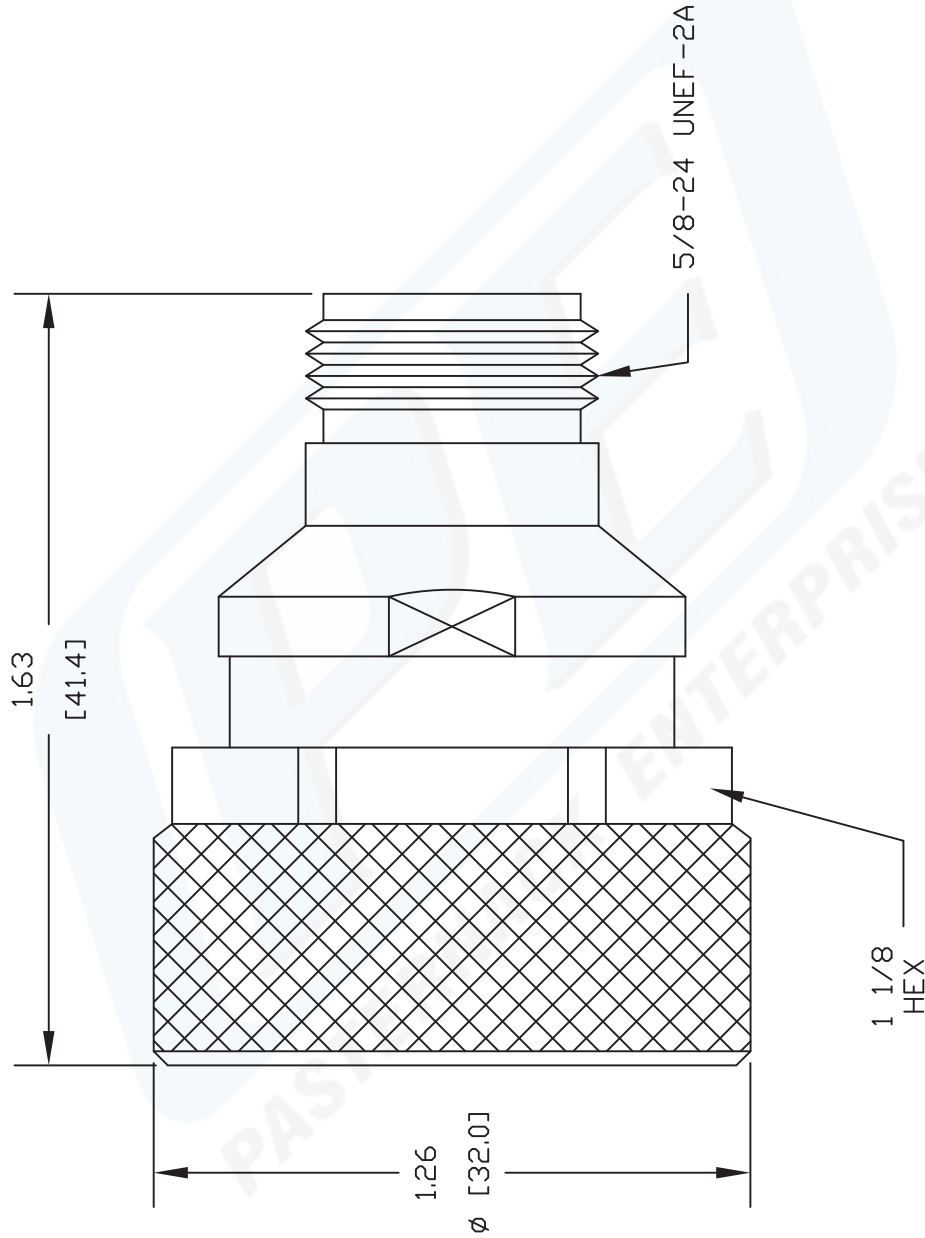
Click the following link (or enter part number in "SEARCH" on website) to obtain additional part information including price, inventory and certifications: [N Female to 7/16 DIN Male Adapter With Knurl PE9179A](#)

URL: <http://www.pasternack.com/n-female-7-16-din-male-straight-adapter-pe9179a-p.aspx>

The information contained in this document is accurate to the best of our knowledge and representative of the part described herein. It may be necessary to make modifications to the part and/or the documentation of the part, in order to implement improvements. Pasternack reserves the right to make such changes as required. Unless otherwise stated, all specifications are nominal.

PE9179A CAD Drawing

N Female to 7/16 DIN Male Adapter With Knurl



NOTES:
 1. UNLESS OTHERWISE SPECIFIED ALL DIMENSIONS ARE NOMINAL.
 2. ALL SPECIFICATIONS ARE SUBJECT TO CHANGE WITHOUT NOTICE AT ANY TIME.
 3. DIMENSIONS ARE IN INCHES [mm].

DWG TITLE
PE9179A

PASTERNAK ENTERPRISES, INC.
 P O BOX 16759, IRVINE, CA 92623
 PHONE (949) 261-1920 FAX (949) 261-7451
 WEB ADDRESS: www.pasternack.com
 E-MAIL ADDRESS: sales@pasternack.com
COAXIAL & FIBER OPTICS



REV. -	FSCM NO. 53919	CAD FILE 032911	SCALE N/A	SIZE A	127
--------	----------------	-----------------	-----------	--------	-----