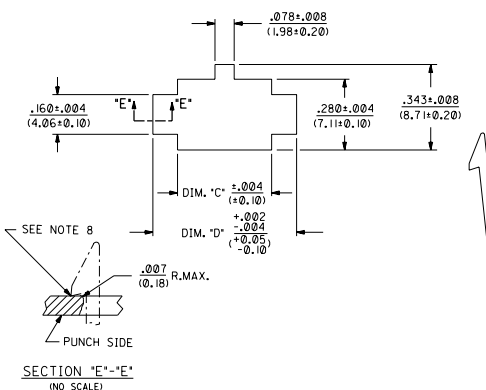
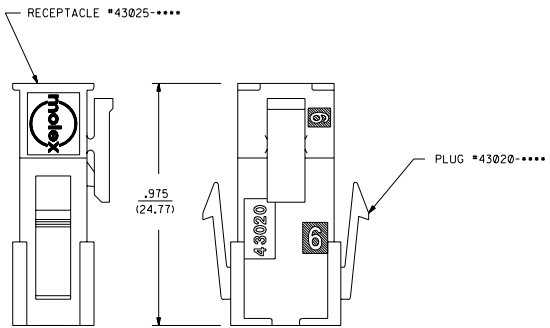


ASSEMBLY ITEM NUMBER	PART CHARACTERISTICS	
	NUMBER OF POSITION	PANEL MOUNT OPTION
43020-0200	02	YES
43020-0201	02	NO
43020-0400	04	YES
43020-0401	04	NO
43020-0600	06	YES
43020-0601	06	NO
43020-0800	08	YES
43020-0801	08	NO
43020-1000	10	YES
43020-1001	10	NO
43020-1200	12	YES
43020-1201	12	NO
43020-1400	14	YES
43020-1401	14	NO
43020-1600	16	YES
43020-1601	16	NO
43020-1800	18	YES
43020-1801	18	NO
43020-2000	20	YES
43020-2001	20	NO
43020-2200	22	YES
43020-2201	22	NO
43020-2400	24	YES
43020-2401	24	NO

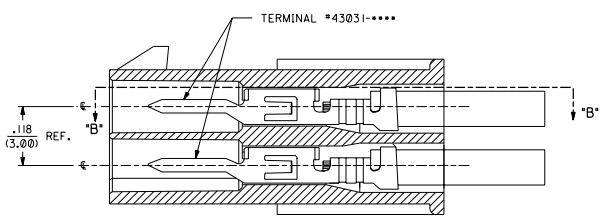
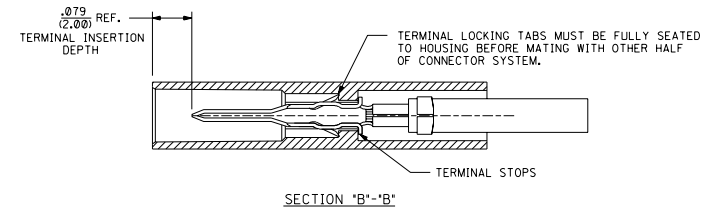
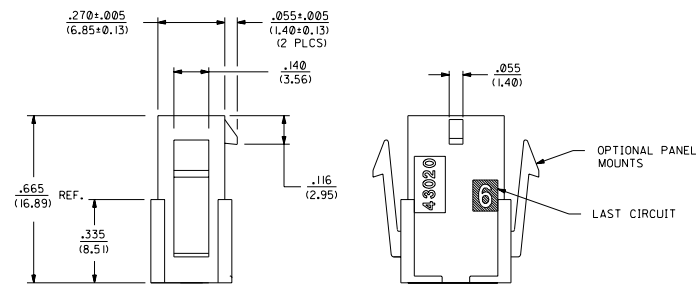
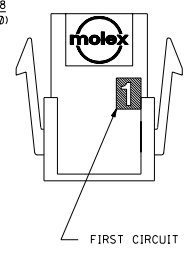
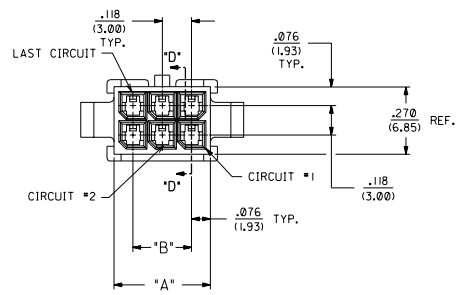
CKT. NO.	DIM. "A"	DIM. "B"	DIM. "C"	DIM. "D"
2	.152/(3.86)	N/A	.166/(4.21)	.311/(7.90)
4	.270/(6.85)	.118/(3.00)	.284/(7.21)	.429/(10.90)
6	.388/(9.85)	.236/(6.00)	.402/(10.21)	.547/(13.89)
8	.506/(12.85)	.354/(9.00)	.520/(13.21)	.665/(16.89)
10	.624/(15.85)	.472/(12.00)	.638/(16.21)	.783/(19.89)
12	.742/(18.85)	.591/(15.00)	.756/(19.21)	.901/(22.89)
14	.860/(21.85)	.709/(18.00)	.874/(22.20)	1.019/(25.88)
16	.978/(24.85)	.827/(21.00)	.992/(25.20)	1.137/(28.88)
18	1.096/(27.85)	.945/(24.00)	1.110/(28.20)	1.255/(31.88)
20	1.215/(30.85)	1.063/(27.00)	1.229/(31.22)	1.373/(34.87)
22	1.333/(33.85)	1.181/(30.00)	1.347/(34.22)	1.491/(37.87)
24	1.451/(36.85)	1.299/(33.00)	1.465/(37.22)	1.609/(40.87)



RECOMMENDED PANEL CUT-OUT

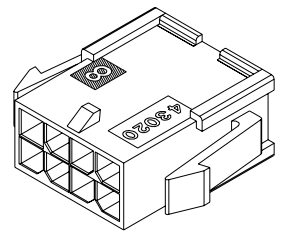


MATED MICRO-FIT CONNECTOR



SECTION "D"-"D" WITH TERMINAL (SCALE: 8X)

- NOTES:
- 1) HOUSING MATERIAL: UNFILLED POLYESTER (PBT), UL94V-0, COLOR - BLACK.
 - 2) THIS HOUSING MATES WITH MICRO-FIT RECEPTACLE #43025-****.
 - 3) THIS HOUSING IS DESIGNED IN METRIC.
 - 4) THIS HOUSING TO BE USED WITH MOLEX MALE TERMINAL #43031-****.
 - 5) DESIGNED FOR .055/(1.4) MINIMUM TO A .100/(2.54) MAXIMUM THICK PANEL OR PRINTED CIRCUIT BOARDS.
 - 6) SEE SECTION "D"-"D" FOR TERMINAL ORIENTATION IN HOUSING.
 - 7) PRODUCT SPECIFICATION : PS-43045
 - 8) PANEL MOUNT FEATURES MUST LOCK ON SIDE OPPOSITE PUNCH SIDE FOR OPTIMUM RETENTION.



PLUG WITH OPTIONAL PANEL MOUNTS ISO VIEW (8 CIRCUIT SHOWN)

DIMENSIONS SHOWN METRIC INCH		MFG. SH.	REV.	LTR.	REVISIONS
UNLESS OTHERWISE SPECIFIED ALL DIMENSIONS ARE TO BE HONORED					
TITLE: MICRO-FIT (3.0) 2 THRU 24 CIRCUIT PLUG WITH OPTIONAL PANEL MOUNTS					
DRAWN: MFG. AND LABEL MUST BEADY WITH DIMENSIONS					
DATE: 08/22/93					
BY: RAS					
SCALE: 4:1					
MATERIAL: BAP					
FINISH: SEE CHART					
MATERIAL: SDA-43020-****					
MATERIAL: CP D					

E	REV LATCH HOOKS UCP2204-1810 03/17/04 MUELLER
D	REV LATCH HOOKS UCR2002-0480 01/11/20 MUELLER