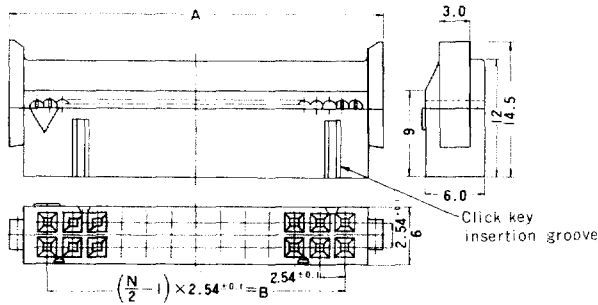


STANDARD TYPE FEMALE CONNECTOR FOR FLAT CABLE

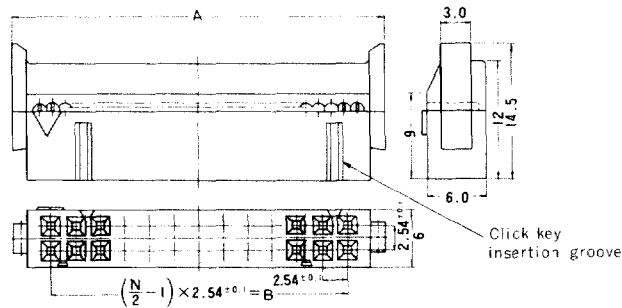
Part No. (Ordering No.)
MFC-()RFC

Series prefix
Number of contacts
With cable relief
(Blank: Without cable relief)
Female connector
Closed end type (Blank: through end type)

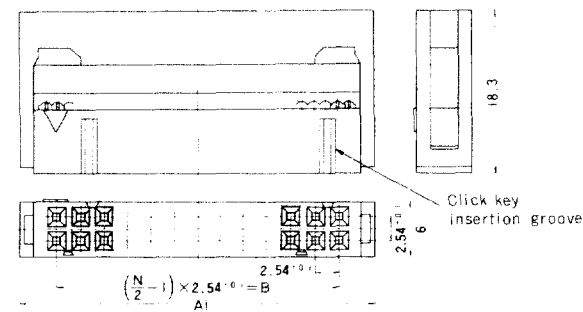
MFC-()F



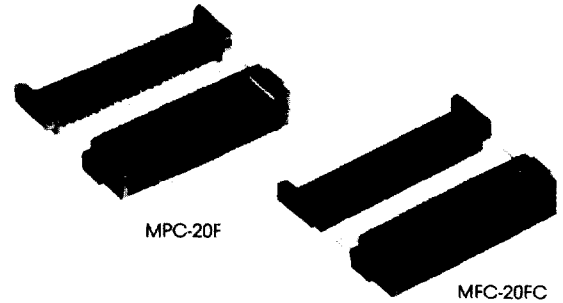
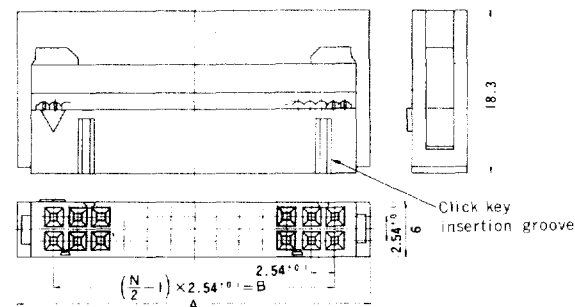
MFC-()FC



MFC-()RF

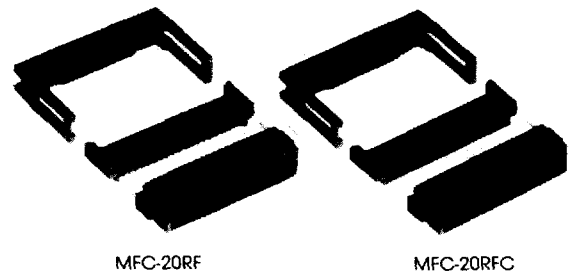


MFC-()RFC



Part No.	A	B
MFC-10F, FV, FC, FCV	17.27	10.16
* MFC-14F, FV, FC, FCV	22.4	15.24
MFC-16F, FV, FC, FCV	24.89	17.78
MFC-20F, FV, FC, FCV	30.0	22.86
MFC-26F, FV, FC, FCV	37.6	30.48
* MFC-30F, FV, FC, FCV	42.7	35.56
MFC-34F, FV, FC, FCV	47.8	40.64
MFC-40F, FV, FC, FCV	55.4	48.26
MFC-50F, FV, FC, FCV	68.1	60.96
MFC-60F, FV, FC, FCV	80.8	73.66
* MFC-64F, FV, FC, FCV	85.9	78.74

* : planning stage



Part No.	A	B
MFC-10RF, RFV, RFC, RFCV	17.27	10.16
* MFC-14RF, RFV, RFC, RFCV	22.4	15.24
MFC-16RF, RFV, RFC, RFCV	24.89	17.78
MFC-20RF, RFV, RFC, RFCV	30.0	22.86
MFC-26RF, RFV, RFC, RFCV	37.6	30.48
* MFC-30RF, RFV, RFC, RFCV	42.7	35.56
MFC-34RF, RFV, RFC, RFCV	47.8	40.64
MFC-40RF, RFV, RFC, RFCV	55.4	48.26
MFC-50RF, RFV, RFC, RFCV	68.1	60.96
MFC-60RF, RFV, RFC, RFCV	80.8	73.66
* MFC-64RF, RFV, RFC, RFCV	85.9	78.74

* : planning stage

10-contacts connector has no groove for click key insertion.