

PB-5 Series 0.5mm Spacing



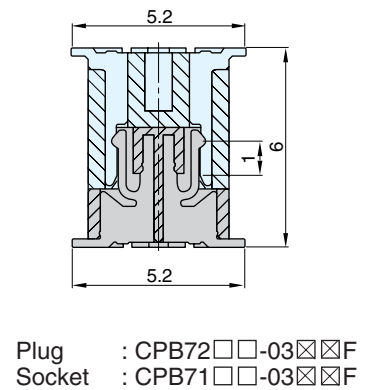
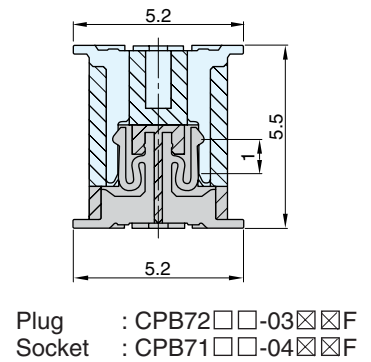
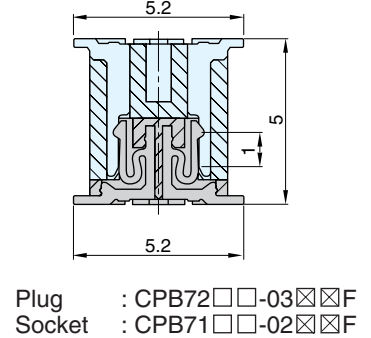
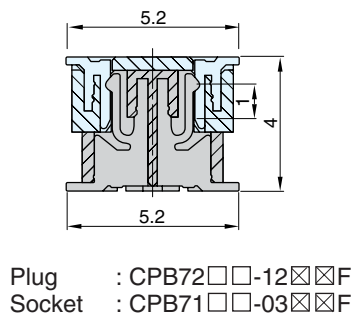
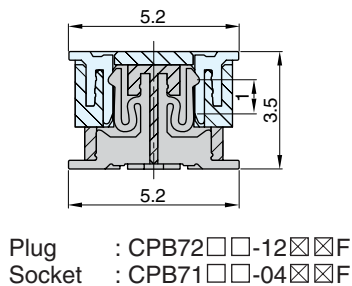
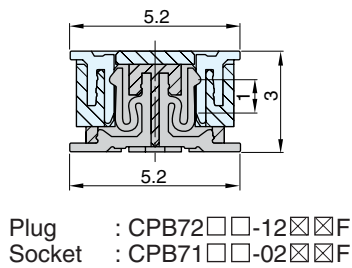
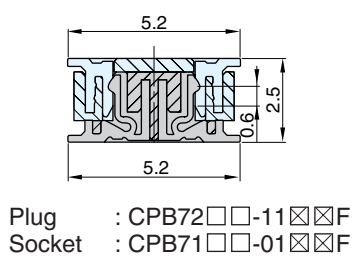
Features

- 0.5mm spacing board-to-board connector with SMT provision.
- Variety of 7 stacking heights from 2.5mm to 6.0mm available.
- Use of hold down ensures high degree solder strength.
- With choices of 20p to 100p, most suitable for high density surface mounting.
- Compact design yet a sufficient suction area provided.

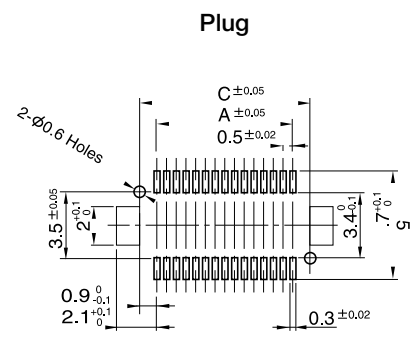
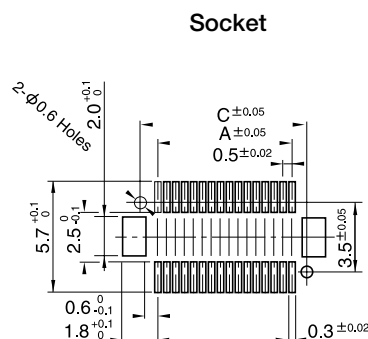
Specifications

- Rating : 0.5A, 50V AC/DC (up to 40Poles)
0.3A, 50V AC/DC (up to 100Poles)
- Contact Resistance : 30mΩ, max.
- Insulation Resistance : 100MΩ, min.at 100V DC
- Withstanding Voltage : 100V AC for one minute
- Operating Temperature Range : -40°C to +85°C

Connection Diagram



P.C. Board Dimension



Board to Board Connector

PB-5 Series

- Socket CPB 71□□-01☒☒ F(S Type)
- CPB 71□□-02☒☒ F(M Type)
- CPB 71□□-03☒☒ F(H Type)
- CPB 71□□-04☒☒ F(C Type) (30,40,60P)

↑ No. of Pins

No. of Pins	□□	A	B	C	D	E
20	20	4.5	5.89	6.3	6.9	7.8
30	30	7.0	8.39	8.8	9.4	10.3
40	40	9.5	10.89	11.3	11.9	12.8
50	50	12.0	13.39	13.8	14.4	15.3
60	60	14.5	15.89	16.3	16.9	17.8
70	70	17.0	18.39	18.8	19.4	20.3
80	80	19.5	20.89	21.3	21.9	22.8
100	91	24.5	25.89	26.3	26.9	27.8

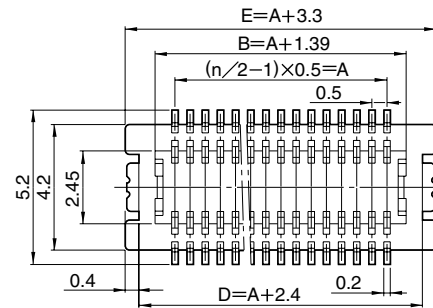
↑ Boss Pitch

Material and Plating

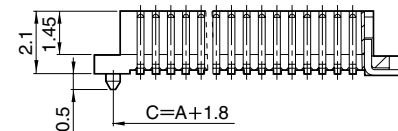
- Housing : Liquid Crystal Polymer (LCP), Natural Color, 94V-0
- Contact : Phosphor Bronze, Au Plating
- Hold Down : Phosphor Bronze, Sn Plating

Variation

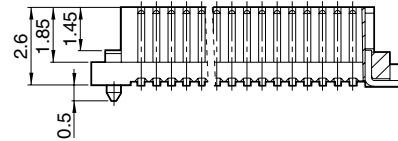
☒☒	Hold Down	Boss
00	Without	Without
01	Without	With
10	With	Without
11	With	With



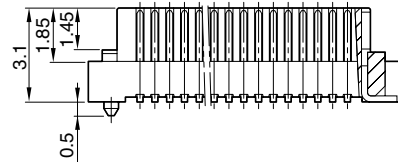
S Type



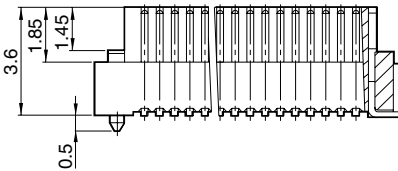
M Type



C Type



H Type



- Plug CPB 72□□-11☒☒ F(S Type)
- CPB 72□□-12☒☒ F(M Type)
- CPB 72□□-03☒☒ F(H Type)

↑ No. of Pins

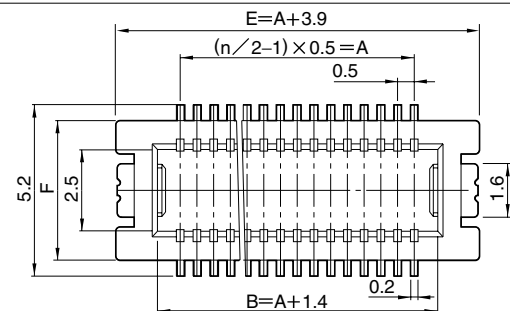
No. of Pins	□□	A	B	C	D	E
20	20	4.5	5.9	6.3	7.3	8.4
30	30	7.0	8.4	8.8	9.8	10.9
40	40	9.5	10.9	11.3	12.3	13.4
50	50	12.0	13.4	13.8	14.8	15.9
60	60	14.5	15.9	16.3	17.3	18.4
70	70	17.0	18.4	18.8	19.8	20.9
80	80	19.5	20.9	21.3	22.3	23.4
100	91	24.5	25.9	26.3	27.3	28.4

↑ Boss Pitch

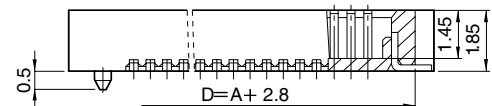
Material and Plating

- Housing : Polyamide (PA), Natural Color, 94V-0
- Contact : Phosphor Bronze, Au Plating
- Hold Down : Phosphor Bronze, Sn Plating

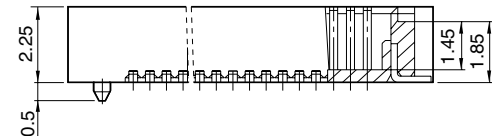
Type	F
S, M	4.8
H	4.2



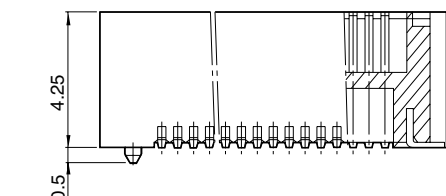
S Type



M Type

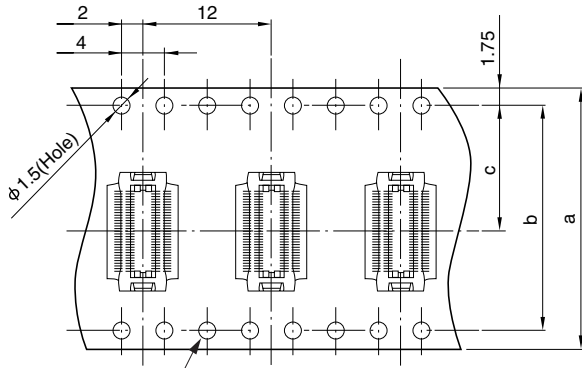


H Type



Dimensions of Reels and Tapes (JIS Standard)

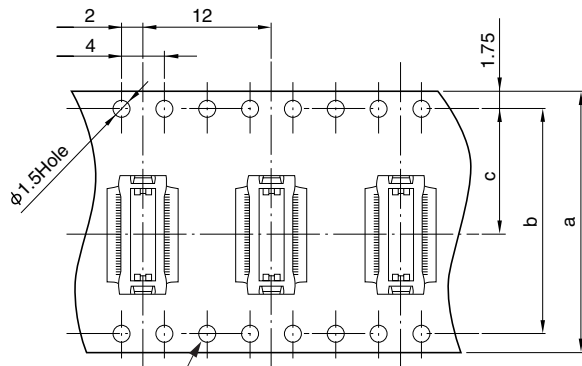
● Socket



No hole : 20~50P
With hole : 60~100P

No. of Pins	□□	a	b	c
20	20	16.0	7.5	7.5
30	30			
40	40			
50	50	24.0	11.5	11.5
60	60			
70	70	32.0	28.4	14.2
80	80			
100	91	44.0	40.4	20.2

● Plug



No hole : 20~50P
With hole : 60~100P

No. of Pins	□□	a	b	c
20	20	16.0	7.5	7.5
30	30			
40	40			
50	50	24.0	11.5	11.5
60	60			
70	70	32.0	28.4	14.2
80	80			
100	91	44.0	40.4	20.2

■ Reel Dimension
1,000pcs/reel

(Socket, Plug)

