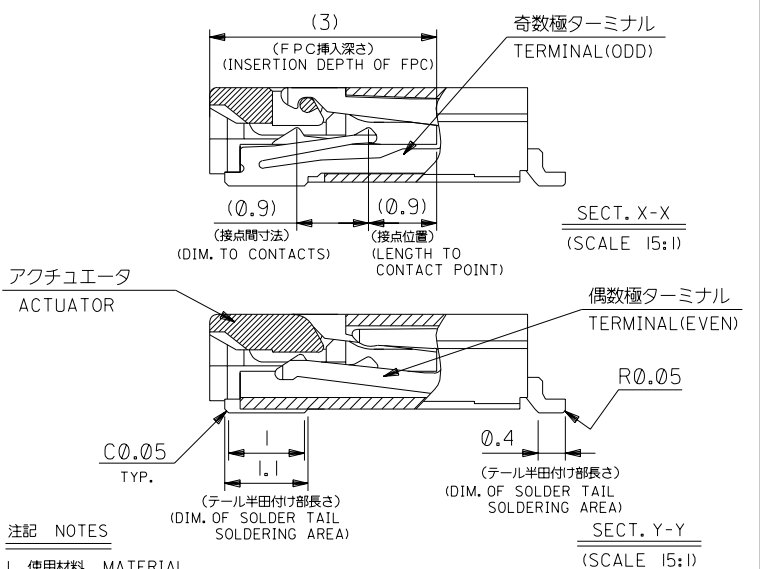
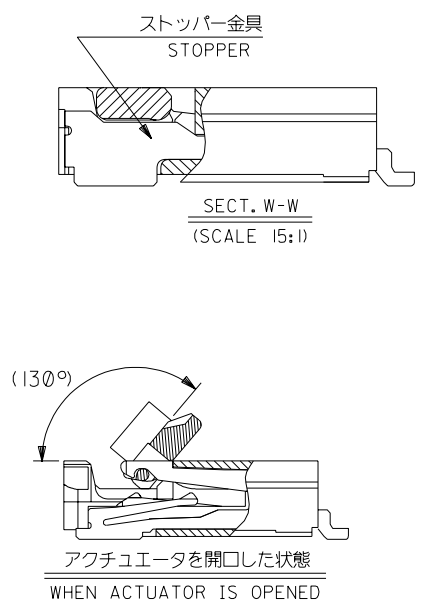
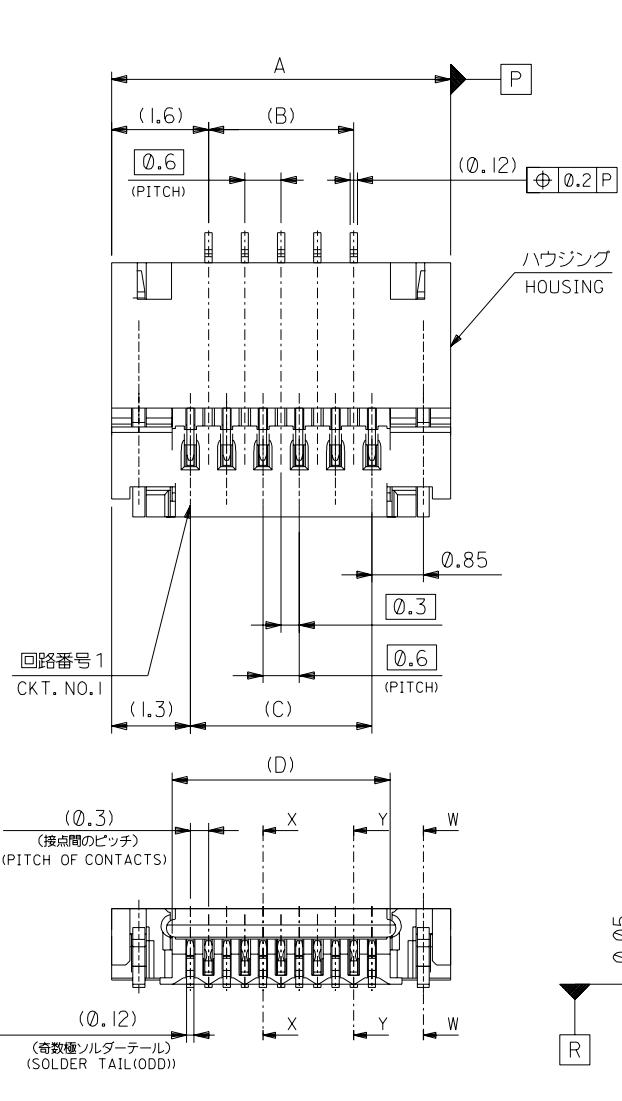


DO NOT SCALE DRAWING

DWG. NO. SD-54809-028



注記 NOTES

1. 使用材料 MATERIAL
 ハウジング HOUSING: LCP, UL94V-0
 アクチュエータ ACTUATOR: PPS, UL94V-0
 ターミナル TERMINAL: リン青銅 (t=0.12), ニッケル下地, 金メッキ PHOSPHOR BRONZE, GOLD OVER NICKEL PLATING.
 金具 STOPPER: リン青銅 (t=0.2), 銅下地, 半田メッキ PHOSPHOR BRONZE, Sn-Pb OVER COPPER PLATING.

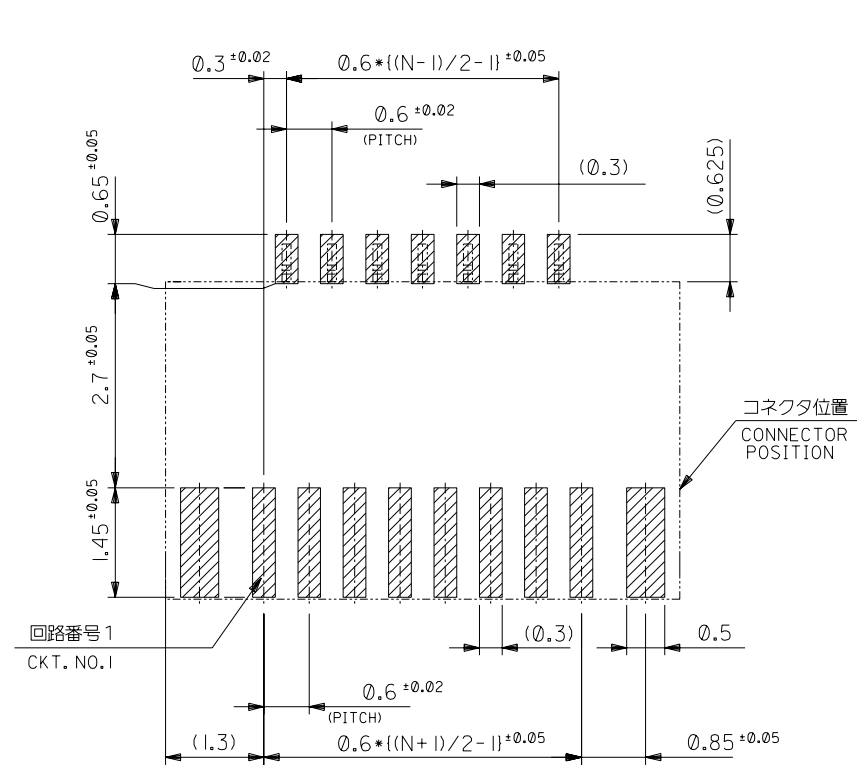
2. ソルダーテール半田付け面のズレ量は、基準面 R に対し、上方向 OMAX, 下方向 O, 1MAXIMUMとする。又、相互のパラツキ量は、0.1MAXIMUMとする。
 MISALIGNMENT OF SOLDER TAILS AND FITTING NAILS FROM R
 UPPER DIRECTION: 0 MAX., LOWER DIRECTION: 0.1 MAXIMUM
 OFFSET BETWEEN SOLDER TAILS AND FITTING NAILS: 0.1 MAXIMUM

3. 一般公差: ±0.3
 GENERAL TOLERANCES: ±0.3

13.8	13.2	12.6	15.8	54809-4547	45
12.0	11.4	10.8	14.0	54809-3947	39
10.8	10.2	9.6	12.8	54809-3547	35
10.2	9.6	9.0	12.2	54809-3347	33
9.6	9.0	8.4	11.6	54809-3147	31
8.4	7.8	7.2	10.4	54809-2747	27
7.8	7.2	6.6	9.8	54809-2547	25
6.6	6.0	5.4	8.6	54809-2147	21
6.0	5.4	4.8	8.0	54809-1947	19
4.8	4.2	3.6	6.8	54809-1547	15
3.6	3.0	2.4	5.6	54809-1147	11
D	C	B	A	MATERIAL NO.	CKT.

EC NO. DRWN: CH'K: APPR:		EC NO. DRWN: CH'K: APPR:		EC NO. DRWN: CH'K: APPR:		REVISED '02/11/28 EC NO. J2003-1466 DRWN: M.HAYASHI CH'K: S.KUNISHI APPR: T.YAMAGUCHI		RELEASED EC NO. J2003-0296 DRWN: R.SUMIYA '02/07/30 CH'K: S.KUNISHI APPR: T.YAMAGUCHI		MATERIAL 材料 注記参照 SEE NOTES		GENERAL TOLERANCES: (UNLESS SPECIFIED) 一般公差		54809-028.S01		MODEL NO. THIRD ANGLE PROJECTION		DIMENSIONS: mm INCH		SHT REV	
						A		0		FINISH 仕上げ //		10 UNDER 未油 ±0.2		DRAWN BY & DATE R.SUMIYA '02/07/30		TITLE: 0.3 FPC Conn E/O Hsg Assy GOLD PLATING (H=1.3)		MOLEX MOLEX INCORPORATED		REVISION ON CAD ONLY	
										WIRE RANGE 適用層線範囲 //		10 OVER 以上 ±0.25		CHECKED BY & DATE S.KUNISHI '02/11/28							
										INS. RANGE 被覆外径 //		30 UNDER 未油 ±0.3		APPROVED BY & DATE T.YAMAGUCHI '02/11/28		MATERIAL NO. SEE CHART		DRAWING NO. SD-54809-028		SHEET NO. 1 OF 2	
										ANGLE 角度 ±3°				CAD FILENAME SD-54809-028.S01						THIS DRAWING CONTAINS INFORMATION THAT IS PROPRIETARY TO MOLEX INCORPORATED AND SHOULD NOT BE USED WITHOUT WRITTEN PERMISSION.	

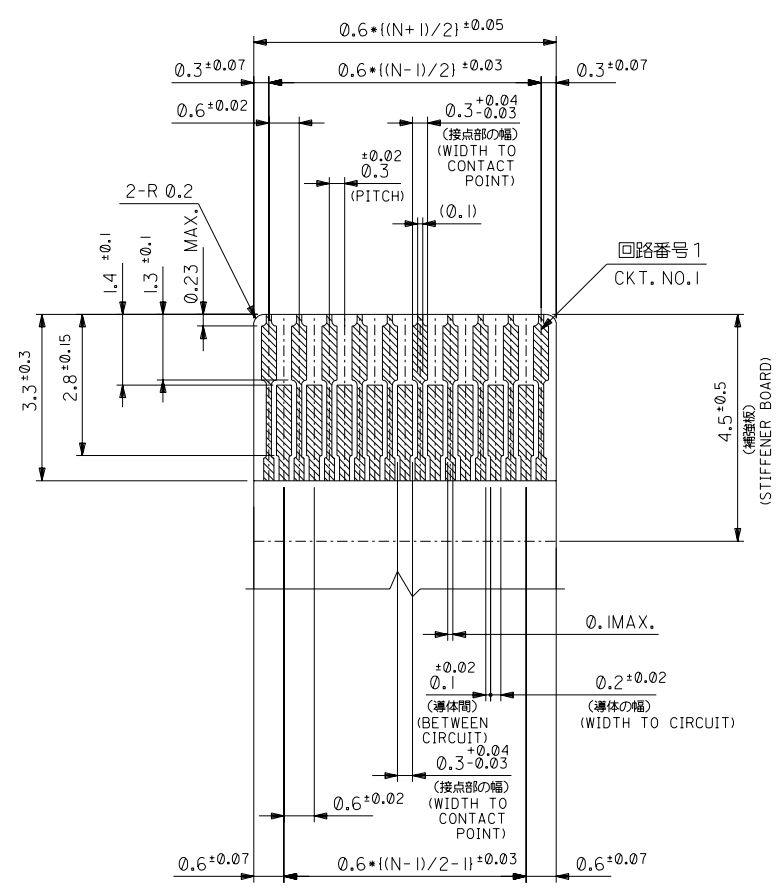
SD-54809-028.S01



F P.C.挿入側
FPC INSERTION SIDE

参考基板レイアウト
RECOMMENDED P.C.BOARD
PATTERN DIM. (REF.)

(マウント面)
MOUNTING SIDE



適合FPC推奨寸法
APPLICABLE FPC
RECOMMENDED DIM.

(仕上がり厚さ: 0.2 ± 0.03)
(THICKNESS: 0.2 ± 0.03)

DO NOT SCALE DRAWING

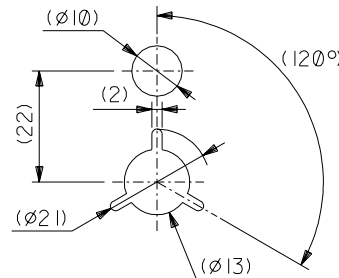
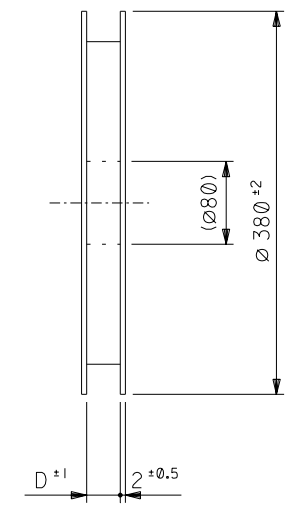
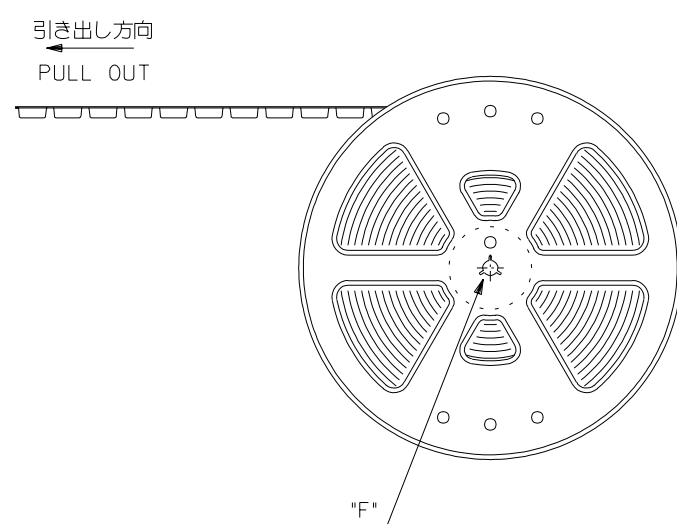
EC NO. DRWN: CHK: APPR:	EC NO. DRWN: CHK: APPR:	EC NO. DRWN: CHK: APPR:	REVISED '02/11/28	MATERIAL 材料	注記参照 SEE NOTES	GENERAL TOLERANCES: (UNLESS SPECIFIED) 一般公差	SCALE //	DESIGN UNITS <input checked="" type="checkbox"/> mm <input type="checkbox"/> INCH	THIRD ANGLE PROJECTION	DIMENSIONS: <input type="checkbox"/> mm <input type="checkbox"/> INCH <input checked="" type="checkbox"/> mm ONLY	SHT REVISE ON CAD ONLY	REV
			EC NO. J2003-1466 DRWN: MAHAYASHI CHK: S.KUNISHI APPR: T.YAMAGUCHI									
A	0	0	RELEASED	FINISH 仕上げ	//	10 UNDER 未満	±0.2	DRAWN BY & DATE R.SUMIYA '02/07/30	TITLE: 0.3 FPC Conn E/O Hsg Assy GOLD PLATING (H=1.3)	MATERIAL NO. SEE CHART	DRAWING NO. SD-54809-028	SHEET NO. 2 OF 2
			EC NO. J2003-0296 DRWN: R.SUMIYA '02/07/30 CHK: S.KUNISHI APPR: T.YAMAGUCHI									
				WIRE RANGE 適用層線範囲	//	10 OVER 30 UNDER 未満	±0.25	CHECKED BY & DATE S.KUNISHI '02/11/28	MOLEX MOLEX INCORPORATED			
				INS. RANGE 被覆外径	//	30 OVER 以上	±0.3	APPROVED BY & DATE T.YAMAGUCHI '02/11/28				
						ANGLE 角度	±3°	CAD FILENAME SD-54809-028.S02				

THIS DRAWING CONTAINS INFORMATION THAT IS PROPRIETARY TO MOLEX INCORPORATED AND SHOULD NOT BE USED WITHOUT WRITTEN PERMISSION.

DO NOT SCALE DRAWING

DWG. NO. SD-54809-029

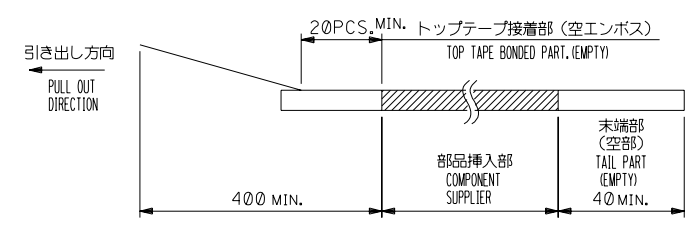
8 7 6 5 4 3 2 1



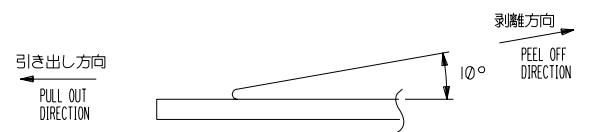
DETAIL "F"

注記 NOTES

- 製品詳細寸法については、図面SD-54809-028を参照下さい。
RE DETAILED DIMENSION, SEE SD-54809-028.
- 梱包数量：2500個/リール
NUMBER OF CONNECTORS : 2500PCS/REEL
- リードテープ長さ LEAD TAPE LENGTH



- トップテープの剥離強度：0.1N~0.7N (10.2gf~71.4gf)
(剥離方向は下図参照)
尚、本規格値は出荷時に適用。(但し、輸送時に剥離が発生しないこと。)
PEELING OFF FORCE OF TOP TAPE : 0.1N ~ 0.7N(10.2gf ~ 71.4gf)
(PEELING DIRECTION AS SHOWN IN FOLLOWING FIG.)
THIS REQUIREMENT SHOULD BE APPLIED AT SHIPMENT.
PEEL OFF SHOULD NOT BE ALLOWED, DURING TRANSPORTATION.



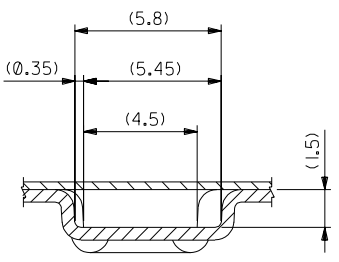
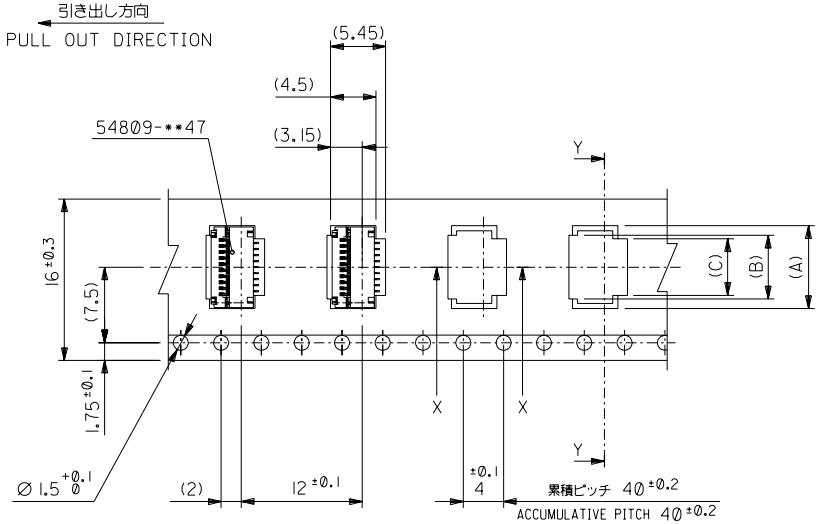
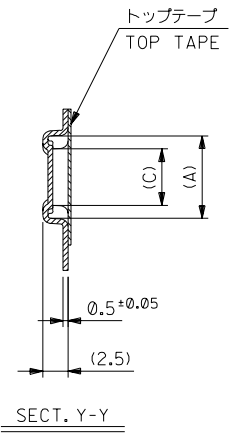
- 材料 (MATERIAL)
キャリアテープ (CARRIER TAPE) : ポリプロピレン (POLYPROPYLENE)
トップテープ (TOP TAPE) : PET, PE, PEF
リール (REEL) : ポリスチレン (PS) <リサイクル材を含む>
POLYSTYRENE(PS) <RECYCLE MATERIAL CONTAINED>

EC NO. DRAWN: CHK: APPR:		EC NO. DRAWN: CHK: APPR:		EC NO. DRAWN: CHK: APPR:		REVISED '02/11/28 EC NO. J2003-1466 DRAWN: M.HAYASHI CHK: S.KUNISHI APPR: T.YAMAGUCHI		RELEASED EC NO. J2003-0296 DRAWN: R.SUMIYA '02/07/30 CHK: S.KUNISHI APPR: T.YAMAGUCHI		MATERIAL 材料 注記参照 SEE NOTES		GENERAL TOLERANCES: (UNLESS SPECIFIED) 一般公差		54809-***93		MODEL NO.		DIMENSIONS: <input type="checkbox"/> mm <input type="checkbox"/> INCH <input checked="" type="checkbox"/> mm ONLY		SHT		REV	
						A		0		//		10 UNDER 未満 ±0.2		DRAWN BY & DATE R.SUMIYA '02/07/30		TITLE: Embstp Pkg FOR 0.3 FPC Conn E/0 GOLD PLATING (H=1.3)							
										//		10 OVER 以上 30 UNDER 未満 ±0.25		CHECKED BY & DATE S.KUNISHI '02/11/28		MOLEX		MATERIAL NO.		DRAWING NO.		SHEET NO.	
										//		30 OVER 以上 ±0.3		APPROVED BY & DATE T.YAMAGUCHI '02/11/28		SD-54809-029.S01		SD-54809-029		1 OF 3		B	
										//		ANGLE 角度 ±3°		CAD FILENAME									
										//				THIS DRAWING CONTAINS INFORMATION THAT IS PROPRIETARY TO MOLEX INCORPORATED AND SHOULD NOT BE USED WITHOUT WRITTEN PERMISSION.								EN-02J(097) MXJ-54	

SD-54809-029.S01

DWG. NO.
SD-54809-029

8 7 6 5 4 3 2 1



16mm幅キャリアテープ
16mm WIDTH CARRIER TAPE

16	17.5	6.2	6.9	8.8	54809-2193	21
		5.6	6.3	8.2	54809-1993	19
		4.4	5.1	7.0	54809-1593	15
		3.2	3.9	5.8	54809-1193	11
キャリアテープ幅 CARRIER TAPE WIDTH	D	C	B	A	MATERIAL NO.	極致 CKT.

DO NOT SCALE DRAWING

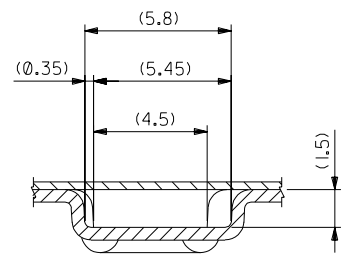
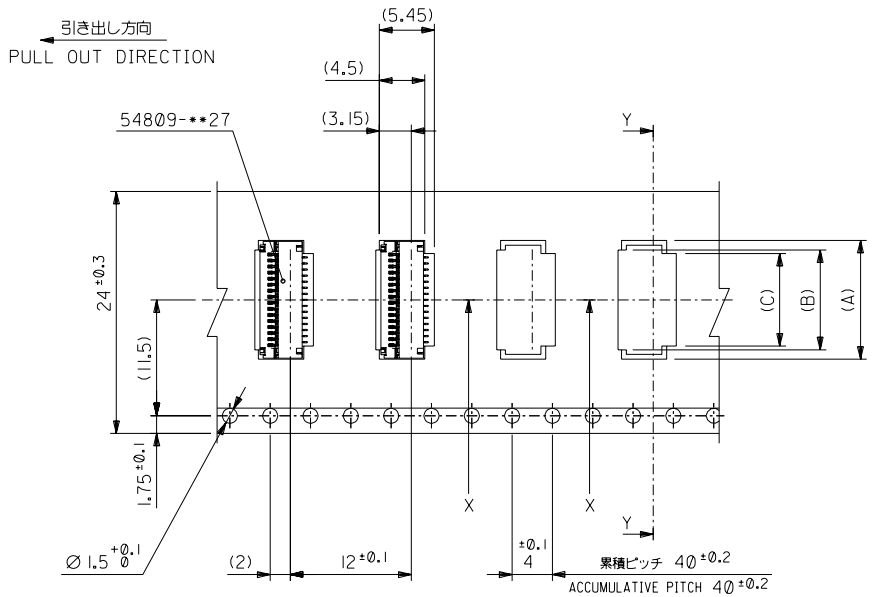
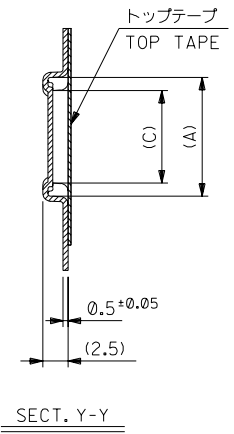
EC NO. DRWN: CHK: APPR:	EC NO. DRWN: CHK: APPR:	EC NO. DRWN: CHK: APPR:	REVISED '02/11/28 EC NO. J2003-1466 DRWN: M.HAYASHI CHK: S.KUNISHI APPR: T.YAMAGUCHI	RELEASED EC NO. J2003-0296 DRWN: R.SUMIYA '02/07/30 CHK: S.KUNISHI APPR: T.YAMAGUCHI	DESCRIPTION MATERIAL 材料 注記参照 SEE NOTES FINISH 仕上げ // WIRE RANGE 適用線径範囲 // INS. RANGE 被覆外径 //
----------------------------------	----------------------------------	----------------------------------	--	--	---

SCALE //	DESIGN UNITS <input checked="" type="checkbox"/> mm <input type="checkbox"/> INCH	MODEL NO. 54809-***93	DIMENSIONS: <input type="checkbox"/> mm <input type="checkbox"/> INCH <input checked="" type="checkbox"/> mm ONLY	SHT REV
THIRD ANGLE PROJECTION	DRAWN BY & DATE R.SUMIYA '02/07/30	TITLE: Embstp Pkg FOR 0.3 FPC Conn E/O GOLD PLATING (H=1.3)	MATERIAL NO. SEE CHART	DRAWING NO. SD-54809-029
APPROVED BY & DATE T.YAMAGUCHI '02/11/28	CAD FILENAME SD-54809-029.S02	MOLEX INCORPORATED		SHEET NO. 2 OF 3
THIS DRAWING CONTAINS INFORMATION THAT IS PROPRIETARY TO MOLEX INCORPORATED AND SHOULD NOT BE USED WITHOUT WRITTEN PERMISSION.				SIZE B

8 7 6 5 4 3 2 1 EN-02J(097) MXJ-54

SD-54809-029.S02

8 7 6 5 4 3 2 1



24mm幅キャリアテープ
24mm WIDTH CARRIER TAPE

24	25.5	13.4	14.1	16.0	54809-4593	45
		11.6	12.3	14.2	54809-3993	39
		10.4	11.1	13.0	54809-3593	35
		9.8	10.5	12.4	54809-3393	33
		9.2	9.9	11.8	54809-3193	31
		8.0	8.7	10.6	54809-2793	27
		7.4	8.1	10.0	54809-2593	25
キャリアテープ幅 CARRIER TAPE WIDTH	D	C	B	A	MATERIAL NO.	極致 CKT.

EC NO. DRWN: CHK: APPR:	EC NO. DRWN: CHK: APPR:	EC NO. DRWN: CHK: APPR:	EC NO. DRWN: CHK: APPR:
REVISED '02/11/28	EC NO. J2003-1466	DRWN: M.HAYASHI	CHK: S.KUNISHI
	DRWN: M.HAYASHI	CHK: S.KUNISHI	APPR: T.YAMAGUCHI
A	DESCRIPTION	WIRE RANGE 適用電線範囲	INS. RANGE 被覆外径

MATERIAL 材料	注記参照 SEE NOTES
FINISH 仕上げ	//
WIRE RANGE 適用電線範囲	//
INS. RANGE 被覆外径	//

GENERAL TOLERANCES: (UNLESS SPECIFIED) 一般公差	SCALE --	DESIGN UNITS <input checked="" type="checkbox"/> mm <input type="checkbox"/> INCH
10 UNDER 未満	±0.2	DRAWN BY & DATE M.HAYASHI '02/11/28
10 OVER 以上	±0.25	CHECKED BY & DATE S.KUNISHI '02/11/28
30 OVER 以上	±0.3	APPROVED BY & DATE T.YAMAGUCHI '02/11/26
ANGLE 角度	±3°	CAD FILENAME SD-54809-029.S03

54809-***93	MODEL NO.	DIMENSIONS: <input type="checkbox"/> mm <input type="checkbox"/> INCH <input checked="" type="checkbox"/> mm ONLY	SHT REV
SCALE --	THIRD ANGLE PROJECTION	REVISION ON CAD ONLY	
TITLE: Embstp Pkg FOR 0.3 FPC Conn E/O GOLD PLATING (H=1.3)			
MOLEX INCORPORATED			
MATERIAL NO. SEE CHART	DRAWING NO. SD-54809-029	SHEET NO. 3 OF 3	
THIS DRAWING CONTAINS INFORMATION THAT IS PROPRIETARY TO MOLEX INCORPORATED AND SHOULD NOT BE USED WITHOUT WRITTEN PERMISSION.			
			SIZE B