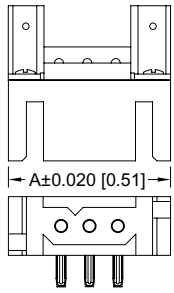
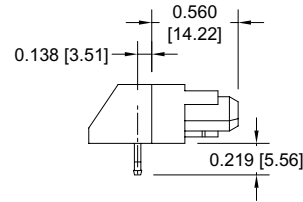
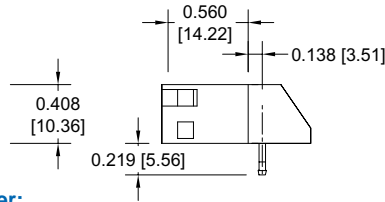




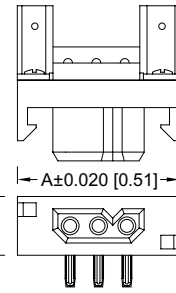
## PLA 90° PRESS-FIT CONNECTORS CODE 63, 0.219 [5.56] CONTACT EXTENSION



MALE



FEMALE



Typical part number:  
PLA03M63B30A1  
PLAH03M63B30A1

Typical part number:  
PLA03F63B30A1  
PLAH03F63B30A1

In Step 5 of Ordering Information, choose "ST2" or "ST3" to secure connector to PCB. Other options available, contact Technical Sales.

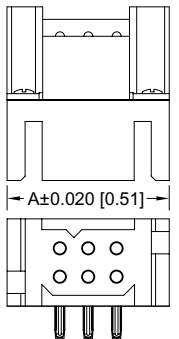
PART NUMBER	A	PART NUMBER	A
PLA03*63B30A1	1.126 [28.60]	PLA06*63B30A1	1.718 [43.64]
PLAH03*63B30A1	1.324 [33.63]	PLAH06*63B30A1	2.112 [53.64]
PLA04*63B30A1	1.324 [33.63]	PLA08*63B30A1	2.112 [53.64]
PLAH04*63B30A1	1.324 [33.63]	PLAH08*63B30A1	2.112 [53.64]

\*Asterisk determines gender of connector, M for male, F for female.

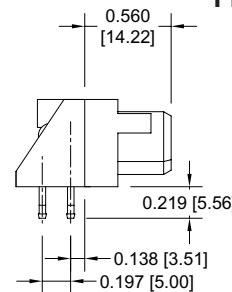
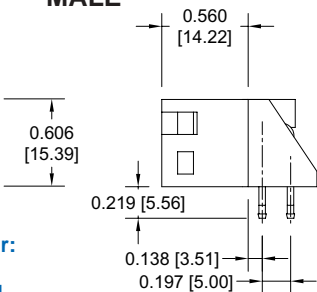
Plating-Gold flash over nickel or 0.000030 [0.75μ] gold over nickel on contacts. See ordering information.

For connection systems 1,2 and 5.

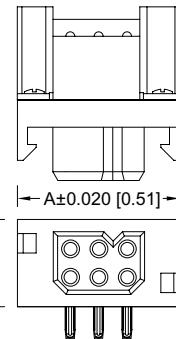
## PLB 90° PRESS-FIT CONNECTORS CODE 63, 0.219 [5.56] CONTACT EXTENSION



MALE



FEMALE



Typical part number:  
PLB06M63B30A1  
PLBH06M63B30A1

Typical part number:  
PLB06F63B30A1  
PLBH06F63B30A1

In Step 5 of Ordering Information, choose "ST2" or "ST3" to secure connector to PCB. Other options available, contact Technical Sales.

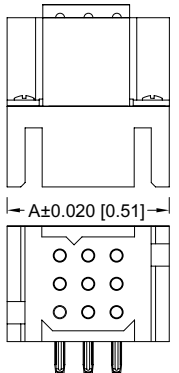
PART NUMBER	A	PART NUMBER	A
PLB06*63B30A1	1.126 [28.60]	PLB12*63B30A1	1.718 [43.64]
PLBH06*63B30A1	1.324 [33.63]	PLBH12*63B30A1	2.112 [53.64]
PLB08*63B30A1	1.324 [33.63]	PLB16**63B30A1	2.112 [53.64]
PLBH08*63B30A1	1.324 [33.63]	PLBH16**63B30A1	2.112 [53.64]

\*Asterisk determines gender of connector, M for male, F for female.

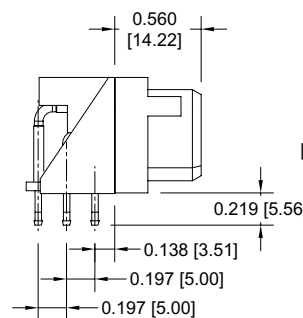
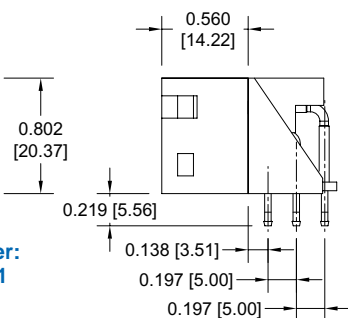
Plating-Gold flash over nickel or 0.000030 [0.75μ] gold over nickel on contacts. See ordering information.

For connection systems 1,2 and 5.

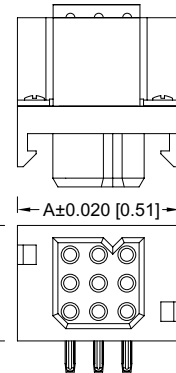
## PLC 90° PRESS-FIT CONNECTORS CODE 63, 0.219 [5.56] CONTACT EXTENSION



MALE



FEMALE



Typical part number:  
PLC09M663B30A1

Typical part number:  
PLC09F63B30A1  
PLCH09F63B30A1

In Step 5 of Ordering Information, choose "ST2" or "ST3" to secure connector to PCB. Other options available, contact Technical Sales.

PART NUMBER	A	PART NUMBER	A
PLC09*63B30A1	1.126 [28.60]	PLC24*63B30A1	2.112 [53.64]
PLCH09*63B30A1	1.324 [33.63]	PLCH24*63B30A1	2.506 [63.65]
PLC12*63B30A1	1.324 [33.63]	PLC30*63B30A1	2.506 [63.65]
PLCH12*63B30A1	1.324 [33.63]	PLCH30*63B30A1	2.506 [63.65]
PLC18*63B30A1	1.718 [43.64]		
PLCH18*63B30A1	1.718 [43.64]		

\*Asterisk determines gender of connector, M for male, F for female.

Plating-Gold flash over nickel or 0.000030 [0.75μ] gold over nickel on contacts. See ordering information.

For connection systems 1,2 and 5.

DIMENSIONS ARE IN INCHES [MILLIMETERS].  
ALL DIMENSIONS ARE SUBJECT TO CHANGE.