

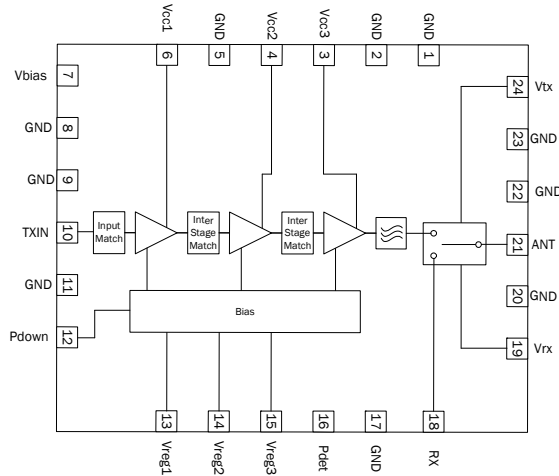


**Features**

- Single Supply Voltage 5.0V
- 35dB Typical Gain Across Frequency Band
- $P_{OUT} = 25\text{dBm} < 2.5\% \text{ EVM}$
- 2.4GHz to 2.5GHz Frequency Range
- 1mmx1mm MIMO architecture
- Integrated three-stage PA, filtering and T/R switch.

**Applications**

- WiFi IEEE802.11b/g/n Applications
- Customer Premises Equipment (CPE)
- Data Cards and Terminals
- Spread-Spectrum and MMDS Systems



Functional Block Diagram

**Product Description**

RFFM4200 is a 1mmx1mm MIMO module that is intently specified to address IEEE 802.11b/g/n WiFi 2.4GHz to 2.5GHz customer premises equipment (CPE) applications. The module has an integrated three-stage linear power amplifier, TX harmonic filtering and SPDT switch. The RFFM4200 has fully matched input and output for a 50Ω system and incorporates matching networks optimized for linear output power and efficiency. The RFFM4200 is housed in a 6mmx6mm laminate.

**Optimum Technology Matching® Applied**

- |   |                                      |  |                                   |
|---|--------------------------------------|--|-----------------------------------|
| <input type="checkbox"/> GaAs HBT             | <input type="checkbox"/> SiGe BiCMOS | <input checked="" type="checkbox"/> GaAs pHEMT | <input type="checkbox"/> GaN HEMT |
| <input type="checkbox"/> GaAs MESFET          | <input type="checkbox"/> Si BiCMOS   | <input type="checkbox"/> Si CMOS               | <input type="checkbox"/> RF MEMS  |
| <input checked="" type="checkbox"/> InGaP HBT | <input type="checkbox"/> SiGe HBT    | <input type="checkbox"/> Si BJT                | <input type="checkbox"/> LDMS     |

RF MICRO DEVICES®, RFMD®, Optimum Technology Matching®, Enabling Wireless Connectivity™, PowerStar®, POLARIS™ TOTAL RADIO™ and UltimateBlue™ are trademarks of RFMD, LLC. BLUETOOTH is a trademark owned by Bluetooth SIG, Inc., U.S.A. and licensed for use by RFMD. All other trade names, trademarks and registered trademarks are the property of their respective owners. ©2006, RF Micro Devices, Inc.

**Please contact  
RFMD Technical Support  
at (336) 678-5570  
for more information.**