

## PARAMETERS 技术参数 (FVO 12 Series)

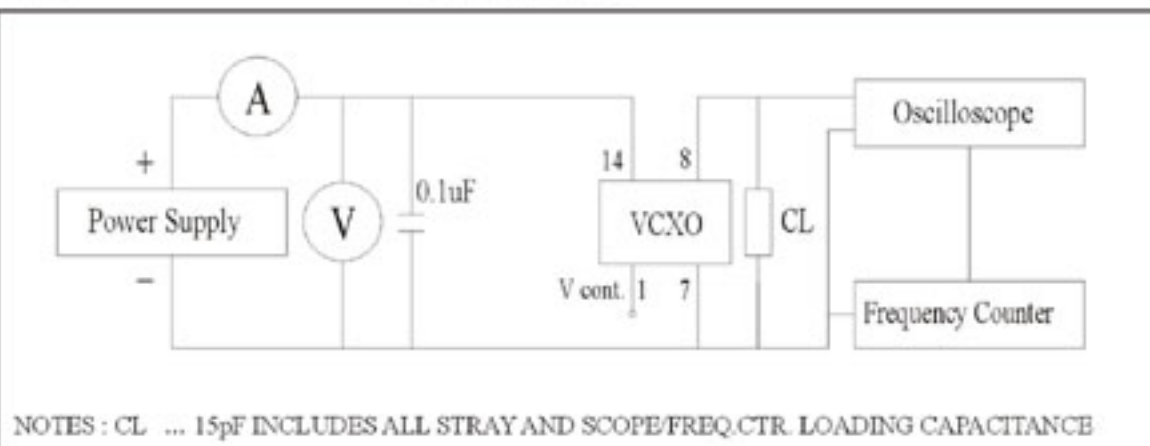
### ELECTRICAL SPECIFICATIONS

Frequency Range 频率范围	1.000MHz to 50.000MHz	
Frequency Stability 频率稳定度	± 25ppm	± 50ppm
	± 100ppm (Standard)	
Inclusive of operating temperature range		
Operating Temperature Range	0°C~+70°C	
Storage Temperature Range	-40°C~+85°C	
Input Voltage 输入电压	+5Vdc ± 0.5V	+3.3Vdc ± 0.3V
Input Current 输入电流	30mA max.	20mA max.
0/1 Level 0/1 电平	+0.5V max./+4.5V min.	+0.4V max./+3.0V min.
Pull Ability 压控范围	± 600ppm min. (Typical)	± 400ppm min. (Typical)
	(At 2.5Volt 2V)	(At 1.65Volts 1.35V)
Linearity 线性度	± 30% max. (Typical)	
Symmetry 占空比	60/40% or 40/60% (Typical)	
Rise & Fall time 上升时间/下降时间	10nS max.	
Start up time 起振时间	10mS max.	
Fan out 输出电压	15pF//10TTL	
Aging (at 25 °C ) 老化率	± 5ppm / Year max.	

### ENVIRONMENTAL & MECHANICAL SPECIFICATIONS

Shock 抗冲击性能	FIL-STD-883C, Method 2002, Condition B
Vibration 抗振性能	FIL-STD-883C, Method 2007, Condition A
Solderability 焊接性能	FIL-STD-883C, Method 2003
Seal Integrity 密封性能	FIL-STD-883C, Method 1014, Condition C & A2
Marking 标记	FIL-STD-883C, Method 215

## TEST CIRCUIT 测试原理图



## PART NUMBER

Frontier  
VCXO  
Model No.  
Frequency Stability  
A=25ppm  
B=50ppm  
C=100ppm  
D=Customize  
Temperature Range  
A=0°C~+70°C  
B=-20°C~+70°C  
C=-40°C~+85°C  
D=Customize  
Package Type  
H=Half Size  
F=Full Size  
Input Voltage  
3-3.3Volt / 5-5.0Volt  
Pulling Range

A	150ppm
B	200ppm
C	250ppm
D	300ppm
E	350ppm

Specifications subject to change without notice & if you need other specifications, please contact our factory.

## WAVE FORM

