

This document is the property of Amphenol Corporation and is delivered on the express condition that it is not to be disclosed, reproduced or used, in whole or in part, for manufacture or sale by anyone other than Amphenol Corporation without its prior consent & that no right is granted to disclose or to use any information in this document.

PRODUCT NUMBER	MATING LENGTH, DIM "X"			
	POSN 1	POSN 2	POSN 3	POSN 4
AMX-P2X2R-6021-011	1.10	1.10	1.10	1.10
AMX-P2X2R-6021-021	2.60	2.60	2.60	2.60
AMX-P2X2R-6021-031	1.10	2.60	2.60	2.60
AMX-P2X2R-6021-041	2.60	1.10	2.60	2.60
AMX-P2X2R-6021-051	2.60	2.60	1.10	2.60
AMX-P2X2R-6021-061	2.60	2.60	2.60	1.10
AMX-P2X2R-6021-071	1.10	2.60	2.60	1.10

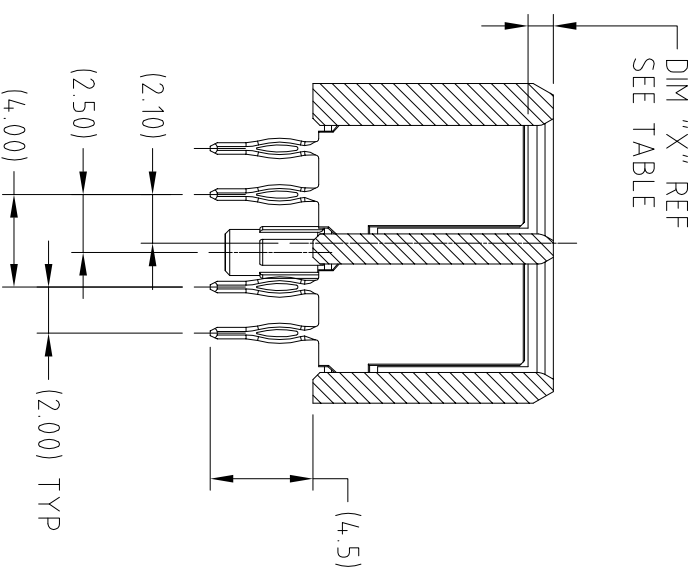
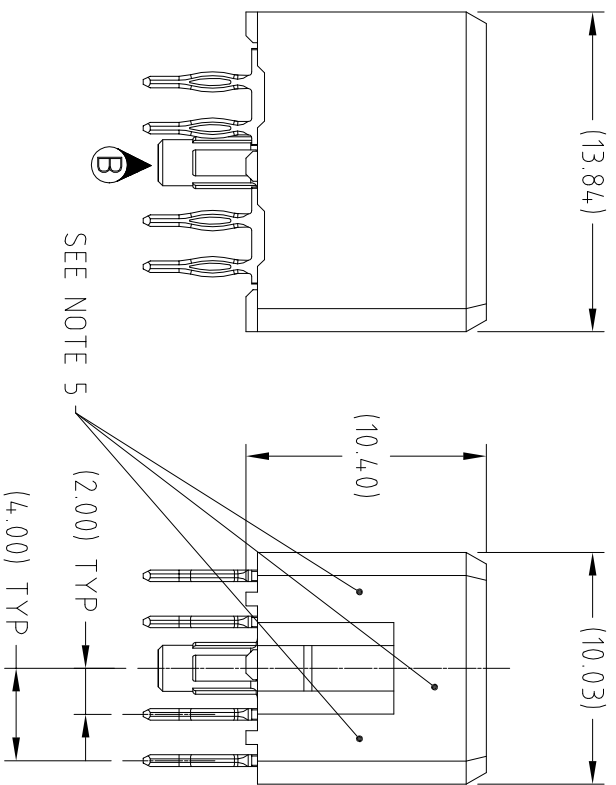
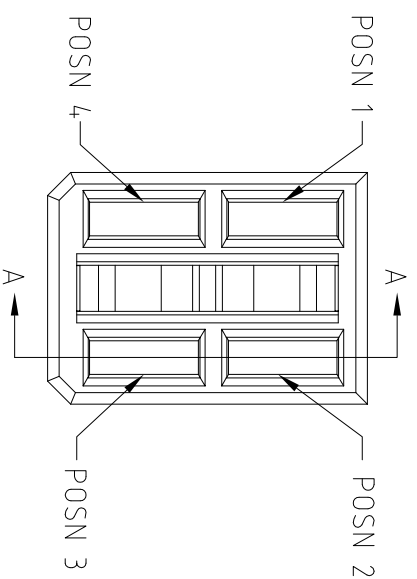
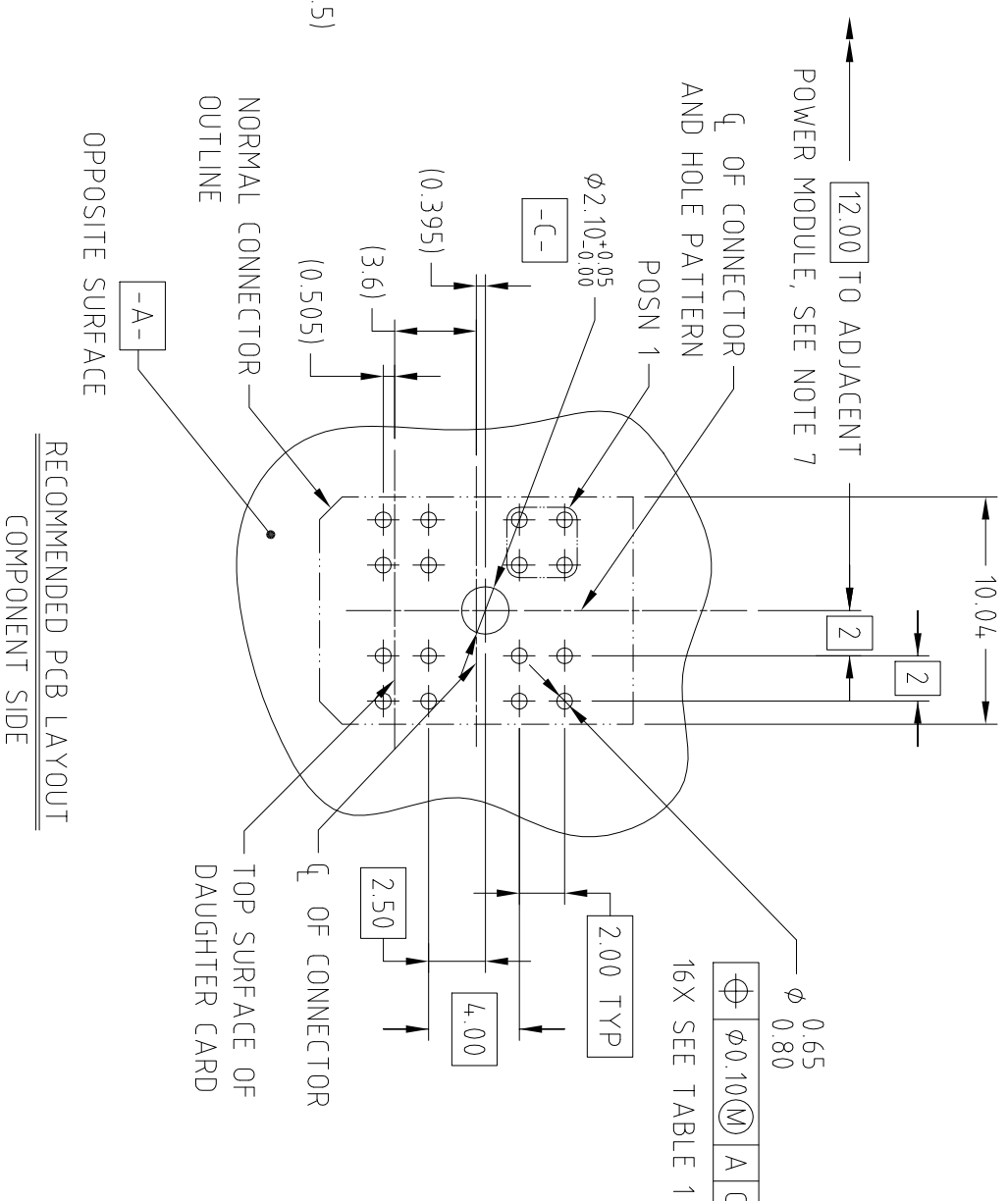


TABLE 1 : PTH RECOMMENDATIONS

PLATING TYPE	TIN LEAD	COPPER OSP
DRILL HOLE ϕ	0.81 - 0.86 (0.85 DRILL)	0.80 - 0.85
CU PLATING	0.025 - 0.050	
Sn Pb	0.005-0.015	N/A
HOLE DIAMETER AFTER PLATING	0.65 - 0.80	



REVISIONS		DATE	APPROVED
A	HK3185	11/24/04	JP
B	HK3619	12/22/05	Charles

UNLESS OTHERWISE SPECIFIED

TOLERANCES	U.S.	METRIC
X +/-		0.3
XX +/-		0.1
XXX +/-		0.05
FRACTIONS +/-		2°
ANGLES +/-		

FOR MATERIALS AND FINISHES SEE NOTES

REMOVE SHARP EDGES

DIMENSIONS

U.S.	METRIC
	(MM)

Amphenol

TITLE
AIRMAX VS ST RECEPTACLE ASSY
POWER, PRESS-FIT, 2X2 POS

APPROVAL	DATE	SIZE	DRAWING NO.	SCALE	SHEET	OF	REV.
DRAWN Alex Kee	12/22/05	A3	C AMX-P2X2R-6021-0X1	1:1	1	OF 2	B
CHECKED Charles Yang	12/22/05						

1

2

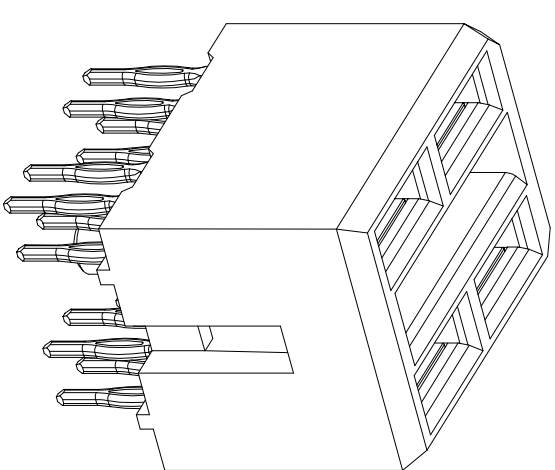
3

4

This document is the property of Amphenol Corporation and is delivered on the express condition that it is not to be disclosed, reproduced or used, in whole or in part for manufacture or sale by anyone other than Amphenol Corporation without its prior consent, & that no right is granted to disclose or to use any information in this document.



REVISIONS		DATE	APPROVED
SYM	ECN	DESCRIPTION	
		SEE SHEET 1	



- NOTES:
- ① CONTACT MATERIALS:
HOUSING: HIGH TEMPERATURE THERMOPLASTIC, BLACK, UL 94V-0
CONTACT: HIGH PERFORMANCE COPPER ALLOY
 - ② CONTACT PLATING:
PRESS-FIT TAIL: 0.5 - 2.0um PURE TIN OVER NICKEL
SEPARABLE INTERFACE: 0.76um MIN GOLD OVER NICKEL
 - 3 PRODUCT SPECIFICATION: S-AMX-003
 - 4 APPLICATION SPECIFICATION: S-AMX-004
 - ⑤ PRODUCT MARKING, (PART NUMBER & LOT CODE) ON THIS SURFACE
 - 6 MINIMUM NOMINAL PCB THICKNESS: 2.4mm
 - ⑦ REFER TO CUSTOMER DRAWING C AMX-PCB-001 FOR INFORMATION REGARDING PCB LAYOUT OF POWER AND GUIDE MODULES RELATIVE TO SIGNAL MODULES.

UNLESS OTHERWISE SPECIFIED		APPROVAL		DATE		Amphenol TITLE AirMax VS ST RECEPTACLE ASSY POWER, PRESS-FIT, 2X2 POS SIZE A3 DRAWING NO. C AMX-P2X2R-6021-0X1 SCALE 1:1 SHEET 2 OF 2		
TOLERANCES		DRAWN	Alex Kee	12/22/05				
U.S.		CHECKED	Charles Yang	12/22/05				
METRIC		CHECKED						
X +/- XX +/- .XXX +/- FRACTIONS +/- ANGLES +/-		DRAWING FILE :		DRAWING FILE :				
FOR MATERIALS AND FINISHES SEE NOTES		DRAWING:AMXVC AMX-P2X2R-6021-0X1		DRAWING:AMXVC AMX-P2X2R-6021-0X1				
REMOVE SHARP EDGES		ANGLE OF PROJECTION						
DIMENSIONS								
U.S. INCHES								
METRIC (MM)								