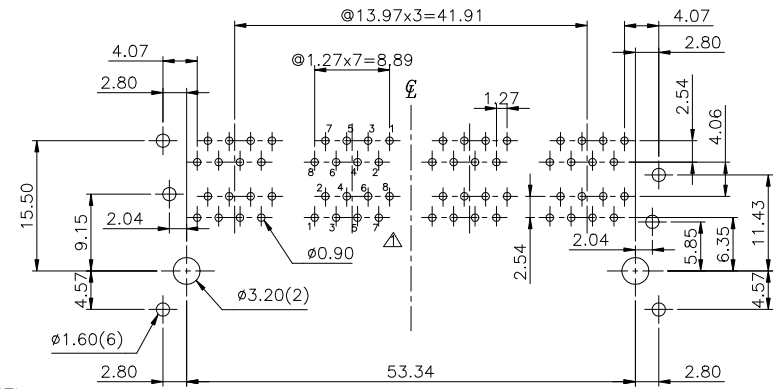
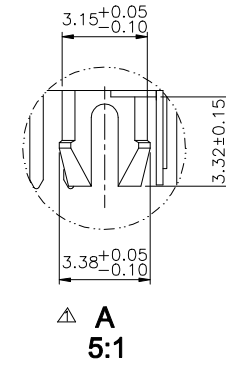
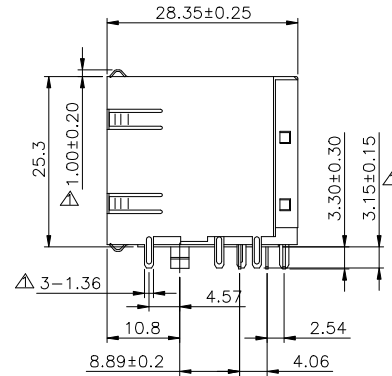
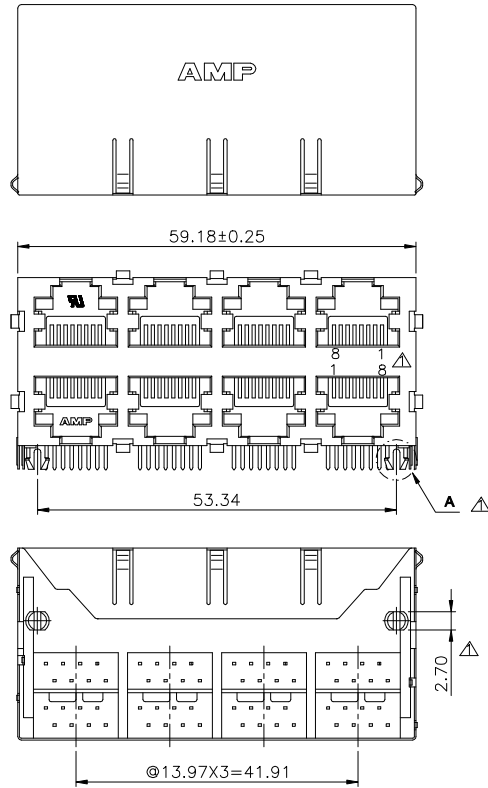


REVISION RECORD				
REV	ECO	DESCRIPTION	DRFT	CHKD
△		MODIFY DRAWING	LUXIN 09/14/04	



PC Board Layout
Component Side Shown

NOTES:

ELECTRICAL:

- VOLTAGE RATING : 125 VAC RMS.
- CURRENT RATING : 1.5 AMP.
- CONTACT RESISTANCE : 50 MILLIOHMS MAX.
- INSULATION RESISTANCE: 1000 MEGOHMS MIN @ 500 VDC.
- DIELECTRIC STRENGTH : 1000 VAC RMS 60Hz, 1MIN.

MECHANICAL:

- HOUSING MATERIAL : GLASS FILLED POLYESTER UL94V-0.
- CONTACT MATERIAL : PHOSPHOR BRONZE, t=0.35mm.
- PLATING : MATING AREA-15u" MIN.GOLD OVER 50-80u"BRIGHT NICKEL
- TINNED GRUNDING TAB : H=2.00mm(Min),W=2.10mm(Max).
- OPERATING LIFE : 750 CYCLES MIN.
- PCB RETENTION PRE-SOLDER : 1 LB MIN.
- PCB RETENTION POST-SOLDER: 10 LBS MIN.

ENVIRONMENTAL:

- STORAGE : -40°C TO +85°C.
- OPERATION: 0°C TO 70°C.

MATES WITH MODULAR PLUG CONFORMING TO
FCC PART 68, SUBPART F.
CUL FILE NO. E163191
PART NUMBER: E5908-7XC14X

Shield: T- Tin
V- Nickel

Gold Thickness:
1- 3u" 2- 6u" 3-15u"
4-30u" 5-50u"

DETACHED LISTS	MM (INCH)		DFTO Ming-Wei	DATE 01/28/2002
	TOLERANCES EXCEPT AS NOTED		CHKD SAMMY	DATE 2004/9/15
			MFO	DATE
	MM		APPLY LUSHENG	DATE 2004/9/15
	.0 ± 0.2	±		
.00 ± 0.15	±			
.000 ± 0.075	±			
ANGLES ± 0.5		MATERIAL :		
THIRD ANGLE PROJECTION		QT'Y :		
		FINISH :		
		SCALE : 1.5 : 1		

FULL RISE ELECTRONIC CO., LTD

TITLE RJ45
STACKED GANGED JACK, 2X4

DRAWING NO. GE593090
/PART NO. SEE NOTE

DO NOT SCALE DRAWING SHEET 1 OF 1