

DESCRIPTION/APPLICATION

Traditionally, these rugged One Piece Blocks are the standard means of connection for heavy industrial applications like rail transport, utility, and traffic control industries. Ideal for dirty and vibration prone environments.

DESIGN ADVANTAGES

- Two, four, six, eight, and twelve circuit models available — 5/8" center-to-center contact spacing.
- No assembly required — each is a single, easily installed unit.
- Three contact styles available — strap screw, captive strap clamp, and moving tubular contact.
- Use wire up to AWG #6 with tubular contact. Strap screw and strap clamp contacts are available for #8 and smaller.
- Withstand voltages in excess of IEEE standards for 750 volts. Meet clearance and creepage spacings specified in UL, CSA, and NEMA Industrial Control Standards for 600 Volts.
- Strap contacts rated at 50 amperes — tubular contact conservatively rated at 70 amperes.
- Pilot point screws supplied with strap screw and clamp contacts — speeds installation time.
- Plain white marking strip supplied with each block — circuits are easily identified.
- Special purpose blocks available— choose from blocks with solder posts, printed circuit board pins, or nuts on screw posts, removable circuit links, and a shorting bar.

ONE PIECE PHENOLIC BLOCKS



B100, #B100 SERIES ONE PIECE — PHENOLIC

PHYSICAL PROPERTIES

Housing:

HOUSING MATERIAL: Phenolic, filled flame retardant

FLAMMABILITY: UL94V-1

COLOR: Black

Contacts:

STANDARD MATERIAL: Electrical grade copper or copper alloy conductor. Steel screws plated to resist corrosion in most industrial applications.

BRASS MATERIAL: For Corrosive Environment (2B100, 4B100 Series) Nickel plated brass straps and screws. Exceeds specification Q Q-N-290 Class 1, Type VII

WIRE RANGE: Strap Screw: #18-8 AWG solid or stranded; Strap Clamp: #18-8 AWG solid or stranded; Tubular Clamp: #14-6 AWG solid or stranded

SCREW TYPE: Strap Screw: #10-32 Binding Head; Strap Clamp: #8-32 Pan head w/Clamp and Lockwasher; Tubular Clamp: #1/4"-28 Set Screw

STRAP SCREW: 7/16" max. lug width

Mechanical:

PITCH (TERMINAL SPACING): .63"

WIRE STRIP LENGTH: Strap Screw: as needed for lugging; Strap Clamp: 1/2"; Tubular Clamp: 1/2"

ELECTRICAL PROPERTIES

MAXIMUM CURRENT: 70A for a single #6 AWG wire
OPERATING VOLTAGE: Blocks meet 600V creepage and clearance requirements for general industrial control equipment and panelboards; greatly exceeds IEEE switchgear standards for 750 volts.

DIELECTRIC STRENGTH (RH 40% @ SEA LEVEL): 300 Volts/mil thickness per ASTM D149

UL HIGH VOLTAGE ARC TRACKING (IN./MIN.): .49-.58

ENVIRONMENTAL PROPERTIES

MAX. CONTINUOUS TEMPERATURE: 150° C (302° F)

WATER ABSORPTION (24HRS. % WT. GAIN): .45% per ASTM D570

CHEMICAL RESISTANCE: Resistant to acids, alkalis, and aliphatic hydrocarbons and ketones per ASTM D543

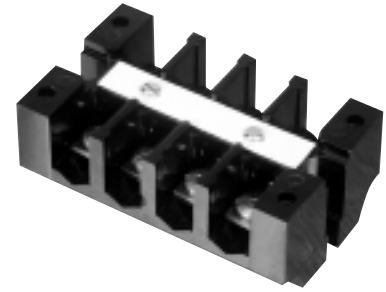
RADIATION RESISTANCE (ERGS G⁻¹ (C): 2.7 x 10⁶ min

UL INDEPENDENT TESTING SERVICE RECOGNITIONS:

WIRE SIZES: Solid or Stranded, Tubular Clamp
1—#6 AWG, 1—#8 AWG, 1 or 2 — #10 AWG,
1 or 2—#12 AWG, 1 to 3—#14 AWG, 1 — #10 & 1
—#12 AWG
1 — #12 & 1 — #14 AWG

Strap Clamp

1 — #18 through 1 — #8 AWG



Ordering Information

CIRCUITS	STEEL SCREW W/STRAP	STRAP CLAMP	TUBULAR CLAMP	BRASS SCREW W/STRAP
----------	---------------------	-------------	---------------	---------------------

Contact Type



Standard

2	B102	B102C	B102S	2B102
4	B104	B104C	B104S	2B104
6	B106-BU	B106C	B106S	2B106
8	B108	B108C	B108S	2B108
12	B112-BU	B112C	B112S	2B112

Shorting

2	3B102P	—	—	4B102P
4	3B104P	—	—	4B104P
6	3B106P	—	—	4B106P
8	3B108P	—	—	4B108P
12	3B112P	—	—	4B112P

CIRCUITS	STRAP SCREW #8 & SMALLER	THREADED POST & NUT
----------	--------------------------	---------------------

Removable Link

2	5B102	—
4	5B104	—
6	5B106	—
8	5B108	—
12	5B112	—

Stud

2	—	7B102
4	—	7B104
6	—	7B106
8	—	7B108
12	—	7B112

NOTES:

For prenumbered marking strip, add suffix "N" to catalog number. Cannot be used on 3B or 4B series.

For factory assembled hinged cover, add suffix "H" to catalog number. Cannot be used on 3B or 4B series.

For factory assembled thumbscrew-fastened cover, add suffix "T" to catalog number. Cannot be used on 3B or 4B series.

Screws and removable links shipped unassembled.

B100 #B100 SERIES ONE PIECE BLOCKS — PHENOLIC ACCESSORIES

COVERS AND MARKING



# OF CIRCUITS	LAMINATED PHENOLIC COVER	SHORTING BLOCK COVER	WHITE MARKING STRIP	NUMBERED MARKING STRIP
Catalog Number				
2	C102	CS102	S102	N102
4	C104	CS104	S104	N104
6	C106-BU	CS106	S106	N106
8	C108-BU	CS108	S108	N108
12	C112	CS112	S112	N112
Standard Package				
	1	1	1	1

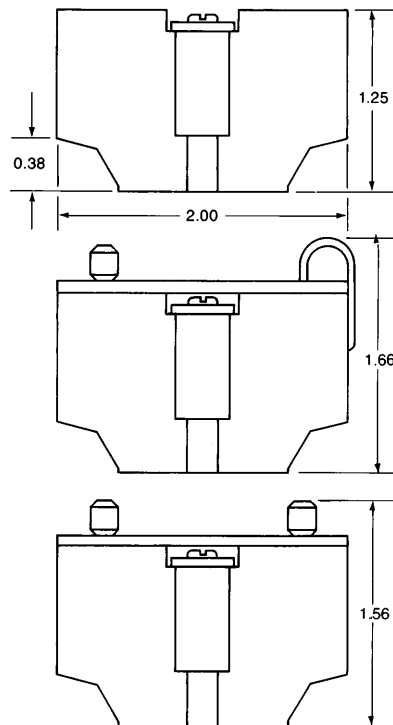
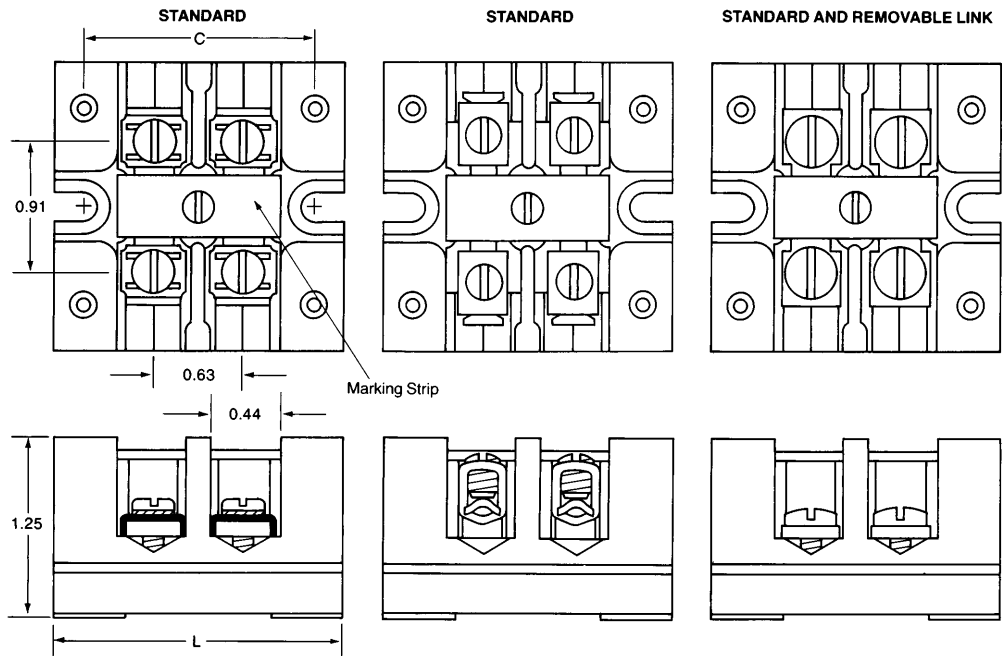
JUMPERS

HARDWARE



# OF CIRCUITS	30A COPPER JUMPERS	50A 12 CIRCUIT JUMPERS	CONNECTING LINK	LOCK NUTS	SHORTING SCREW
Catalog Number					
2	J102	—	—	—	—
4	J104	—	—	—	—
6	J106	—	—	—	—
8	J108	—	—	—	—
12	J112	HJ112	—	—	—
Hardware					
			CL101	LN101-BU	51-BU
Standard Package					
	1	1	10	50	—

**B100 #B100 SERIES
ONE PIECE BLOCKS — PHENOLIC**



No. of Ckts.	C	L
2	1.63	2.00
4	2.88	3.25
6	4.13	4.50
8	5.38	5.75
12	7.88	8.25

**B100 #B100 SERIES
ONE PIECE BLOCKS — PHENOLIC**

