

GMMCX-P-C-04-06.00-C1-S-S

GMMCX-P-C-08-10.00-C1-S-S

GANGED RF CABLE MOUNT GMMCX-C SERIES

SPECIFICATIONS

For complete specifications see www.samtec.com?GMMCX-C

Shell Material: Brass

Insulator Material: Teflon

Contact Material: BeCu

Pin Material: Brass

Plating: 30µ" (0,76µm) Au over

50µ" (1,27µm) Ni

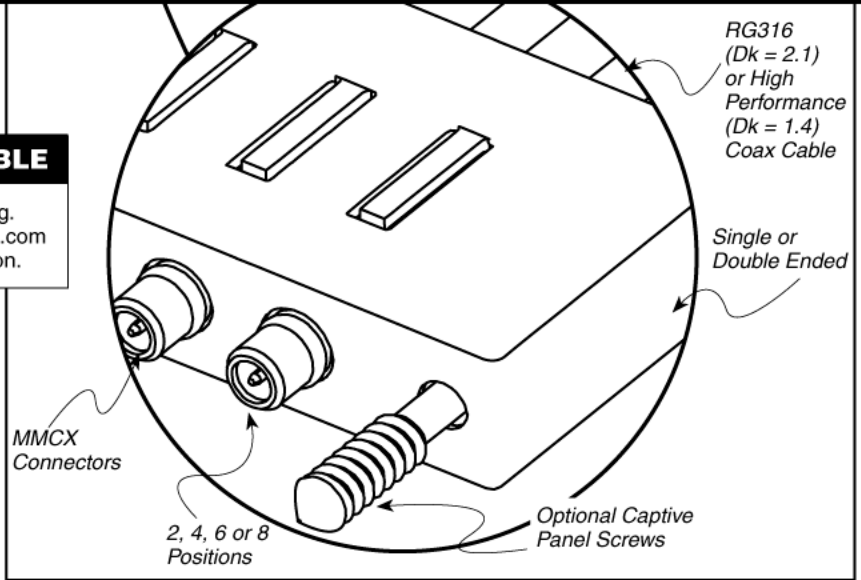
Operating Temp Range: -40°C to +90°C

Impedance: 50Ω

Mates with:
GMMCX-J

ALSO AVAILABLE

Application Tooling.
Contact atg@samtec.com
for more information.



RG316
(Dk = 2.1)
or High
Performance
(Dk = 1.4)
Coax Cable

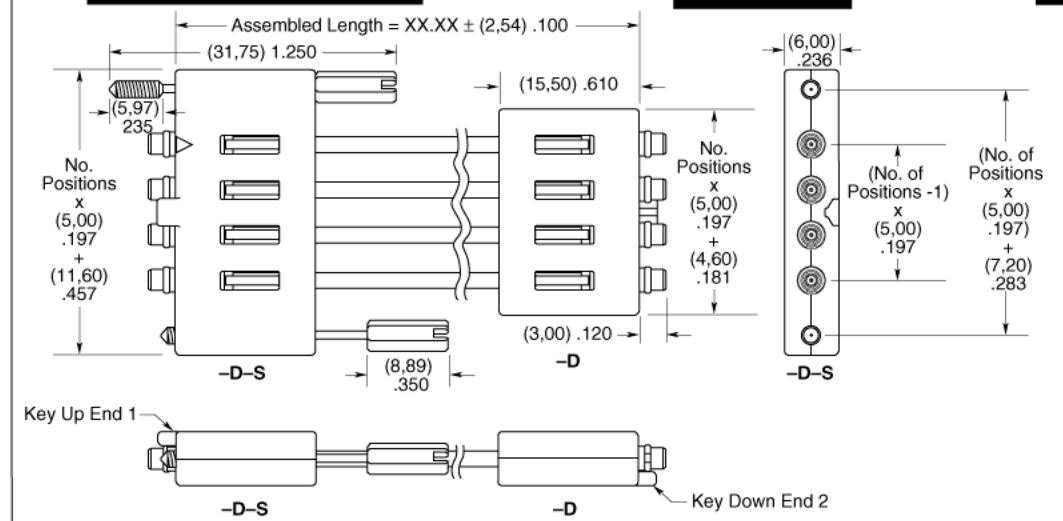
Single or
Double Ended

MMCX
Connectors

2, 4, 6 or 8
Positions

Optional Captive
Panel Screws

GMMCX	P	C	NO OF POS.	ASSEMBLED LENGTH	TERMINATION	END OPTION	SCREW OPTION
-02			= 2 Positions	- "XX.XX" = Assembled Length in Inches (152mm) 06.00" min. (1m) 40.00" max.	-C1 = RG316, 26 AWG Coax Cable, Dk = 2.1 -C2 = High Performance 26 AWG Coax Cable, Dk = 1.4	-S = Single -D = Double	-S = Captive Panel Screws (Call Samtec for no Screw Option)
-04		= 4 Positions					
-06		= 6 Positions					
-08		= 8 Positions					



Due to technical progress, all designs, specifications and components are subject to change without notice.

WWW.SAMTEC.COM