

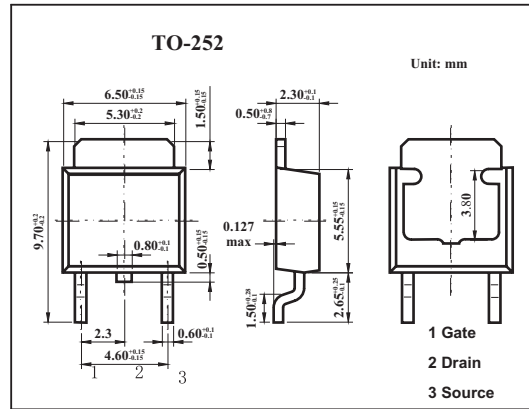
■ Features

- Low on-resistance
 $R_{DS(on)1} = 9.0 \text{ m}\Omega \text{ MAX. (} V_{GS} = 10 \text{ V, } I_D = 18 \text{ A)}$
 $R_{DS(on)2} = 12.0 \text{ m}\Omega \text{ MAX. (} V_{GS} = 4.5 \text{ V, } I_D = 18 \text{ A)}$
 $R_{DS(on)3} = 14.0 \text{ m}\Omega \text{ MAX. (} V_{GS} = 4.0 \text{ V, } I_D = 18 \text{ A)}$
- Low C_{iss} : $C_{iss} = 2800 \text{ pF TYP.}$
- Built-in gate protection diode

■ Absolute Maximum Ratings $T_a = 25^\circ\text{C}$

Parameter	Symbol	Rating	Unit
Drain to source voltage	V_{DS}	30	V
Gate to source voltage	V_{GS}	± 20	V
Drain current	I_D	± 36	A
	I_{dp}^*	± 144	A
Power dissipation	P_D	$T_c=25^\circ\text{C}$	40
		$T_a=25^\circ\text{C}$	1.0
Channel temperature	T_{ch}	150	$^\circ\text{C}$
Storage temperature	T_{stg}	-55 to +150	$^\circ\text{C}$

* $PW \leq 10 \mu\text{s, Duty Cycle} \leq 1\%$



■ Electrical Characteristics $T_a = 25^\circ\text{C}$

Parameter	Symbol	Testconditons	Min	Typ	Max	Unit
Drain cut-off current	I_{DSS}	$V_{DS}=30\text{V, } V_{GS}=0$			10	μA
Gate leakage current	I_{GSS}	$V_{GS} = \pm 20\text{V, } V_{DS}=0$			± 10	μA
Gat cutoff voltage	$V_{GS(off)}$	$V_{DS}=10\text{V, } I_D=1\text{mA}$	1.5	2.0	2.5	V
Forward transfer admittance	$ Y_{fs} $	$V_{DS}=10\text{V, } I_D=18\text{A}$	13	26		S
Drain to source on-state resistance	$R_{DS(on)1}$	$V_{GS}=10\text{V, } I_D=18\text{A}$		7.3	9.0	$\text{m}\Omega$
	$R_{DS(on)2}$	$V_{GS}=4.5\text{V, } I_D=18\text{A}$		9.0	12.0	$\text{m}\Omega$
	$R_{DS(on)3}$	$V_{GS}=4.0\text{V, } I_D=18\text{A}$		9.7	14.0	$\text{m}\Omega$
Input capacitance	C_{iss}	$V_{DS}=10\text{V, } V_{GS}=0, f=1\text{MHZ}$		2800		pF
Output capacitance	C_{oss}			880		pF
Reverse transfer capacitance	C_{rss}			400		pF
Turn-on delay time	t_{on}			75		ns
Rise time	t_r	$I_D=18\text{A, } V_{GS(on)}=10\text{V, } R_G=10\Omega, V_{DD}=15\text{V}$		1130		ns
Turn-off delay time	t_{off}			165		ns
Fall time	t_f			210		ns
Total Gate Charge	Q_G	$I_D = 36 \text{ A, } V_{DD} = 24 \text{ V, } V_{GS} = 10 \text{ V}$		49		nC
Gate to Source Charge	Q_{GS}			10		nC
Gate to Drain Charge	Q_{GD}			14		nC