

**12 Volt**

These DC fans are equipped with dual NMB precision ball-bearings for long service life and long-lasting balance.  
Arbitrary mounting position.  
Air exhaust over struts.  
Rotation is clockwise (right) when viewed from the name plate.

**DC fans  
52 x 52 x 15  
Manufacturer NMB**

Casing and impeller material is reinforced plastic according to UL 94 V-0  
Protected against blocking and reverse polarity, auto restart  
Connection via tinned and lead wires, UL 1061, AWG 26 (red/black), length 200 mm  
Operating temperature range is -10 °C to +60 °C  
Weight: 25 g  
Approvals: CE, CSA LR65829 1255295, UL E89936, VDE 15073-0018

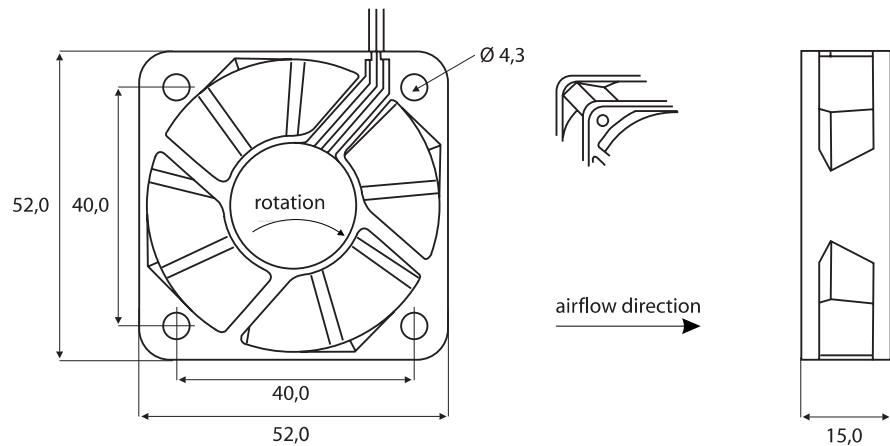
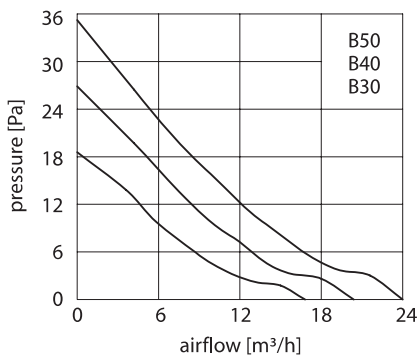


**Options with additional connection**

- Tachometer signal - two pulses per rotation (e.g.: 2106KL-04W-B39-L50)
- Locked rotor signal - "HIGH"-signal and auto restart (e.g.: 2106KL-04W-B39-L00)

Available on request

- temperature controlled with external NTC (e.g.: 2106KL-04W-B37-L60)
- temperature controlled with internal NTC (e.g.: 2106KL-04W-B37-LS0)
- IP 54 model



(dimensions in mm)

Type	voltage V	current mA	airflow m³/h	pressure Pa	speed rpm <sup>-1</sup>	noise dB <sub>(A)</sub>	service life h L <sub>10</sub> /25 °C
2106KL-04W-B30-L00	12 (10,2 - 13,0) *	70	16,8	18	3.500	21	77.000
2106KL-04W-B40-L00	12 (10,2 - 13,0) *	90	20,4	26	4.200	26	77.000
2106KL-04W-B50-L00	12 (10,2 - 13,0) *	130	24,0	35	4.900	30	77.000

\* operating voltage