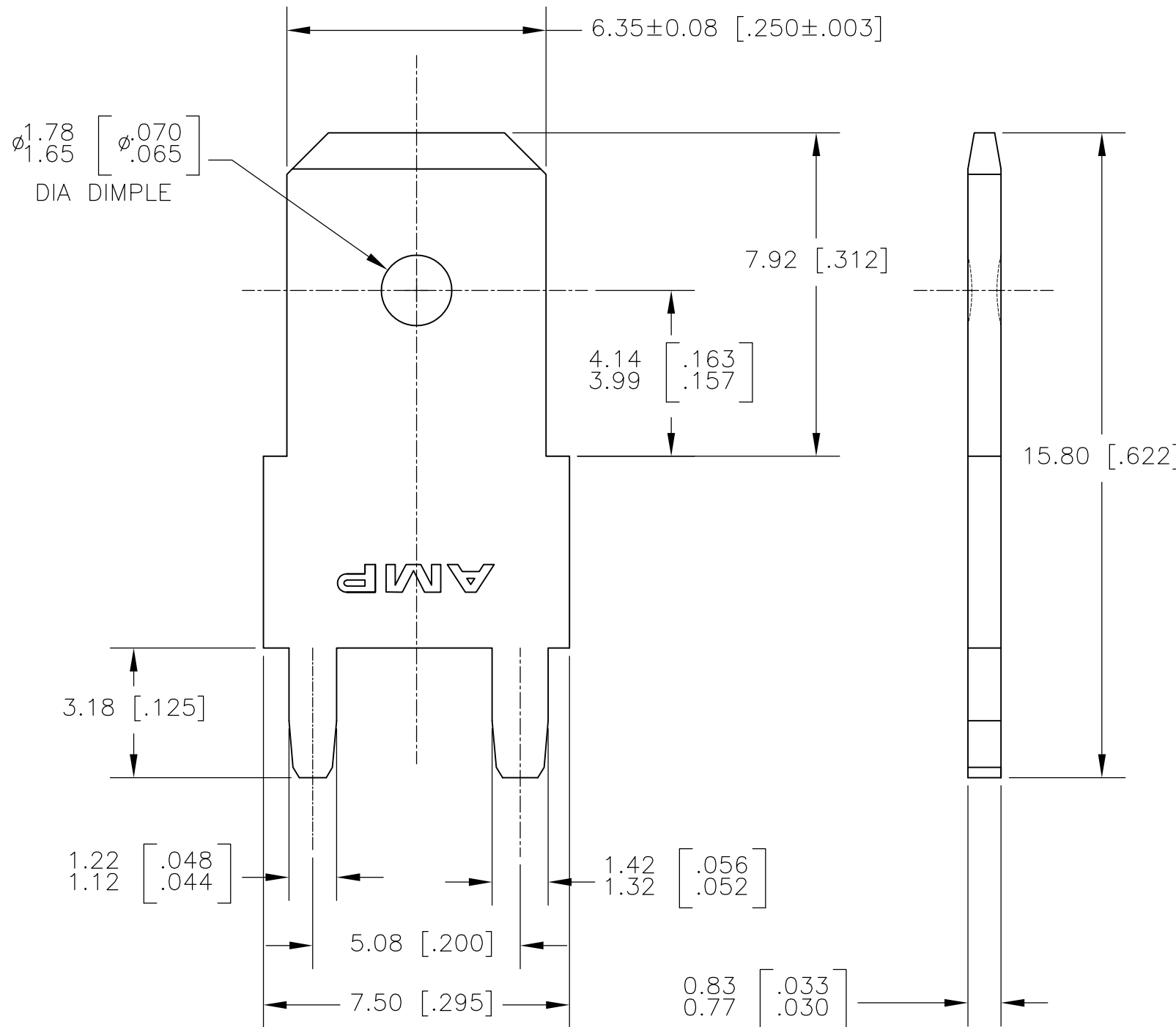


THIS DRAWING IS UNPUBLISHED. RELEASED FOR PUBLICATION
 © COPYRIGHT - By - ALL RIGHTS RESERVED.

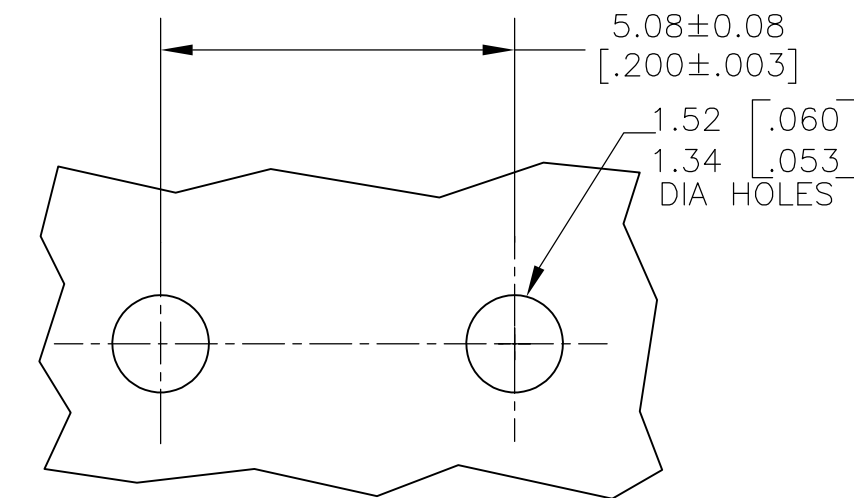
LOC	DIST	REVISIONS			
P	LTR	DESCRIPTION	DATE	DWN	APVD
AF	50	S	REVISED PER ECR-13-001204	19JUN13	KH PD

D

D



- 1 SUPPLIED IN LOOSE PIECE.
- 2 0.00381 [.000150] MIN TIN OVER
0.00254 [.000100] MIN THK COPPER.
- 3 0.00381 [.000150] MIN SILVER OVER
0.00254 [.000100] MIN THK COPPER.
- 4 SPECIAL PACKAGING QUANTITY
- 5 PRELIMINARY - NOT FOR PRODUCTION
- 6 0.00038 [.000015] MIN GOLD OVER
0.00127 [.000050] MIN NICKEL.



P.C.BOARD HOLES
SCALE 10:1

C

C

B

B

	2	9-62409-1	5
	6	62409-4	5
OBSOLETE	3	62409-3	
	2	62409-1	
	FINISH		PART NUMBER

A

A

THIS DRAWING IS A CONTROLLED DOCUMENT.		DWN	JR RUTH	30NOV00	
DIMENSIONS: mm(INCHES)		CHK	MS FEHER	30NOV00	
TOLERANCES UNLESS OTHERWISE SPECIFIED:		APVD	G PORTA	30NOV00	
0 PLC ± - 1 PLC ± - 2 PLC ± 0.38 [.015] 3 PLC ± - 4 PLC ± - ANGLES ± -		PRODUCT SPEC	NAME		
MATERIAL	BRASS	FINISH	SEE TABLE		TAB, FASTON, PC BOARD, 6.35 [.250] SERIES
CUSTOMER DRAWING		WEIGHT	-		SIZE A3 CAGE CODE 00779 DRAWING NO C-62409 RESTRICTED TO -
1470-19 (3/11)		SCALE		8:1	SHEET 1 of 1 REV S