

Surge Arresters

Introduction

Contents	Type	Page
Mini buttons $\varnothing 5 \times 5$ 2,5 kA/2,5 A	M51-	140
Standard buttons $\varnothing 8 \times 6$ 5 kA/5 A	EC-	140
Metal-ceramic $\varnothing 8 \times 6$ 10 kA/10 A	N81-	141
20 kA/20 A	A80-, A81-	141
3-electrode surge arresters 10 kA/10 A	T83-	142
20 kA/10 A	T20-, T21-, T23-	143
Holders	A4-A1	144
	T80-A1	144

The minimum order quantities stated for surge arresters correspond to one delivery unit. Delivery is always in complete units.

Many surge arresters can also be supplied on tape. Your SCS contact will tell you the ordering code of the taped version.

Quantities exceeding the stated maximum quantities and non-SCS types will be supplied ex works. Inquire for prices and delivery schedules.

Further technical literature

Short Form Catalog "Gas-Filled Surge Arresters and Switching Spark Gaps" in preparation, EPC:48001-7400

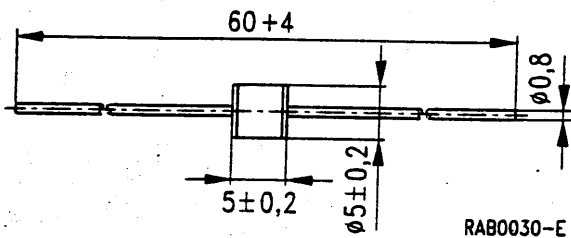
Symbols and terms

V_{sdCN} Nominal dc spark-over voltage

304 3174.

Mini button
Metal-ceramic $\varnothing 5 \times 5$
2,5 kA/2,5 A

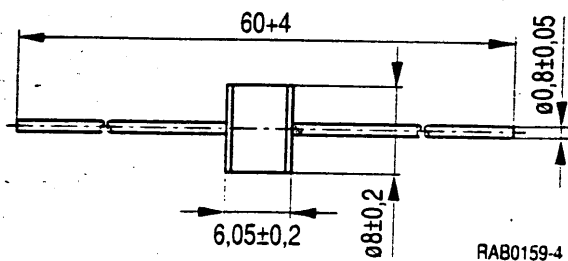
M51-



Type	V_{sdcN} V	Ordering code	Min. qty.	Max. qty.				
M51-C90	90	Q69-X468	100	2500				
M51-A230X	230	Q69-X293	100	2500				
M51-A350X	350	Q69-X464	100	2500				
M51-A600X	600	Q69-X459	100	2500				

Standard button
Metal-ceramic $\varnothing 8 \times 6$
5 kA/5 A

EC-

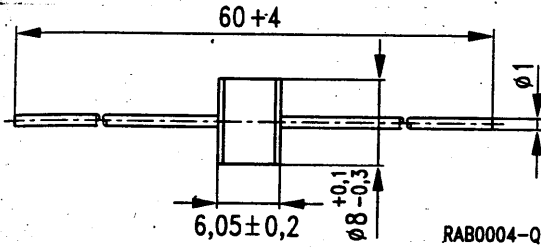


Type	V_{sdcN} V	Ordering code	Min. qty.	Max. qty.				
*EC90X	90	Q69-X72	100	2500				
EC150X	150	Q69-X88	100	2500				
EC230X	230	Q69-X66	100	2500				
EC350X	350	Q69-X81	100	2500				
EC600X	600	Q69-X78	100	2500				

Surge Arresters

**Metal-ceramic $\varnothing 8 \times 6$
10 kA/10 A**

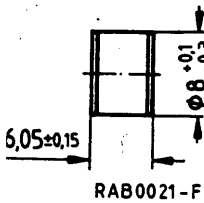
N81-



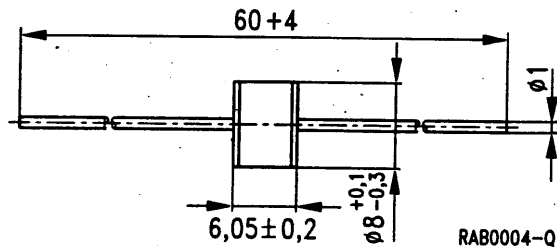
Type	V_{sdCN} V	Ordering code	Min. qty.	Max. qty.				
N81-A90X	90	Q69-X488	100	2500				
N81-A230X	230	Q69-X493	100	2500				
N81-A350X	350	Q69-X492	100	2500				

**Metal-ceramic $\varnothing 8 \times 6$
20 kA/20 A**

A80-



A81-

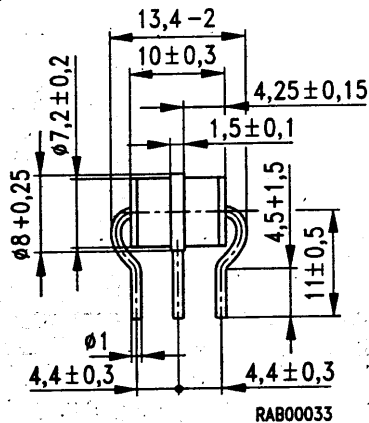


Type	V_{sdCN} V	Ordering code	Min. qty.	Max. qty.				
A80-C90X	90	Q69-X141	100	2500				
A81-C90X	90	Q69-X138	100	2500				
A80-A230X	230	Q69-X224	100	2500				
A81-A230X	230	Q69-X225	100	2500				
A80-A350X	350	Q69-X223	100	2500				
A81-A350X	350	Q69-X238	100	2500				
A81-A600X	600	Q69-X288	100	2500				

Surge Arresters

3-electrode surge arresters
Metal-ceramic
10 kA/10 A

T83-

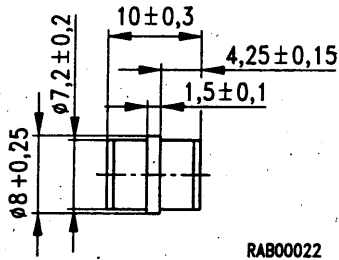


Type	V_{sdCN} V	Ordering code	Min. qty.	Max. qty.			
T83-A90X	90	Q69-X830	100	2500			
T83-A230X	230	Q69-X891	100	2500			
T83-A350X	350	Q69-X869	100	2500			

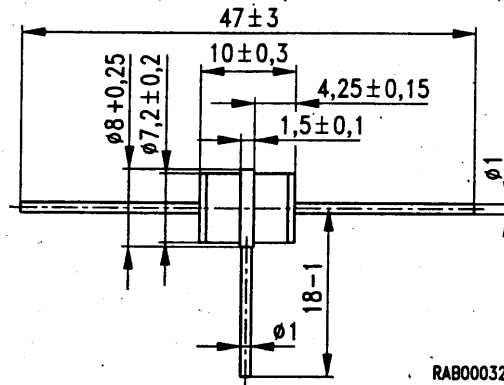
Surge Arresters

3-electrode surge arresters Metal-ceramic 20 kA/10 A

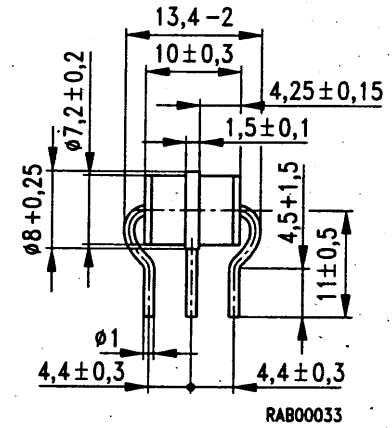
T20-



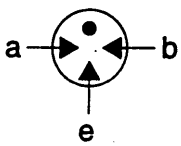
T21-



T23-



Type	V_{sdcN} V	Ordering code	Min. qty.	Max. qty.				
T20-A230X ¹⁾	230	Q69-X871	100	2500				
T21-A230X	230	Q69-X892	100	2500				
T23-A230X	230	Q69-X874	100	2500				
T23-A350X	350	Q69-X720	100	2500				



a, b Tip, ring electrode
e Center electrode

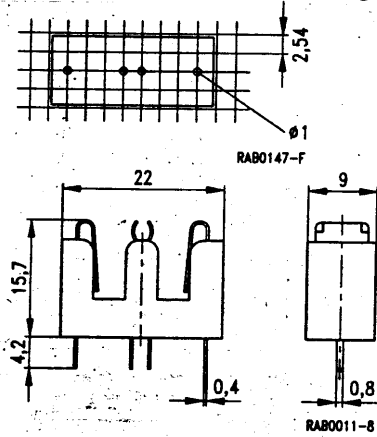
1) Matching holder: T80-A1

Surge Arresters

Holders

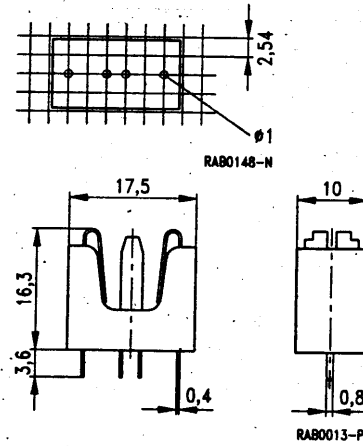
A4-A1

Hole arrangement on 2,54 mm grid



T80-A1

Hole arrangement on 2,54 mm grid



Type	For arresters:		Ordering code	Min. qty.	Max. qty.				
	Dimensions	Max. number							
A4-A1	Ø 8 × 6	2	Q81-X163	100	2500				
T80-A1	Ø 8 × 10 ¹⁾	1	Q81-X162	100	2500				

1) For 3-electrode surge arrester
The holders are supplied unequipped.