



## Features

- Carbon element
- Plain or knurled shaft option
- Metal bushing
- Metal shaft
- Rear solder lugs
- Audio or linear taper options
- Variety of resistance values



- Detent at "no-load" position
- RoHS compliant\*

## PDB241-GNL Series - "No-Load" Guitar Potentiometer

### Electrical Characteristics

Taper.....Audio, linear  
 Standard Resistance.....10K to 1M ohms  
 Standard Resistance Tolerance.....±20 %

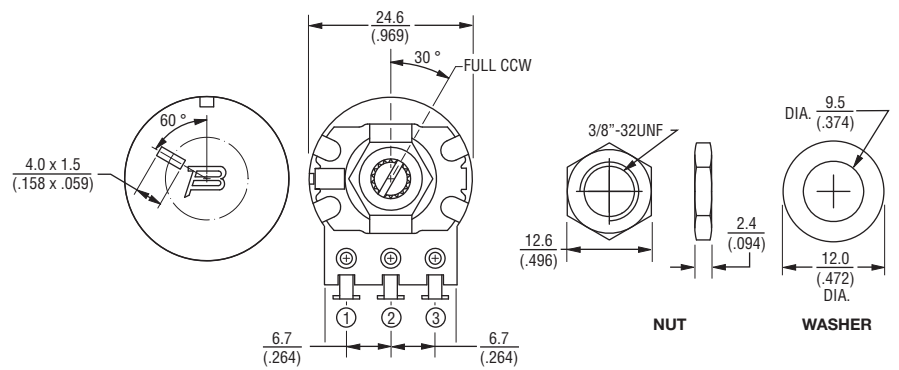
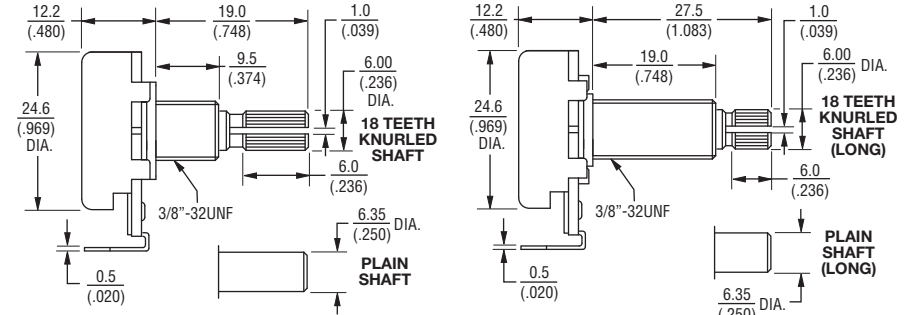
### Environmental Characteristics

Operating Temperature  
 .....-10 °C to +70 °C  
 Power Rating.....0.25 watt  
 Maximum Operating Voltage.....250 V  
 Rotational Noise.....150 mV max.

### Mechanical Characteristics

Mechanical Angle.....300 ° ±5 °  
 Rotational Torque.....50 to 150 gf-cm  
 Stop Strength.....8 kg-cm min.  
 Rotational Life.....15,000 cycles min.  
 Detent Position.....300 °  
 Detent Torque.....100-300 gf-cm  
 Soldering Condition  
 Manual Soldering  
 .....300 °C within 3 seconds  
 Wave Soldering  
 .....260 °C within 3 seconds  
 Hardware.....Two flat washers  
 and two mounting nuts supplied  
 per potentiometer

### Product Dimensions



TOLERANCES:  
 UNDER 10.0 = ±0.3    10.0 - 100 = ±0.5  
           (0.394)   (±0.012)   (0.394 - 3.937)   (±0.020)

DIMENSIONS:    MM  
                           (INCHES)

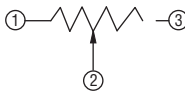
### Derating Curve



### Standard Resistance Table

Resistance (Ohms)	Resistance Code
10,000	103
25,000	253
50,000	503
100,000	104
250,000	254
300,000	304
500,000	504
1,000,000	105

### Circuit



### How To Order

**PDB24 1 - GNL 01 - 504 A2**

Model \_\_\_\_\_  
 Number of Units \_\_\_\_\_  
 1 = Single  
 Guitar Pot Designator \_\_\_\_\_  
 Configuration \_\_\_\_\_  
 01 = Knurled Shaft (18-Tooth) / Solder Lugs  
 02 = Plain Shaft / Solder Lugs  
 03 = Knurled Shaft (18-Tooth, Long) / Solder Lugs  
 04 = Plain Shaft (Long) / Solder Lugs  
 11 = Knurled Shaft (24-Tooth) / Solder Lugs  
 13 = Knurled Shaft (24-Tooth, Long) / Solder Lugs  
 Resistance Code (See Table) \_\_\_\_\_  
 Resistance Taper (See Taper Charts) \_\_\_\_\_

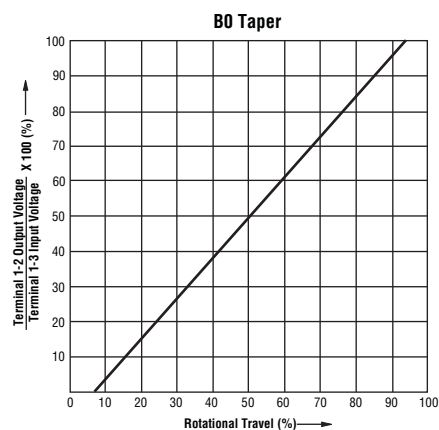
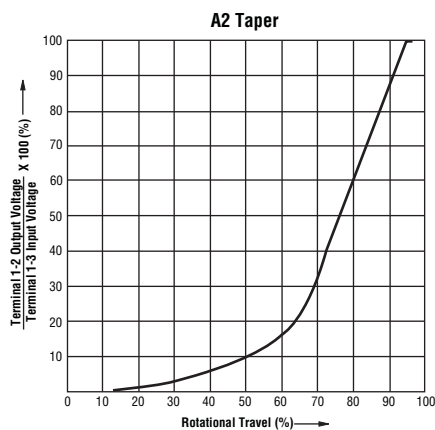
\*RoHS Directive 2002/95/EC Jan. 27, 2003 including annex and RoHS Recast 2011/65/EU June 8, 2011. Specifications are subject to change without notice.

The device characteristics and parameters in this data sheet can and do vary in different applications and actual device performance may vary over time. Users should verify actual device performance in their specific applications.

# PDB241-GNL Series - "No-Load" Guitar Potentiometer

# BOURNS®

## Taper Chart



Inquire for availability of other tapers.