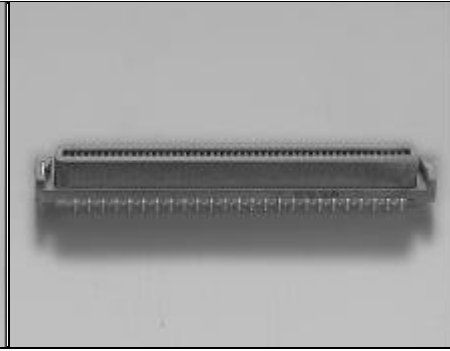
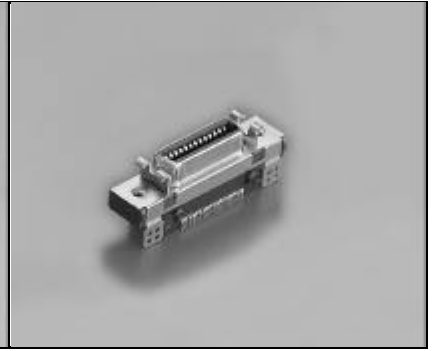


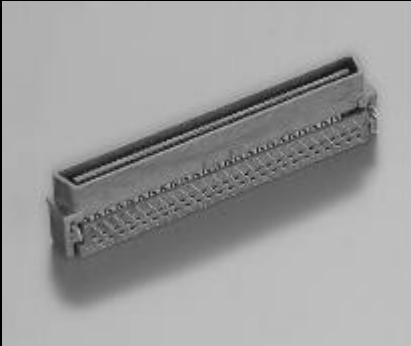
FEMALE RIGHT ANGLE



FEMALE STRAIGHT



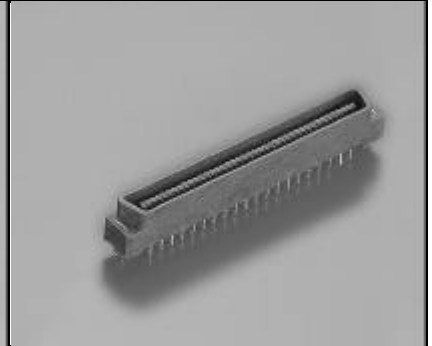
FEMALE S.M.T



MALE RIGHT ANGLE



MALE STRAIGHT-SHIELD



MALE STRAIGHT-PLASTIC

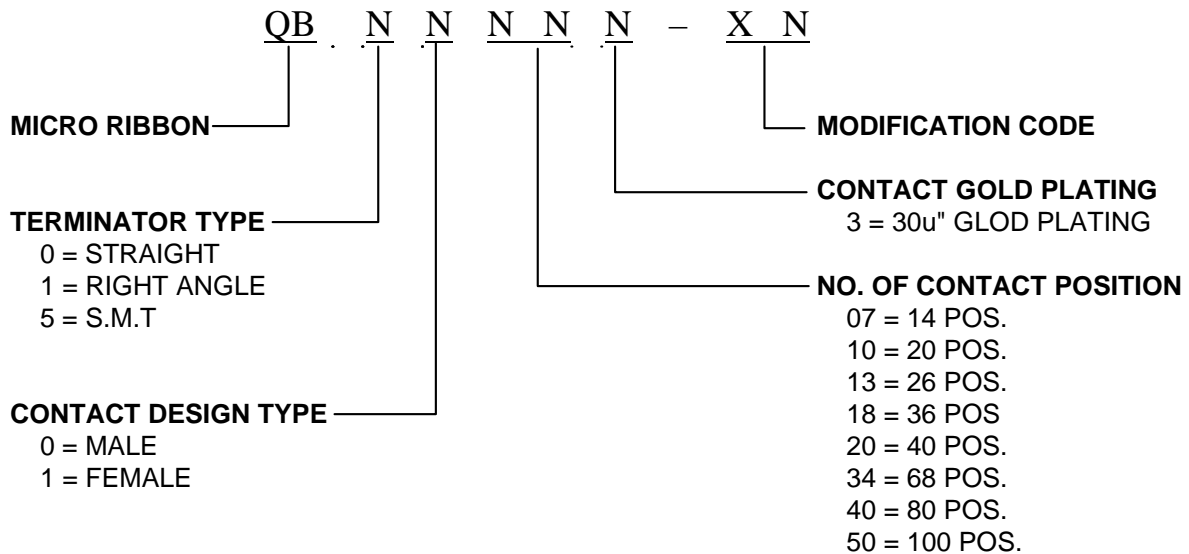
MATERIALS/FINISHES

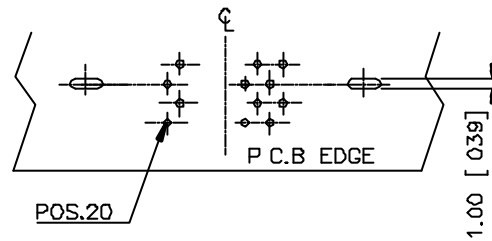
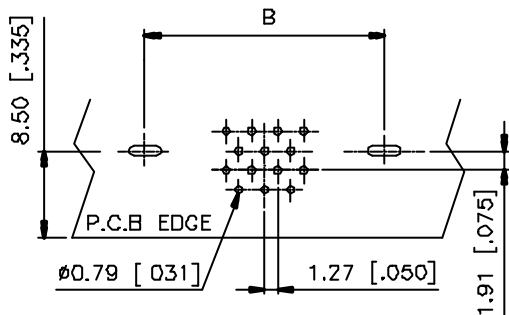
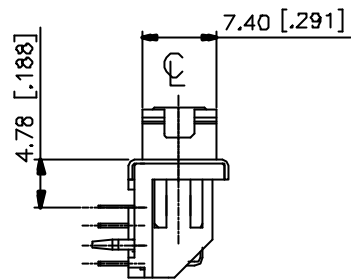
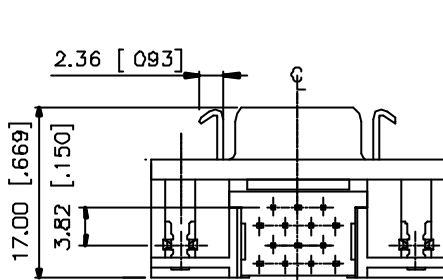
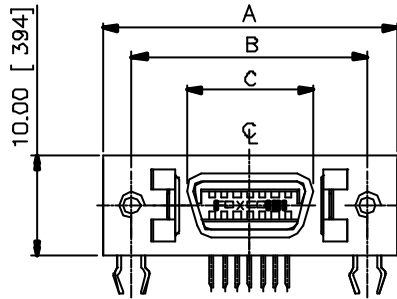
INSULATOR
 THERMOPLASTIC (UL94V-0)
CONTACT
 COPPER ALLOY
 CONTACT AREA:
 GOLD OVER Ni (50 80u")
 TIN OVER Ni (50 80u")
SHELL
 STEEL
 Ni PLATING

SPECIFICATION

ELECTRICAL CHARACTERISTICS :
 * LOW LEVEL CONTACT RESISTANCE : 35 m MAX.
 * DIELECTRIC WITHSTANDING VOLTAGE : 500 VAC MIN.
 * INSULATION RESISTANCE : 1000 M MIN.
 * CONTACT CURRENT RATING : 1 Ampere
MECHANICAL CHARACTERISTICS :
 * CONNECTOR INSERTION FORCE : 3.5 oz. MAX.
 * CONNECTOR EXTRACTION FORCE : 0.7 oz. MAX.
 * DURABILITY :
 * OPERATING TEMPERATURE : -55 TO +85

ORDER INFORMATION



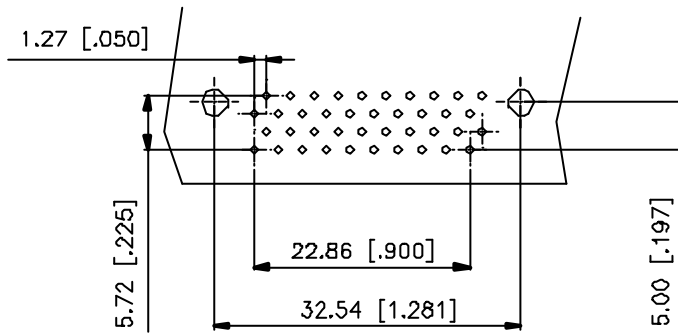
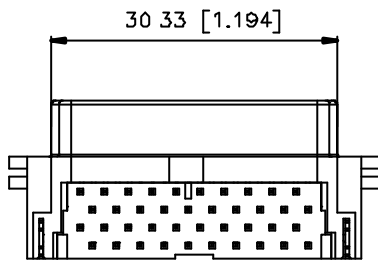
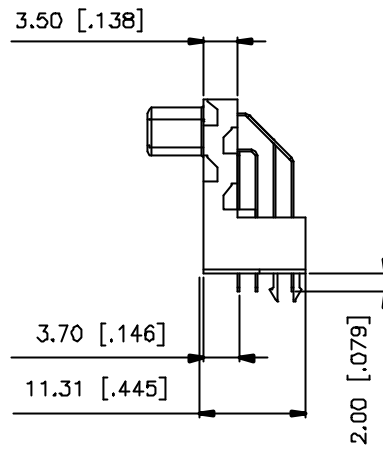
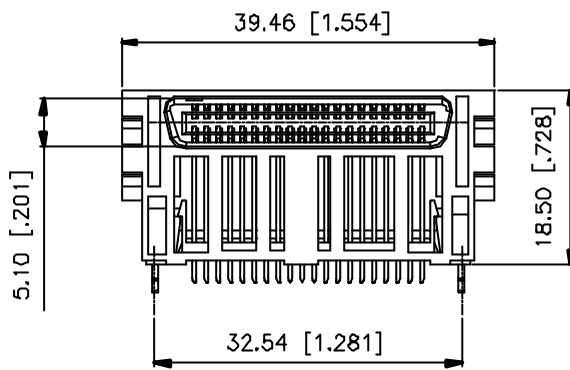


(FOR 14 POSITIONS ONLY)

(FOR 36&20 POSITIONS ONLY)

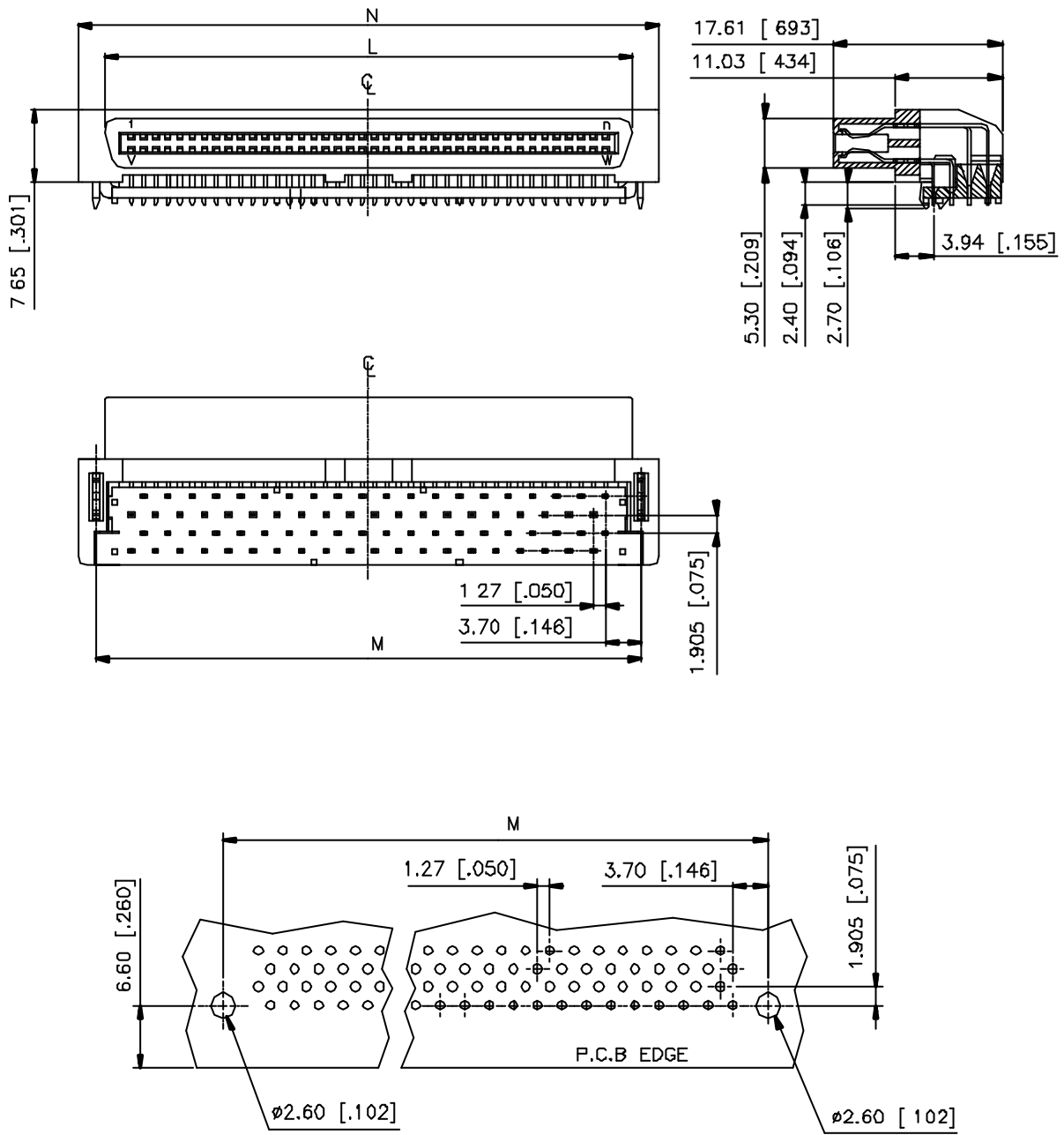
RECOMMENDED P.C.B LAYOUT
(TOP VIEW)

QB11073-B1	BLACK	M2.6x0.45	14	29.54 [1.163]	23.64 [0.931]	12.62 [0.497]
QB11183-B1	BLACK	M2.6x0.45	36	43.51 [1.713]	37.61 [1.481]	26.59 [1.047]
QB11103-B1	BLACK	M2.5x0.45	20	33.35	27.45	16.43
QB11103-W1	IVORY			[1.313]	[1.081]	[0.647]
PROD. NO.	COLOR	THREAD	POS.	A	B	C



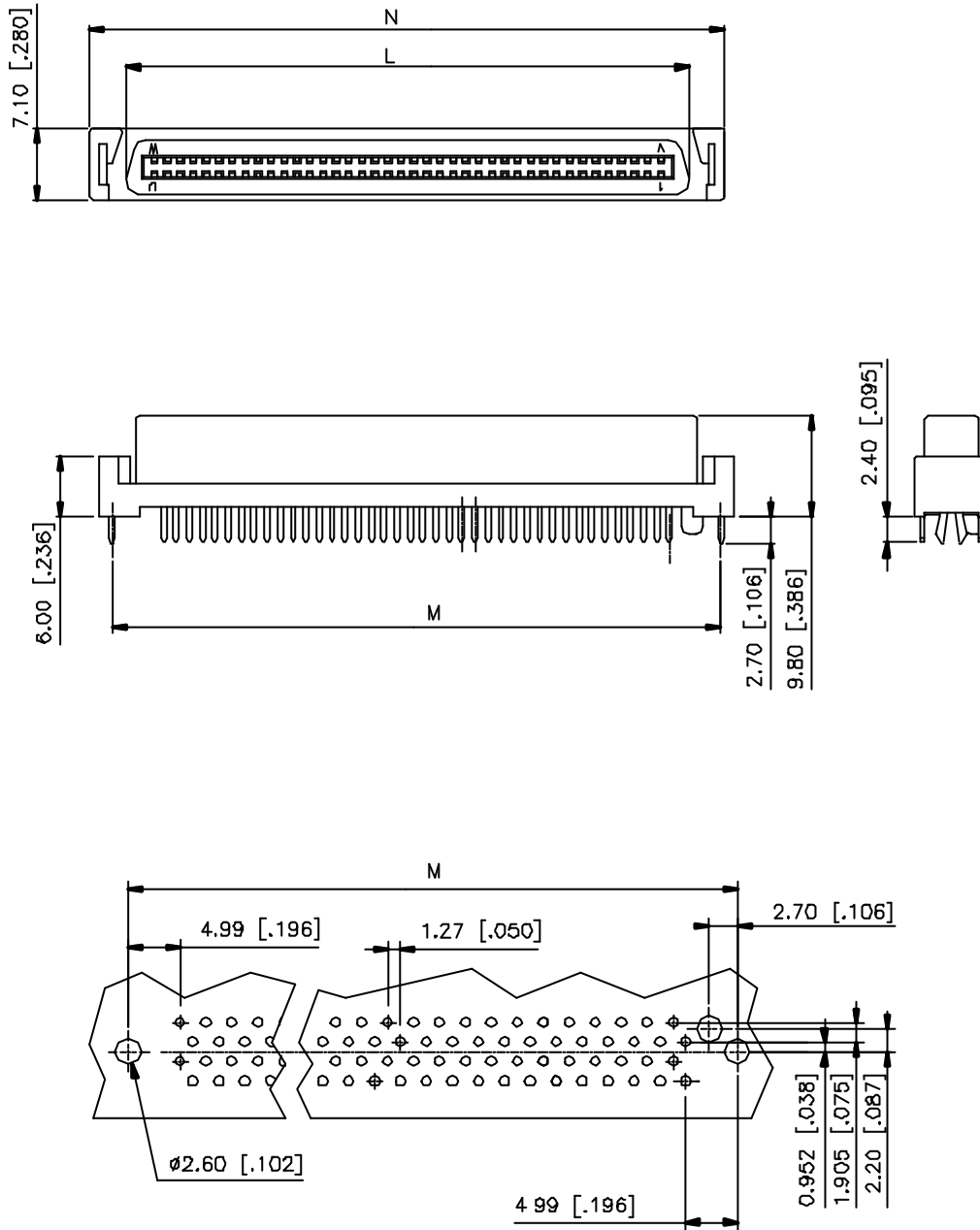
RECOMMENDED P.C.B LAYOUT
(TOP VIEW)

QB11203-R2	40 POS.
PROD. NO.	NO. OF POS.



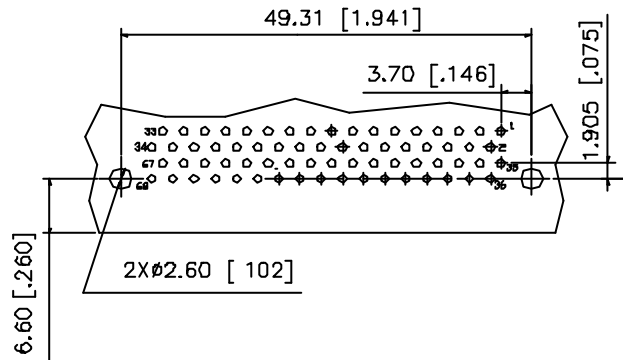
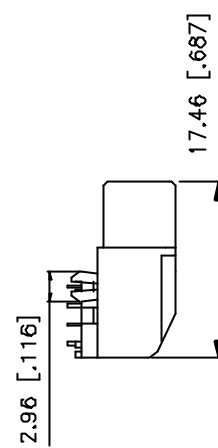
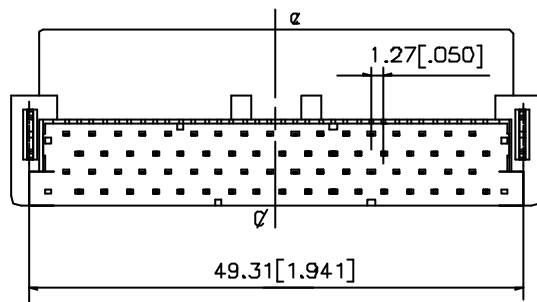
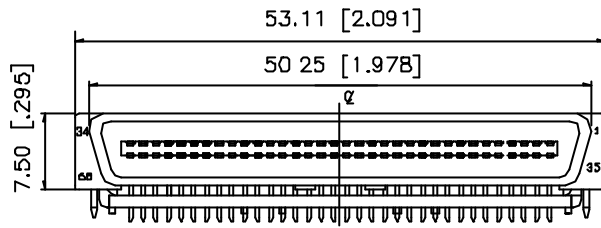
RECOMMENDED P.C.B LAYOUT
(TOP VIEW)

QB11403-P1	80	55.07 [2.168]	56.93 [2.241]	60.73 [2.391]
PROD. NO.	NO. OF POS.	L	M	N



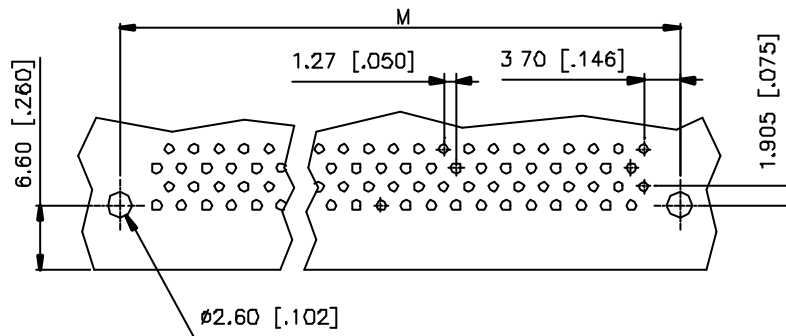
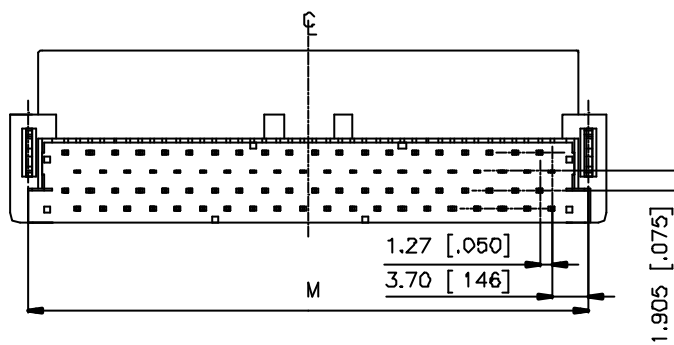
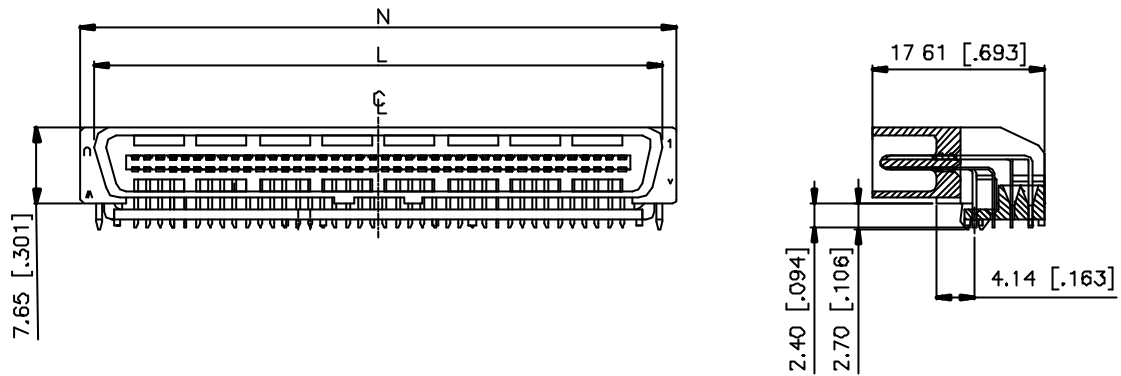
RECOMMENDED P.C.B LAYOUT
(TOP VIEW)

QB01503-P1	100	67.77 [2.668]	72.21 [2.843]	74.85 [2.947]
PROD. NO.	NO. OF POS.	L	M	N



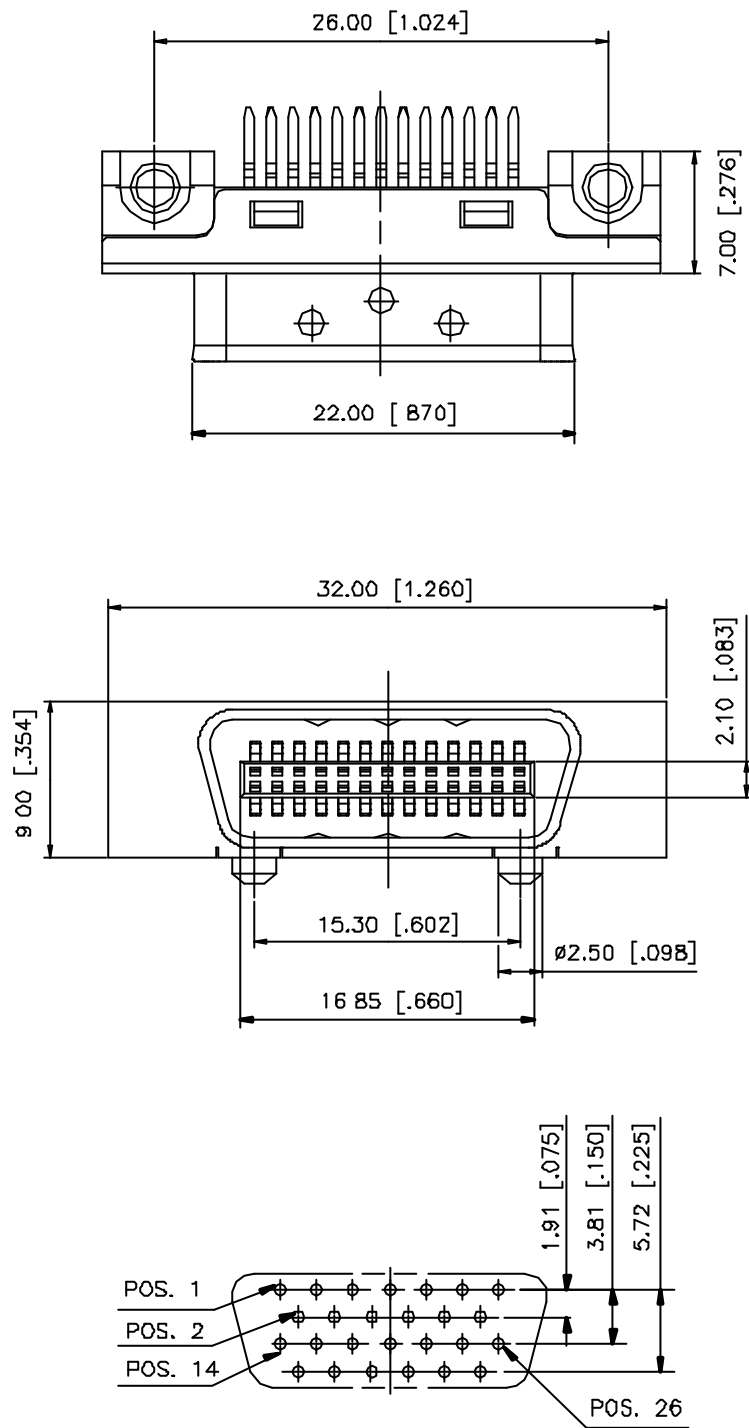
RECOMMENDED P.C.B LAYOUT
(TOP VIEW)

QB10343-P1	68 POS.
PROD. NO.	NO. OF POS.



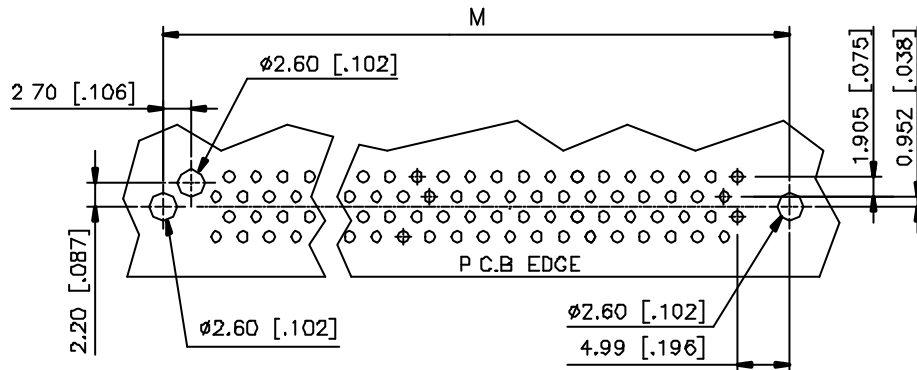
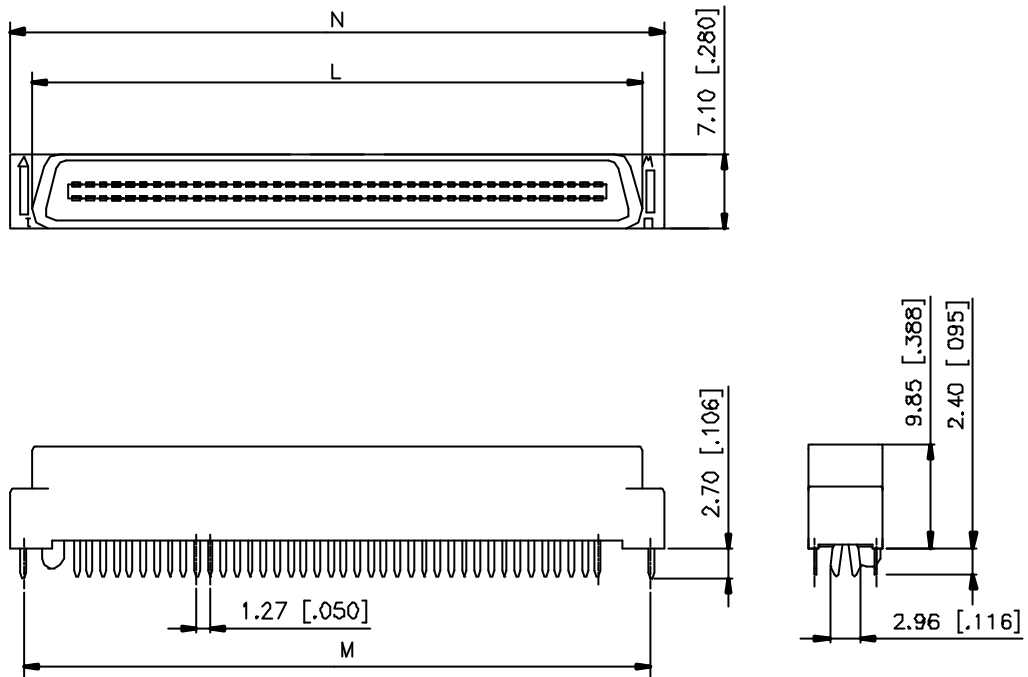
RECOMMENDED P.C.B LAYOUT
(TOP VIEW)

QB10403-P1	80	57.87 [2.278]	56.93 [2.241]	60.73 [2.391]
QB10503-P1	100	70.57 [2.778]	69.63 [2.741]	73.43 [2.891]
PROD. NO.	NO. OF POS.	L	M	N



RECOMMENDED P.C.B LAYOUT
(TOP VIEW)

QB00133-S1	26 POS.
PROD. NO.	NO. OF POS.



RECOMMENDED BOARD LAYOUT

QB00403-P1	80	57.87 [2.278]	59.51 [2.343]	62.15 [2.447]
PROD. NO.	NO. OF POS.	L	M	N