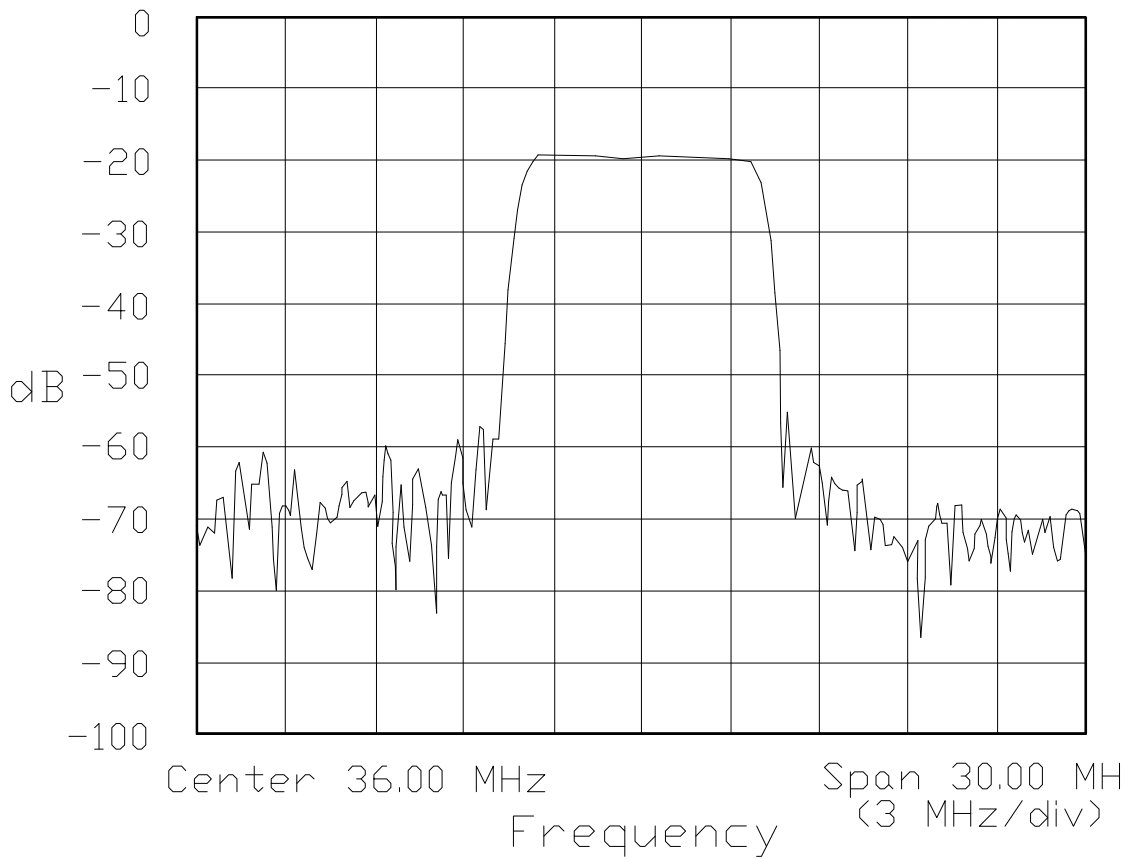


DESCRIPTION

- 36.125 MHz SAW bandpass filter with 8 MHz bandwidth for IF applications.
- 14.8 x 5.8 x 2.9 mm DIP, 5 pins.
- RoHS compliant.

TYPICAL PERFORMANCE



SPECIFICATION

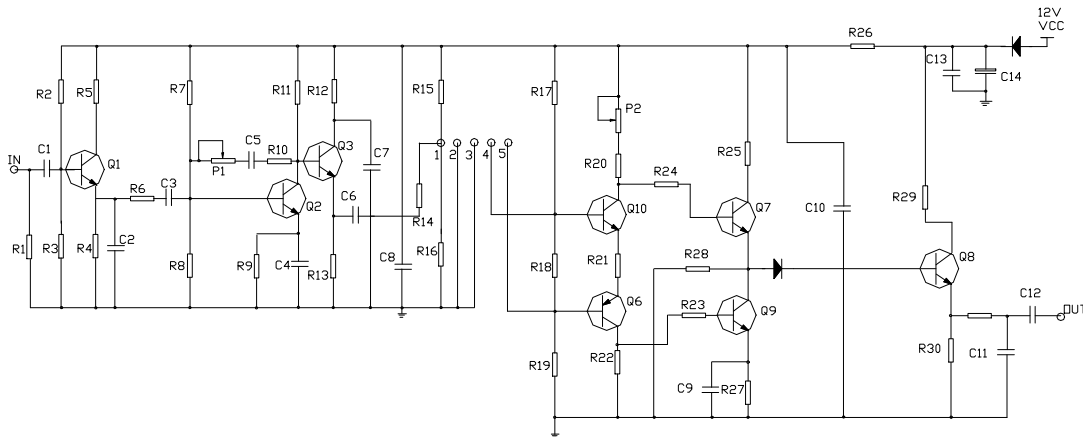
Parameter	Min	Typ	Max	Units
Center Frequency (Fc)	36.00	36.125	36.25	MHz
Insertion Attenuation ²	18.3	20.3	22.3	dB
Reference Frequency ¹	-	36.125	-	MHz
3 dB Bandwidth	-	8.0	-	MHz
30 dB Bandwidth	-	9.4	-	MHz
Relative Attenuation at 31.25 MHz	35	45	-	dB
Relative Attenuation at 32.13 MHz	0.9	2.7	4.5	dB
Relative Attenuation at 32.32 MHz	-0.6	0.9	2.4	dB
Relative Attenuation at 39.93 MHz	-0.1	1.4	2.9	dB
Relative Attenuation at 47.25 MHz	40	52	-	dB
Lower Sidelobe (25 to 31.25 MHz)	30	40	-	dB
Upper Sidelobe (40.9 to 50 MHz)	30	38	-	dB
Amplitude Ripple (32.65 to 39.65 MHz)	0	0.6	1.2	dB p-p
Reference Temperature	25			°C
Temperature Coefficient of Frequency	-72			ppm/°C
Terminating Source Impedance	50			Ω
Terminating Load Impedance	2 kΩ // 3 pF			-

- Notes: 1. Reference Frequency.
2. Shall be the reference level (0 dB) for all dB limits in specification.

MAXIMUM RATINGS

Parameter	Min	Max	Units
Storage Temperature Range	-40	85	°C
Operating Temperature Range	-25	65	°C
DC Voltage between any terminals	-	12	V _{DC}
AC Voltage between any terminals	-	10	V _{PP}

TEST CIRCUIT

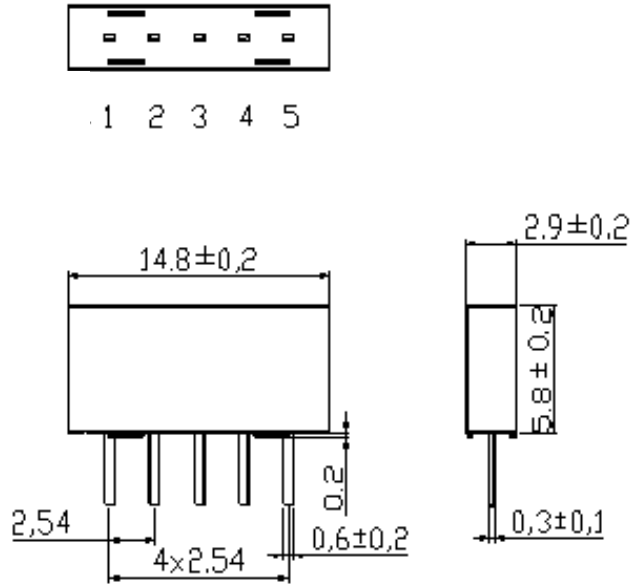


PACKAGE OUTLINE

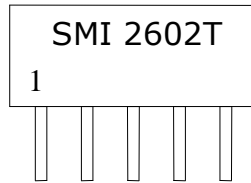
Units: mm

Pin Configuration:

- Input: 1
- Input: 2
- Ground: 3
- Output: 4
- Output: 5



MARKING



- SMI = Trade Mark
- 2602T = Model Number
- 1 = Pin 1 indicator

**ISO 9001
Registered**

All specifications are believed to be accurate and reliable. However, Spectrum Microwave reserves the right to make changes without notice.
© 2011 All rights reserved.