

1

2

3

4

A

B

C

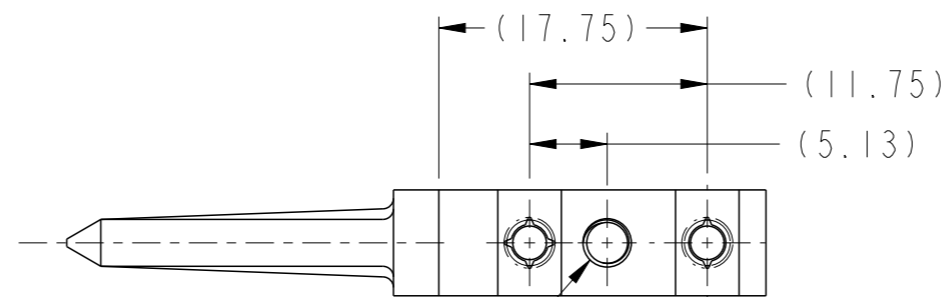
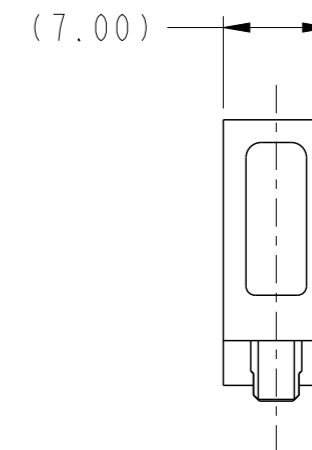
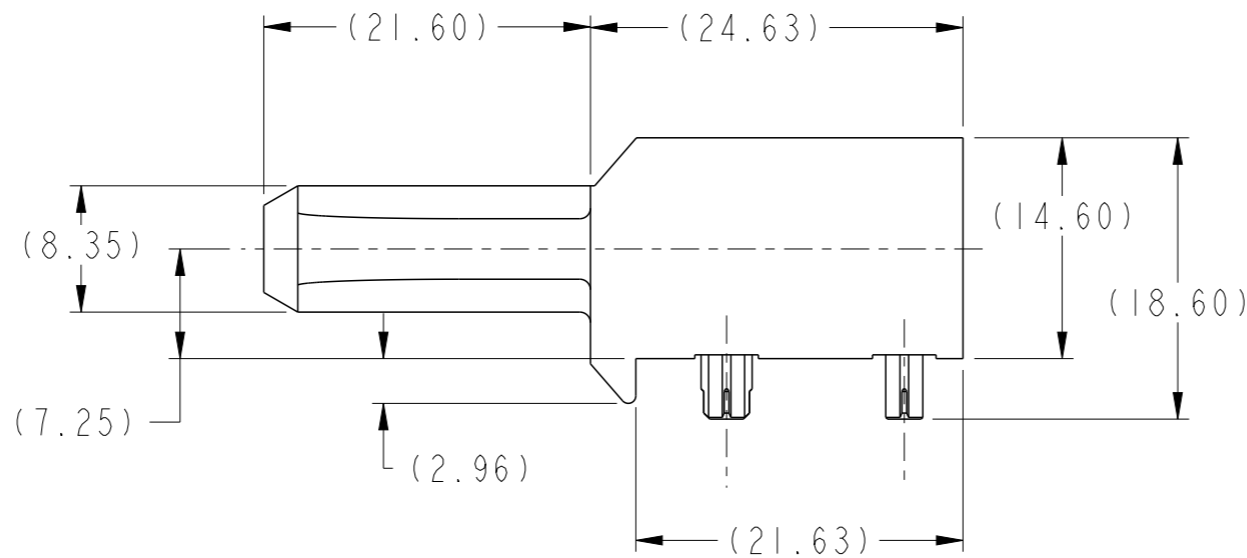
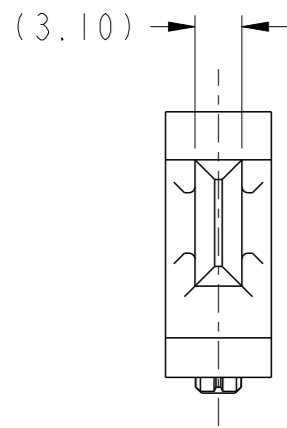
D

A

B

C

D



M3 x 0.5-6H
 x 3.0 DP.
 (0.3 X 45° CHAMFER) $\triangle C$



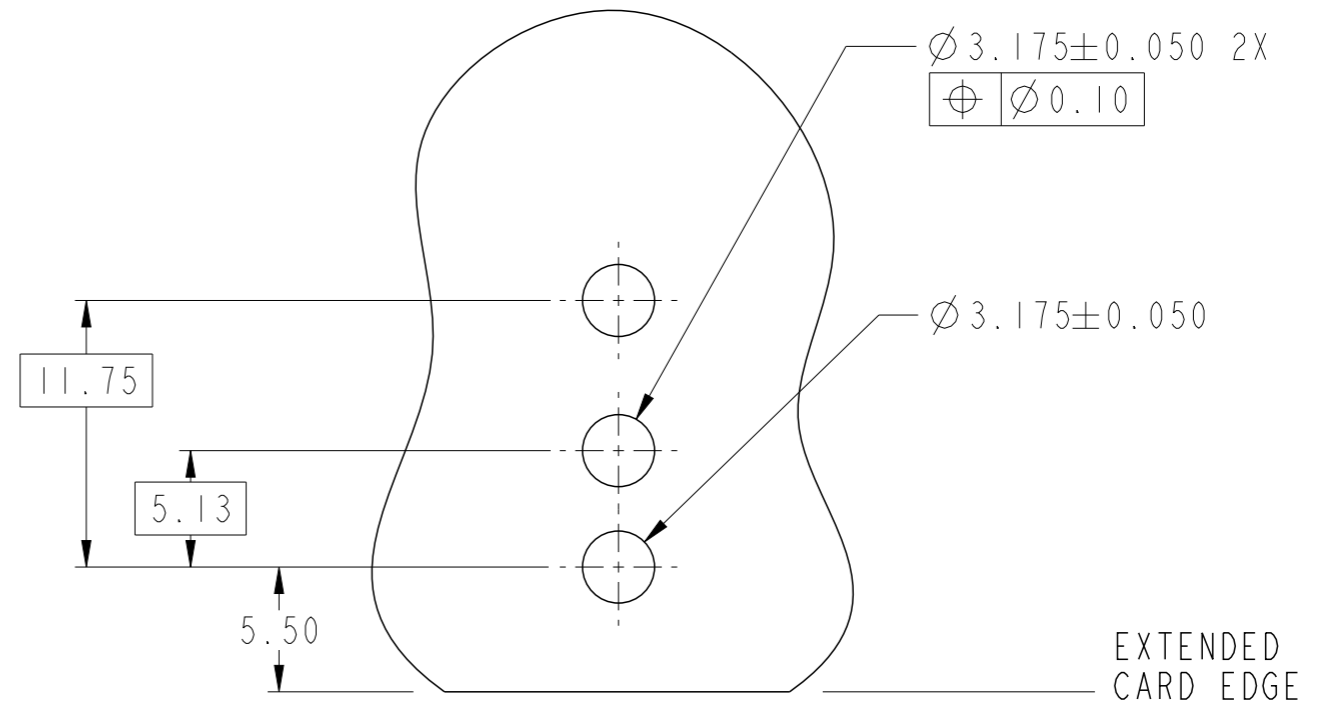
Copyright FCI.

| | | | | | | | | | | | | |
|---------------|---|---------|---------------|------------|----------------|---------------------|-----------|------------------------|----------------|--------------|-----|---|
| spec ref | | dr | Chen-Hong Tan | 2005/08/17 | projection | mm | size | A3 | scale | 2:1 | | |
| tolerance std | | eng | Yong-Keat Lim | 2011/10/04 | | mm | ecn no | | ELX-S-006144-1 | | | |
| ASME Y14.5 | | chr | - | - | | | rel level | | Released | | | |
| surface | | appr | Chen-Hong Tan | 2011/10/07 | product family | | | AirMax ACCESSORIES | | | | |
| - | ✓ | linear | 0.X | ±0.3 | | 7.2mm R/A GUIDE PIN | | | dwg no | 10044314 | rev | C |
| | | | 0.XX | ±0.10 | | 4/5 PAIR | | | | | | |
| | | | 0.XXX | ±0.050 | | cat. no. | | | | | | |
| - | | angular | 0° | ±2° | www.fci.com | | | Product - Customer Drw | | sheet 1 of 2 | | |

PART NUMBER
10044314-101LF

NOTES:

- ① MATERIAL: ZINC ALLOY.
- ② FINISH: ZINC YELLOW CHROMATE.
- ③ APPLICATION SPECIFICATION: GS-20-045.
- ④ REFER TO CUSTOMER DRAWING 10035911 FOR INFORMATION REGARDING PCB LAYOUT OF POWER AND GUIDE MODULES RELATIVE TO SIGNAL MODULES.
- ⑤ RIGHT ANGLE PIN MODULE HAS THE SAME PCB FOOTPRINT AS THE RIGHT ANGLE GUIDE SOCKET.
- 6 THIS PRODUCT MEETS EUROPEAN UNION DIRECTIVES AND OTHER COUNTRY REGULATIONS AS DESCRIBED IN GS-22-008.
- 7 PACKAGING MEETS GS-14-920 LEAD FREE LABELING SPECIFICATION.
- 8. A $\triangle C$ SYMBOL WILL BE NEXT TO ANY DIMENSION, VIEW, OR NOTE WHICH HAS BEEN MODIFIED WITH THE CURRENT DRAWING REVISION.



RECOMMENDED PCB LAYOUT
SEE NOTE 3, 4, & 5
SCALE 3:1



Copyright FCI.

| | | | | | | | | | | |
|---------------|---------|-------|---------------|------------|----------------|---------------------|-----------|------------------------|----------------|--------------|
| spec ref | | dr | Chen-Hong Tan | 2005/08/17 | projection | mm | size | A3 | scale | 1:1 |
| tolerance std | | eng | Yong-Keat Lim | 2011/10/04 | | mm | ecn no | | ELX-S-006144-1 | |
| ASME Y14.5 | | chr | - | - | | | rel level | | Released | |
| surface | | appr | Chen-Hong Tan | 2011/10/07 | product family | | | AirMax ACCESSORIES | | rev |
| - ✓ | linear | 0.X | | ±0.3 | | 7.2mm R/A GUIDE PIN | | | dwg no | 10044314 |
| | | 0.XX | | ±0.10 | | 4/5 PAIR | | | | |
| | | 0.XXX | | ±0.050 | | | | | | |
| - | angular | 0° | | ±2° | www.fci.com | cat. no. | - | Product - Customer Drw | | sheet 2 of 2 |