

**PLEASE CHECK WWW.MOLEX.COM FOR LATEST PART INFORMATION**

**Part Number:** [0190690054](#)  
**Status:** **Active**  
**Description:** Krimptite™ Ring Tongue Terminal for 18-22 AWG Wire

**Documents:**  
[Drawing \(PDF\)](#) [RoHS Certificate of Compliance \(PDF\)](#)

**Agency Certification**

CSA LR18689  
 UL E32244

**General**

Product Family Ring and Spade Terminals  
 Series [19069](#)  
 Crimp Quality Equipment Yes  
 Mil-Spec N/A  
 Product Name Krimptite™  
 Type Ring

**Physical**

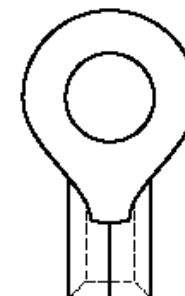
Barrel Type Closed  
 Insulation None  
 Material - Plating Mating Tin  
 Packaging Type Bag  
 Stud Size 5-6 (M3-3.5)  
 Termination Interface: Style Crimp or Compression  
 Wire Size AWG 18, 20, 22  
 Wire Size mm<sup>2</sup> 0.35 - 0.80

**Material Info**

Old Part Number AA-132-06

**Reference - Drawing Numbers**

Sales Drawing SD-19069-004



*Series  
 image - Reference only*

**EU RoHS**  
**ELV and RoHS**  
**Compliant**  
**REACH SVHC**  
**Contains SVHC: No**  
**Halogen-Free**  
**Status**  
**Halogen-Free**



**Need more information on product environmental compliance?**

Email [productcompliance@molex.com](mailto:productcompliance@molex.com)  
 For a multiple part number RoHS Certificate of Compliance, [click here](#)

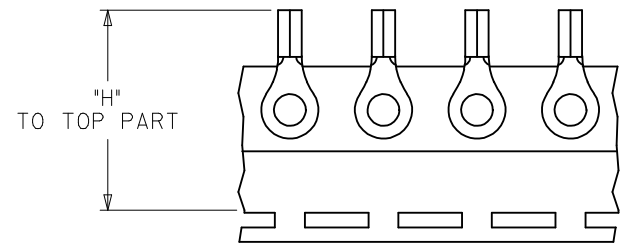
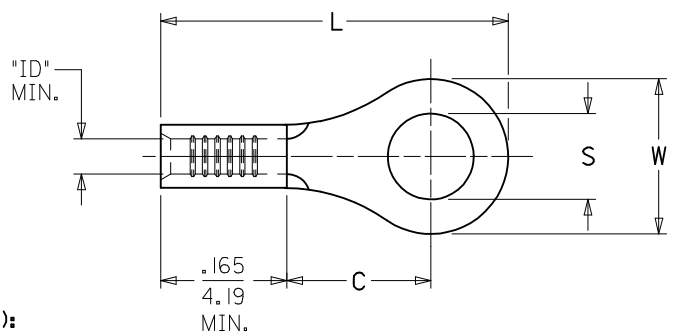
Please visit the [Contact Us](#) section for any non-product compliance questions.

**Search Parts in this Series**  
[19069Series](#)

**Application Tooling | [FAQ](#)**  
*Tooling specifications and manuals are found by selecting the products below. Crimp Height Specifications are then contained in the Application Tooling Specification document.*

| <b>Global</b>                                  |                            |
|--|----------------------------|
| <b>Description</b>                             | <b>Product #</b>           |
| Hand Crimp Tool                                | <a href="#">0640030100</a> |
| Crimp Head for the AT-200™ Pneumatic Hand Tool | <a href="#">0640070100</a> |

| 10                       | 9          | 8                         | 7           | 6         | 5                       | 4            | 3            | 2             | 1           |                 |                |
|--------------------------|------------|---------------------------|-------------|-----------|-------------------------|--------------|--------------|---------------|-------------|-----------------|----------------|
| MATERIAL NO. LOOSE PIECE | ENG. NO.   | MATERIAL NO. TAPE MOUNTED | ENG. NO.    | STUD SIZE | "S" ±.003/(0.08)        | "W" MAX.     | "C" MIN.     | "L" MAX.      | "ID" MIN.   | STOCK THICKNESS | "H" ±.020/0.51 |
| 190690027                | AA-120-02  | 190690028                 | AA-120-02T  | 2         | .094/(2.39)             | .235/(6.00)  | .157/(3.99)  | .484/(12.29)  | .062/(1.57) | .028/(0.71)     | 1.155/(29.34)  |
| 190690029                | AA-120-04  | 190690030                 | AA-120-04T  | 4         | .119/(3.02)             |              |              |               |             |                 |                |
| 190690031                | AA-120-06  | 190690032                 | AA-120-06T  | 6         | .146/(3.71)             |              |              |               |             |                 |                |
| 190690033                | AA-121-06  | 190690034                 | AA-121-06T  | 6         | .146/(3.71)             | .322/(8.18)  | .270/(6.86)  | .641/(16.28)  | .062/(1.57) | .028/(0.71)     | 1.155/(29.34)  |
| 190690035                | AA-121-08  | 190690036                 | AA-121-08T  | 8         | .173/(4.39)             |              |              |               |             |                 |                |
| 190690037                | AA-121-10  | 190690038                 | AA-121-10T  | 10        | .198/(5.03)             |              |              |               |             |                 |                |
| 190690039                | AA-121-209 | 190690475                 | AA-121-209T | 209       | .209/(5.18)             | .477/(12.11) | .386/(9.80)  | .835/(21.21)  | .062/(1.57) | .028/(0.71)     | 1.155/(29.34)  |
| 190690040                | AA-122-10  | 190690041                 | AA-122-10T  | 10        | .198/(5.03)             |              |              |               |             |                 |                |
| 190690042                | AA-122-14  | 190690044                 | AA-122-14T  | 14        | .265/(6.71)             |              |              |               |             |                 |                |
| 190690045                | AA-122-56  | 190690046                 | AA-122-56T  | 56        | .328/(8.33)             | .544/(13.82) | .552/(14.02) | 1.034/(26.26) | .055/(1.40) | .031/(0.79)     | 1.342/(34.09)  |
| 190690047                | AA-126-10  | -----                     | -----       | 10        | .198/(5.03)             |              |              |               |             |                 |                |
| 190690048                | AA-126-14  | 190690128                 | AA-126-14T  | 14        | .265/(6.71)             |              |              |               |             |                 |                |
| 190690051                | AA-126-56  | -----                     | -----       | 56        | .328/(8.33)             | .264/(6.70)  | .240/(6.10)  | .582/(14.78)  | .062/(1.57) | .028/(0.71)     | 1.155/(29.34)  |
| 190690049                | AA-126-38  | 190690050                 | AA-126-38T  | 38        | .390/(9.91)             |              |              |               |             |                 |                |
| 190690052                | AA-132-04  | 190690053                 | AA-132-04T  | 4         | .119/(3.02)             |              |              |               |             |                 |                |
| 190690054                | AA-132-06  | 190690055                 | AA-132-06T  | 6         | .146/(3.71)             | .283/(7.20)  | .240/(6.10)  | .591/(15.00)  | .062/(1.57) | .028/(0.71)     | 1.155/(29.34)  |
| 190690056                | AA-132-08  | 190690057                 | AA-132-08T  | 8         | .173/(4.39) <b>(C1)</b> |              |              |               |             |                 |                |
| 190690061                | AA-133-10  | 190690062                 | AA-133-10T  | 10        | .198/(5.03)             |              |              |               |             |                 |                |
| 190690024                | AA-1111-02 | 190690191                 | AA-1111-02T | 2         | .094/(2.39)             | .197/(5.00)  | .173/(4.40)  | .490/(12.40)  | .055/(1.40) | .031/(0.79)     | 1.155/(29.34)  |
| 190690025                | AA-1111-04 | 190690026                 | AA-1111-04T | 4         | .119/(3.02)             |              |              |               |             |                 |                |



SALES DRAWING

**NOTE(S):**  
 1. MATERIAL: COPPER.  
 2. PLATING: ELECTRO-TIN.  
 3. ALL DIMENSIONS IN INCHES/(MM).  
 WIRE SIZE:  
 22-18 AWG  
 0.25-1.5 MM<sup>2</sup>  
**(C1)** 4. PARTS ARE ROHS COMPLIANT.

|   |                      |  |   |  |              |                        |
|---|----------------------|--|---|--|--------------|------------------------|
| FIX TYPO ON .173 DIM<br>EC NO: WNA2009-0432<br>DRAWN BY: THRODAHL 2009/01/15<br>CHKD: JMACNEIL 2009/01/16<br>APPR: JMACNEIL 2009/01/16<br><b>(C1)</b> | QUALITY SYMBOLS      | GENERAL TOLERANCES (UNLESS SPECIFIED)                | DIMENSION STYLE   | SCALE  | DESIGN UNITS | THIRD ANGLE PROJECTION |
|   | ▽=0                  | mm INCH  | IN/MM   | 1:1  | INCH         |                        |
|   | ▽=0                  | 4 PLACES ± --- ± ---                                 | DRAWN BY DATE   | RING TONGUE TERMINAL<br>KRIMPTITE, 100 SERIES<br>22-18 AWG |              |                        |
|   |                      | 3 PLACES ± --- ± ---                                 | BDEROSS 2000/6/13   |  |              |                        |
|   | 2 PLACES ± --- ± --- | CHECKED BY DATE                                      | MOLEX INCORPORATED<br>DOCUMENT NO. SD-19069-004<br>SHEET NO. 1 OF 1   |  |              |                        |
|   | 1 PLACE ± --- ± ---  | JHACKNEY 2000/6/13                                   |   |  |              |                        |
|   | ANGULAR ± ---°       | APPROVED BY DATE                                     | THIS DRAWING CONTAINS INFORMATION THAT IS PROPRIETARY TO MOLEX INCORPORATED AND SHOULD NOT BE USED WITHOUT WRITTEN PERMISSION |  |              |                        |
|   |                      | RDEROSS 2000/6/13                                    |   |  |              |                        |
|   |                      | MATERIAL NO.   |   |  |              |                        |
|   |                      | DRAFT WHERE APPLICABLE MUST REMAIN WITHIN DIMENSIONS | SEE CHART   |  |              |                        |
|   |                      | SIZE B   |   |  |              |                        |