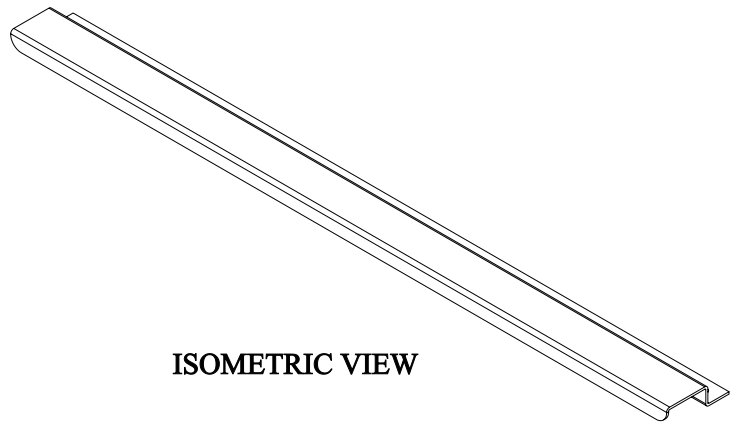


PART No. DK24GY

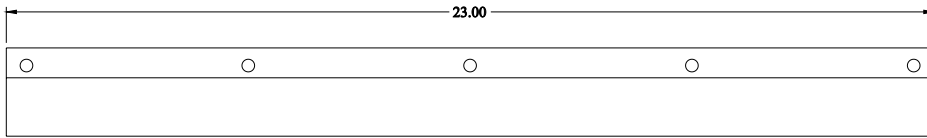
for more information visit
www.hammfg.com

Data subject to change without notice

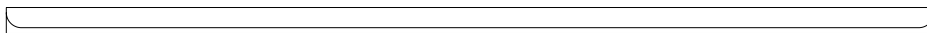
Isometric drawing Not to Scale



ISOMETRIC VIEW



TOP VIEW



FRONT VIEW



SIDE VIEW