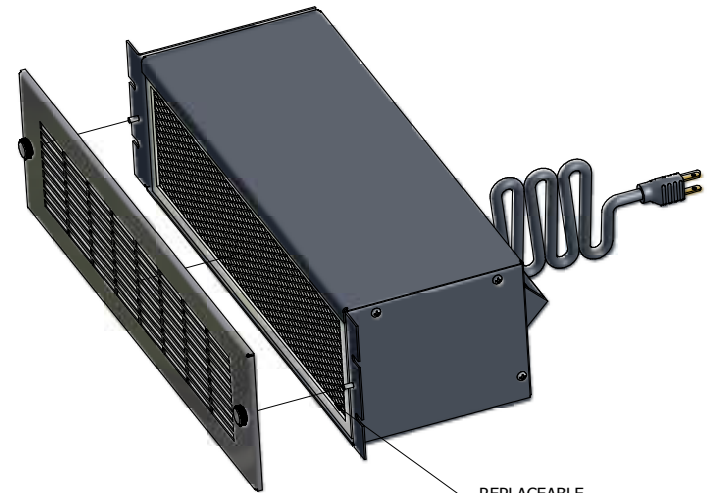


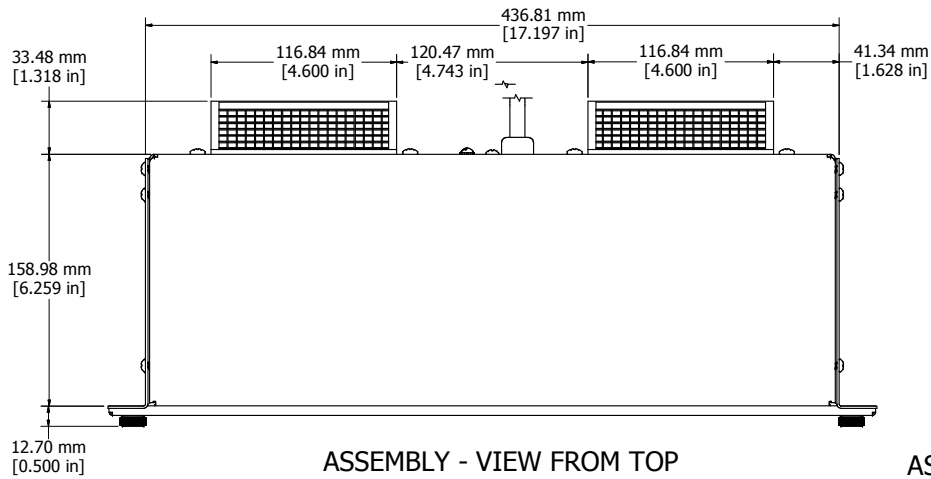
ASSEMBLY - VIEW FROM BACK

6' FOOT POWER CORD

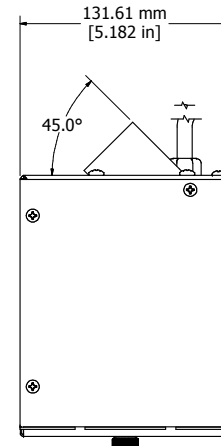


REPLACEABLE FILTER

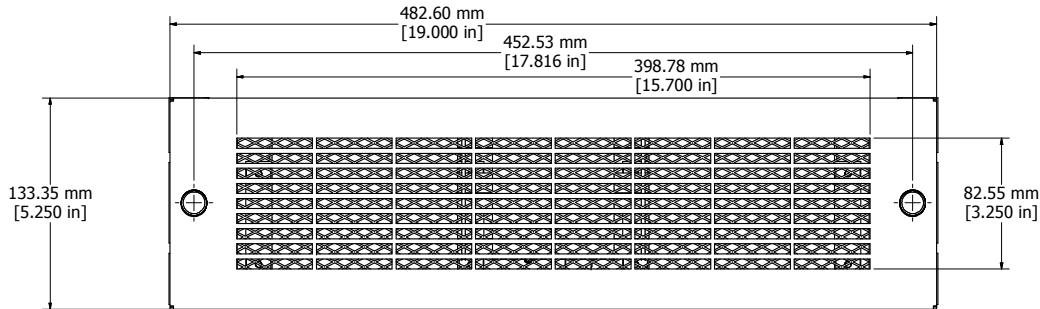
ISOMETRIC VIEW



ASSEMBLY - VIEW FROM TOP



ASSEMBLY - VIEW FROM SIDE



ASSEMBLY - VIEW FROM FRONT

HB3250A
Finish - Front Screen - Polished Stainless Steel
- Case - Painted Black Steel
115 VAC, 50/60 Hz, 1.2 Amps, 155/200 CFM
Motor - UL Recognized, CSA Certified, Ball Bearing Type
ACCESSORIES
Replacement Filter - HB3UFILTER (Package of 5)



**HAMMOND
MANUFACTURING™**

HB3250A

www.hammondmfg.com