



FCU20UC20

Preliminary

DIODE

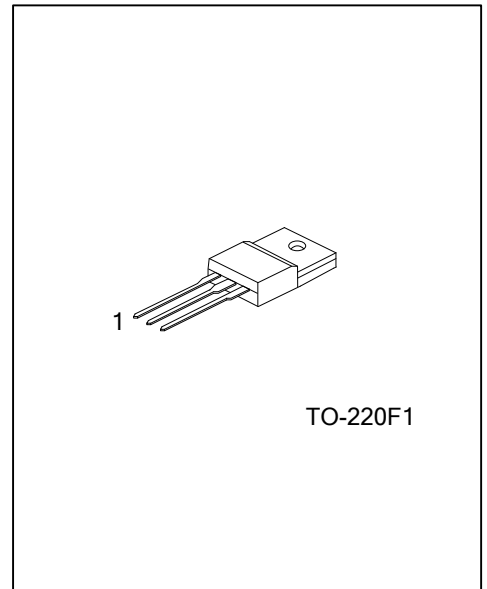
SILICON DIODE

DESCRIPTION

The UTC **FCU20UC20** is a diode, it uses UTC's advanced technology to provide customers with low peak reverse current, etc.

FEATURES

* Low peak reverse current



ORDERING INFORMATION

Ordering Number		Package	Pin Assignment			Packing
Lead Free	Halogen Free		1	2	3	
FCU20UC20L-TF1-T	FCU20UC20G-TF1-T	TO-220F1	A	K	A	Tube

<p>FCU20UC20L-TF1-T</p> <p>(1) Packing Type (2) Package Type (3) Halogen Free</p>	<p>(1) T: Tube (2) TF1 : TO-220F1 (3) L: Lead Free, G: Halogen Free</p>
---	---

■ ABSOLUTE MAXIMUM RATINGS

PARAMETER	SYMBOL	RATINGS	UNIT
Repetitive Peak Reverse Voltage	V_{RRM}	200	V
Average Rectified Forward Current	I_O	20	A
R.M.S Forward Current	$I_{F(RMS)}$	22.2	A
Surge Forward Current	I_{FSM}	120	A
Storage Temperature	T_{STG}	-40~+150	°C
Operating Junction Temperature	T_J	-40~+150	°C
Mounting Torque	F_{TOR}	0.5	N·m

Note: Absolute maximum ratings are those values beyond which the device could be permanently damaged.
Absolute maximum ratings are stress ratings only and functional device operation is not implied.

■ THERMAL RESISTANCE

PARAMETER	SYMBOL	RATINGS	UNIT
Junction to Case	θ_{JC}	2	°C/W

■ ELECTRICAL CHARACTERISTICS

PARAMETER	SYMBOL	TEST CONDITIONS	MIN	TYP	MAX	UNIT
Peak Reverse Current	I_{RM}	$T_J=25^\circ\text{C}, V_{RM}=V_{RRM}$			25	μA
Peak Forward Voltage	V_{FM}	$T_J=25^\circ\text{C}, I_{FM}=10\text{A}$		0.90	1.08	V
Reverse Recovery Time	t_{RR}	$I_{FM}=10\text{A}, -di/dt=50\text{A}/\mu\text{s}, T_J=25^\circ\text{C}$		22	31	ns

UTC assumes no responsibility for equipment failures that result from using products at values that exceed, even momentarily, rated values (such as maximum ratings, operating condition ranges, or other parameters) listed in products specifications of any and all UTC products described or contained herein. UTC products are not designed for use in life support appliances, devices or systems where malfunction of these products can be reasonably expected to result in personal injury. Reproduction in whole or in part is prohibited without the prior written consent of the copyright owner. The information presented in this document does not form part of any quotation or contract, is believed to be accurate and reliable and may be changed without notice.