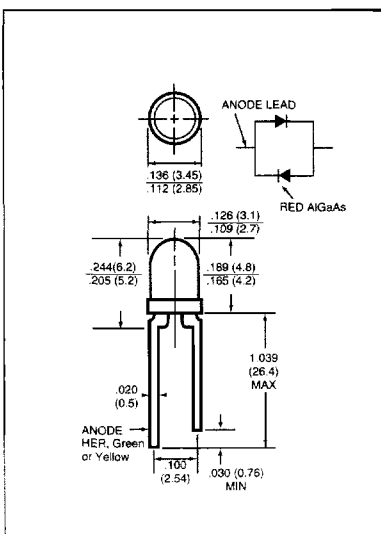
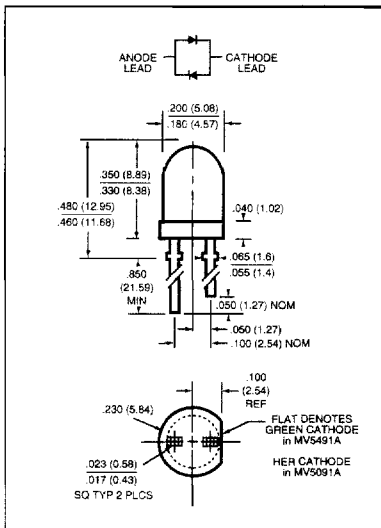


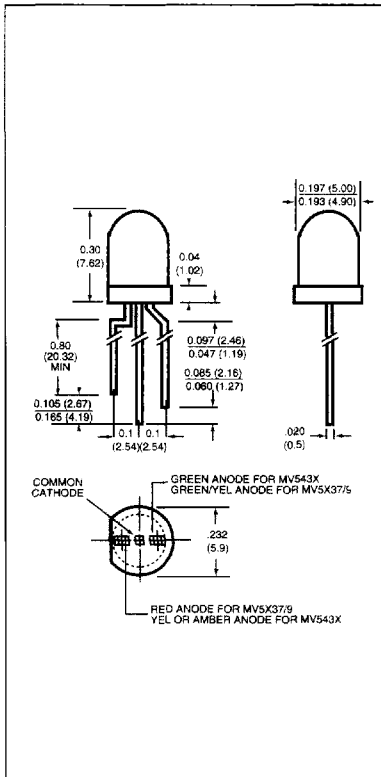
T-100 Bicolor/Bipolar LED Lamp									
Part Number	Source Color	Wave-length λ_p (nm)	Lens Color	Typical Viewing Angle	Forward Voltage V_F (V)		Luminous Intensity I_V (mcd)		Notes
					typ	max	min	typ	
MV6363T	Yellow	585	Yellow Diffused	70°	2.0	2.8	1.1	4.5	4
	Yellow	585			2.0	2.8	1.1	4.5	4
MV6366T	Yellow	585	White Duffused	70°	2.0	2.8	1.1	4.5	4
		635			2.0	2.8	1.1	4.5	4
MV6463T	Yellow	565	White Diffused	70°	2.1	2.8	1.1	4.5	4
		585			2.0	2.8	1.1	15.0	4
MV6464T	Yellow	565	Green Diffused	70°	2.1	2.8	1.1	4.5	4
		565			2.1	2.8	1.1	4.5	4
MV6466T	Yellow	565	White Diffused	70°	2.1	2.8	1.1	4.5	4
		635			2.1	2.8	1.1	4.5	4
MV6666T	Yellow	635	Red Diffused	70°	2.0	2.8	1.1	4.5	4
		635			2.0	2.8	1.1	4.5	4



T-100 Bicolor									
Part Number	Source Color	Wave-length λ_p (nm)	Lens Color	Typical Viewing Angle	Forward Voltage V_F (V)		Luminous Intensity I_V (mcd)		Notes
					typ	max	min	typ	
MV6661A	Yellow	635	Red Diffused	100°	2.1	3.0	2.5	10	4
		660			2.1	3.0	2.5	10	4
MV6461A	Yellow	565	White Diffused	100°	2.1	3.0	2.5	10	4
		660			2.1	3.0	2.5	10	4
MV6361A	Yellow	585	White Diffused	100°	2.1	3.0	2.5	10	4
		660			2.1	3.0	2.5	10	4



T-1 3/4 Bipolar									
Part Number	Source Color	Wave-length λ_p (nm)	Lens Color	Typical Viewing Angle	Forward Voltage V_F (V) typ max		Luminous Intensity I_V (mcd) min typ		Notes
MV5094A		660 635	Red Diffused	75°	2.3	3.0	2.0	6.0	4
MV5491A		660 565	White Diffused	100°	2.3	3.0	2.0	6.0	4



T-1 3/4 Bicolor 3-lead, Common Cathode LED Lamp									
Part Number	Source Color	Wave-length λ_p (nm)	Lens Color	Typical Viewing Angle	Forward Voltage V_F (V) typ max		Luminous Intensity I_V (mcd) min typ		Notes
MV5337	Yellow	585 635	White Diffused	100°	2.1	3.0	2.0	6.0	4
MV5433	Yellow	565 585	White Diffused	100°	2.3	3.0	2.0	6.0	4
MV5437		565 635	White Diffused	100°	2.1	3.0	2.0	6.0	4
MV5438		565 610	White Diffused	100°	2.3	3.0	2.0	6.0	4
MV5439		565 660	White Diffused	100°	2.3	3.0	2.0	6.0	4
					1.7	2.4	10	25	4

Notes

- 4. V_F & I_V @ $I_F=20$ mA
- HER = High Efficiency Red

T-1 3/4 Bicolor 3-lead, Common Anode LED Lamp										
Part Number	Source Color	Wave-length λ_p (nm)	Lens Color	Typical Viewing Angle	Forward Voltage V_F (V)		Luminous Intensity I_V (mcd)		Notes	
					typ	max	min	typ		
MV5439A	White	565	White Diffused	100°	2.3	3.0	2.0	6.0	4	
		660			1.7	2.4	10	25	4	

Rectangular Bicolor 3-lead LED Lamp										
Part Number	Source Color	Wave-length λ_p (nm)	Lens Color	Typical Viewing Angle	Forward Voltage V_F (V)		Luminous Intensity I_V (mcd)		Notes	
					typ	max	min	typ		
MV5433RA	Yellow	565	White Diffused	100°	2.1	2.8	1.0	2.0	4	
		585			2.2	3.0	1.0	2.0	4	
MV5437RA	White	565	White Diffused	100°	2.1	2.8	1.0	2.0	4	
		635			2.2	2.8	1.0	3.5	4	