

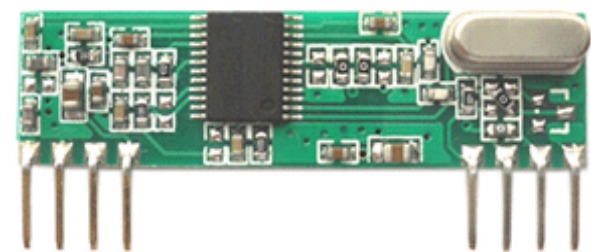
FSK FM Receiver Module

ET-RXB-3 is FSK FM Receiver Module, which is the New Generation Module of the family version ET-RXB-16, it preferably applied in Remote Keyless Entry (RKE) and Body Control Module (BCM) systems. Easy pass kinds of FCC or CE certification.

It has ability to restrain the radiation, can work with several module (one transmitter module and several receiver module) at the same time, and have no interference to each other, and don't influence the receiving distance.

Key Feature

- ◆ Modulation Mode : FSK / FM
- ◆ Operating Frequency : 433.92 Mhz
- ◆ Operating Voltage : 3.6~5.5 V
- ◆ Operating Current : 6 mA
- ◆ Data Rate : 9.6 Kbps
- ◆ Sensitivity : -118 dbm
- ◆ Operating Temperature : -40~+85 °C
- ◆ Working Distance : >500 m
- ◆ Dimension : 43.2*12.3*5 mm



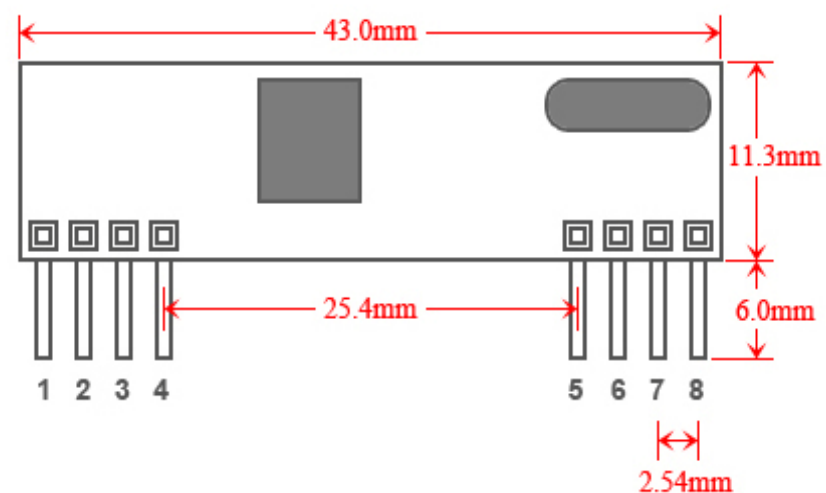
Application

- ◆ Car security system
- ◆ Body Control Module system (BCM)
- ◆ Remote Keyless Entry system (RKE)
- ◆ Tire-Pressure Monitoring system (TPMS)
- ◆ Remote keyless entry
- ◆ Garage door controller
- ◆ Home security
- ◆ Wireless mouse
- ◆ Automation system

Electrical Characteristics

Parameter	Symbol	Condition	Specification			Unit
			Min	Typical	Max	
Operating frequency	Fc		433.82	433.92	434.02	MHz
Modulation mode			FSK			
Sensitivity		1 Kbps / 50Ω		-118		dBm
Bandwidth				200		KHz
Turn on time	Ton				9	ms
Operating Voltage	VCC		3.5	5	5.75	V
Operating current	IRC				6	mA
Operating temperature			-40		85	°C

Pin Dimension



1. ANT 2. GND 3. GND 4. VCC 5. VCC 6. DE 7. DATA 8. GND

(DE : Power Save Enable)

NOTE :

ET-RXB-3 Drive Current from Data-PIN is weak, **if directly connection with Driving Chip** which I/O can not connect Pull Up Resistor or Pull Down Resistor, Driving Chip inner Pull Up Resistor and Pull Down Resistor turn to Disabled State.