



Features

- Formerly J. W. Miller® model
- Height of 3.0 mm max.
- Current rating up to 3.0 A
- RoHS compliant*

Applications

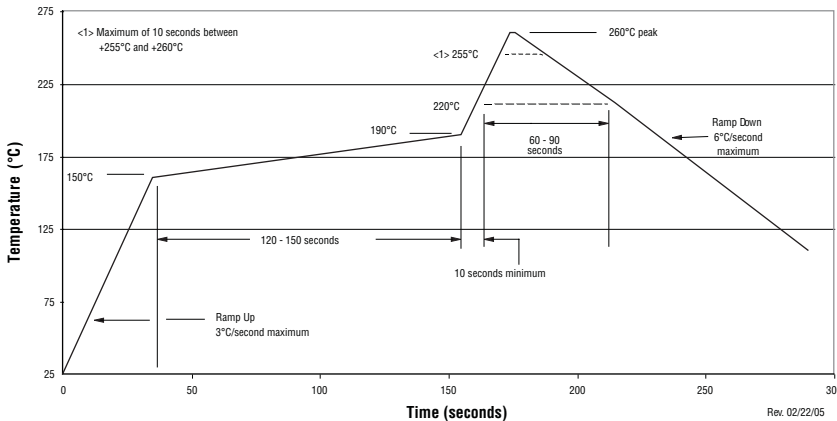
- Input/output of DC/DC converters
- Power supplies for:
 - Portable communication equipment
 - Camcorders
 - LCD TVs
 - Car radios

PM528S Series - Shielded SMD Power Inductor

Electrical Specifications

| Bourns Part No. | Inductance 100 kHz | | Q Ref. | Test Frequency (MHz) | SRF Typ. (MHz) | DCR Max. (mΩ) | I _{rms} (A) | I _{sat} (A) |
|-----------------|--------------------|--------|--------|----------------------|----------------|---------------|----------------------|----------------------|
| | (μH) | Tol. % | | | | | | |
| PM528S-2R6-RC | 2.6 | ±30 | 7 | 7.96 | 77 | 30 | 3.00 | 2.70 |
| PM528S-3R0-RC | 3.0 | ±30 | 7 | 7.96 | 65 | 30 | 2.80 | 2.50 |
| PM528S-4R2-RC | 4.2 | ±30 | 7 | 7.96 | 51 | 35 | 2.50 | 2.20 |
| PM528S-5R3-RC | 5.3 | ±30 | 7 | 7.96 | 45 | 40 | 2.30 | 1.90 |
| PM528S-6R2-RC | 6.2 | ±30 | 7 | 7.96 | 39 | 45 | 2.20 | 1.80 |
| PM528S-8R2-RC | 8.2 | ±30 | 7 | 7.96 | 34 | 55 | 2.10 | 1.60 |
| PM528S-100-RC | 10 | ±30 | 9 | 2.52 | 30 | 70 | 1.50 | 1.40 |
| PM528S-120-RC | 12 | ±30 | 11 | 2.52 | 28 | 80 | 1.46 | 1.25 |
| PM528S-150-RC | 15 | ±30 | 9 | 2.52 | 22 | 100 | 1.37 | 1.15 |
| PM528S-180-RC | 18 | ±30 | 10 | 2.52 | 20 | 110 | 1.25 | 1.10 |
| PM528S-220-RC | 22 | ±30 | 7 | 2.52 | 20 | 120 | 1.15 | 1.00 |
| PM528S-270-RC | 27 | ±30 | 10 | 2.52 | 17 | 160 | 1.05 | 0.90 |
| PM528S-330-RC | 33 | ±30 | 11 | 2.52 | 13 | 190 | 0.90 | 0.78 |
| PM528S-390-RC | 39 | ±30 | 8 | 2.52 | 13 | 210 | 0.86 | 0.72 |
| PM528S-470-RC | 47 | ±30 | 7 | 2.52 | 13 | 250 | 0.82 | 0.65 |
| PM528S-560-RC | 56 | ±30 | 9 | 2.52 | 12 | 300 | 0.72 | 0.60 |
| PM528S-680-RC | 68 | ±30 | 8 | 2.52 | 11 | 350 | 0.62 | 0.56 |
| PM528S-820-RC | 82 | ±30 | 8 | 2.52 | 9 | 430 | 0.52 | 0.50 |
| PM528S-101-RC | 100 | ±30 | 8 | 0.796 | 8 | 480 | 0.45 | 0.45 |

Soldering Profile



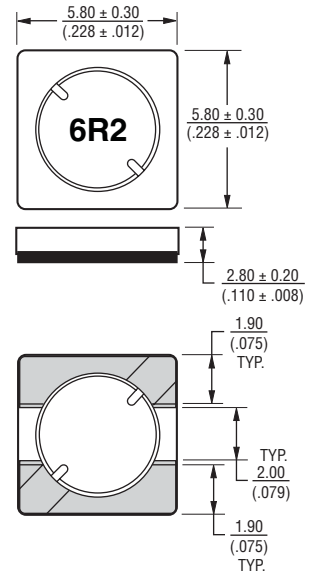
General Specifications

Test Voltage 0.1 V, 100 KHz
 Reflow Soldering 230 °C; 50 sec max.
 Operating Temperature
 -40 °C to +125 °C
 (Temperature rise included)
 Storage Temperature .. -40 °C to +125 °C
 Resistance to Soldering Heat
 260 °C for 10 sec.

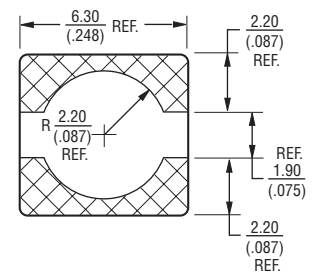
Materials

Core Material Ferrite
 Wire Enameled Copper
 Adhesive Epoxy Resin
 Terminal Ag/Ni/Sn
 Rated Current Ind. drop of 35 % typ.
 at I_{sat}
 Temperature Rise 30 °C typ. at I_{rms}
 Packaging 400 pcs. per reel

Product Dimensions



Recommended Layout



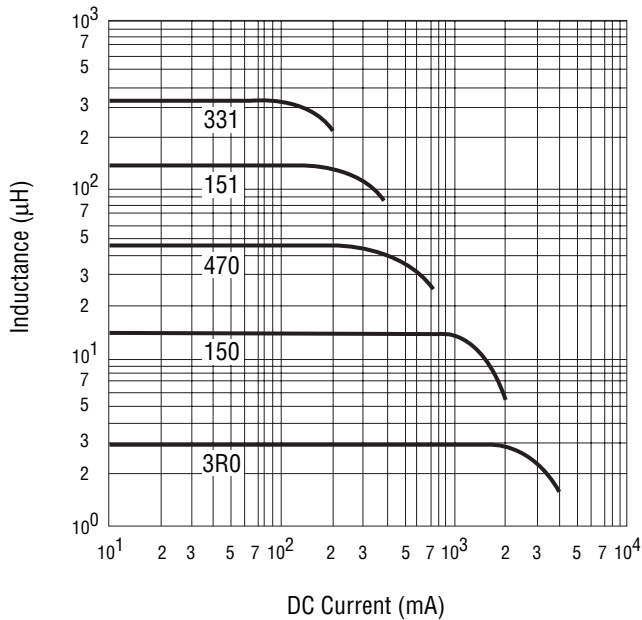
DIMENSIONS: $\frac{\text{MM}}{\text{(INCHES)}}$

*RoHS Directive 2002/95/EC Jan. 27, 2003 including annex and RoHS Recast 2011/65/EU June 8, 2011. Specifications are subject to change without notice. Customers should verify actual device performance in their specific applications.

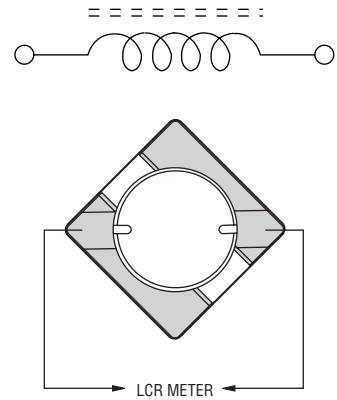
PM528S Series - Shielded SMD Power Inductor

BOURNS®

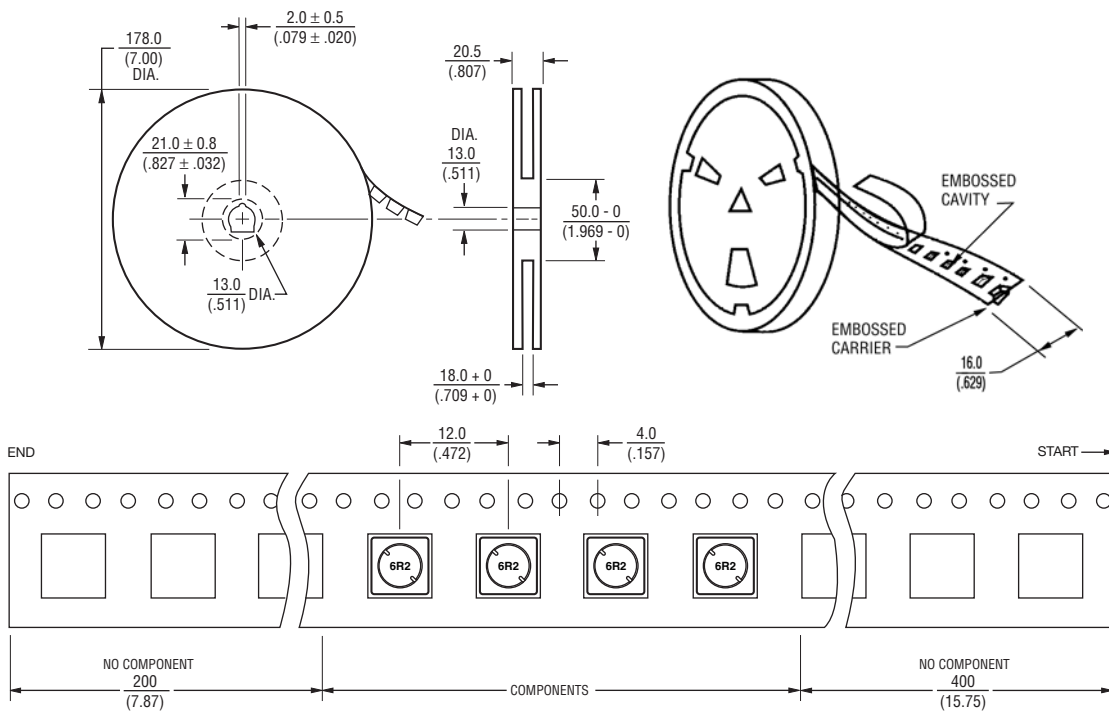
Inductance vs. Current



Electrical Schematic



Packaging Specifications



REV. 03/11

USER DIRECTION OF FEED →

QTY: 400 PCS. PER REEL

DIMENSIONS: $\frac{\text{MM}}{\text{(INCHES)}}$

Specifications are subject to change without notice.
Customers should verify actual device performance in their specific applications.