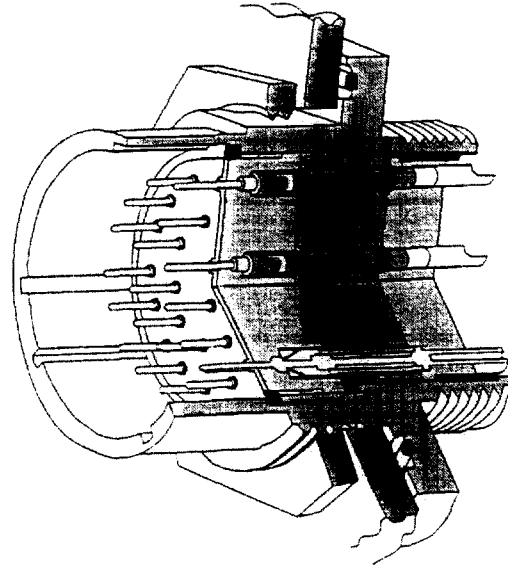
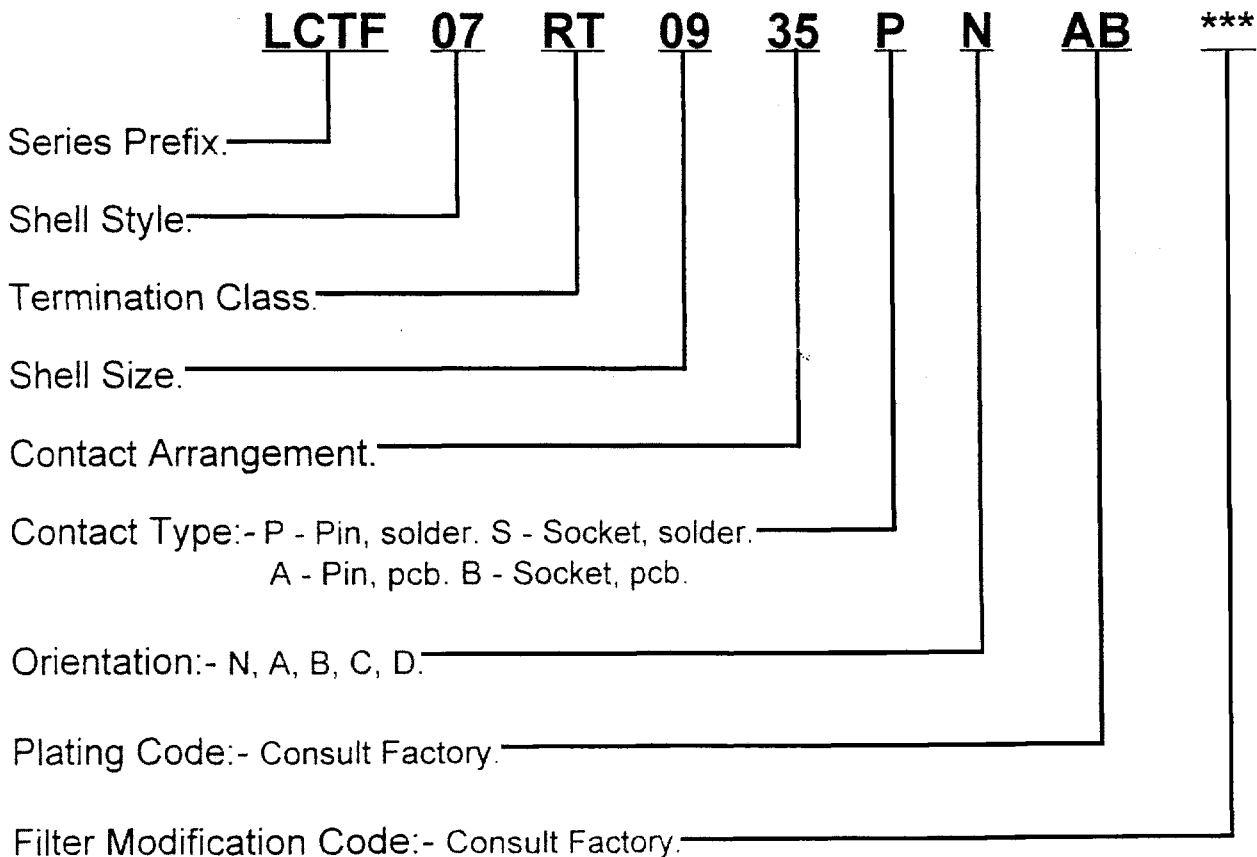


Mil-C-38999 Series I Filter Connectors.

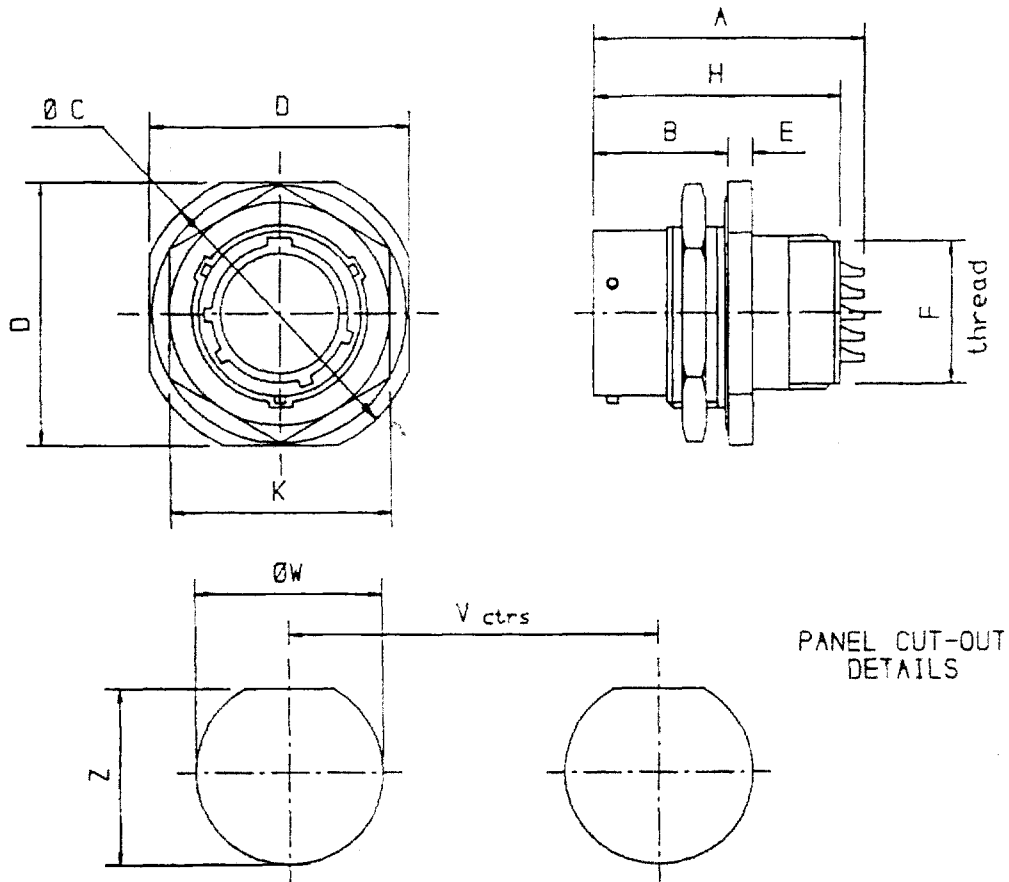
- * Intermateable with Mil-C-38999 Series I connectors.
- * Tubular or planar technology.
- * Higher reliability and greater durability with permanently encapsulated contacts.
- * Up to 128 contacts.
- * Connectors use proven filter technology.
- * Solder bucket or printed circuit terminations.



Ordering Information



Style:-07 Jam Nut Filter Receptacle with External Accessory Thread.



Shell size	A	B	C	D	E	F	H	K	Panel Thickness		V	W	Z
	max	max	max	max	max	Thread	max	max	min	max			
09	40.6	23.4	30.5	27.3	2.8	7/16 x 28 TPI	39.6	22.6	3.2	1.6	2.80	17.8	16.9
11	40.6	23.4	35.2	32.1	2.8	9/16 X 24 TPI	39.6	25.8	3.2	1.6	32.8	21.0	19.4
13	40.6	23.4	38.4	35.2	2.8	11/16 X 24 TPI	39.6	30.6	3.2	1.6	35.9	25.7	24.1
15	40.6	23.4	41.6	38.4	2.8	13/16 X 20 TPI	39.6	33.7	3.2	1.6	39.2	28.9	27.4
17	40.6	23.4	44.8	41.6	2.8	15/16 X 20 TPI	39.6	36.9	3.2	1.6	43.0	32.2	30.6
19	40.6	23.4	49.5	46.3	3.6	1 1/16 X 18 TPI	39.6	40.1	3.2	1.6	47.8	35.3	33.8
21	40.6	23.4	52.7	49.5	3.6	1 3/16 X 18 TPI	39.6	43.3	3.2	1.6	50.8	38.4	36.9
23	40.6	23.4	55.9	52.7	3.6	1 5/16 X 18 TPI	39.6	46.4	3.2	1.6	54.2	41.6	40.1
25	40.6	23.4	59.0	55.9	3.6	1 7/16 X 18 TPI	39.6	51.2	3.2	1.6	57.6	44.8	43.3

All dimensions in mm unless otherwise stated