

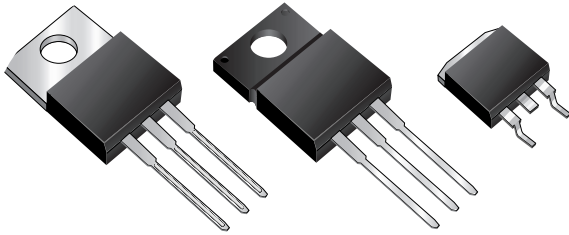


UG18CT, UGF18CT, UGB18CT Series

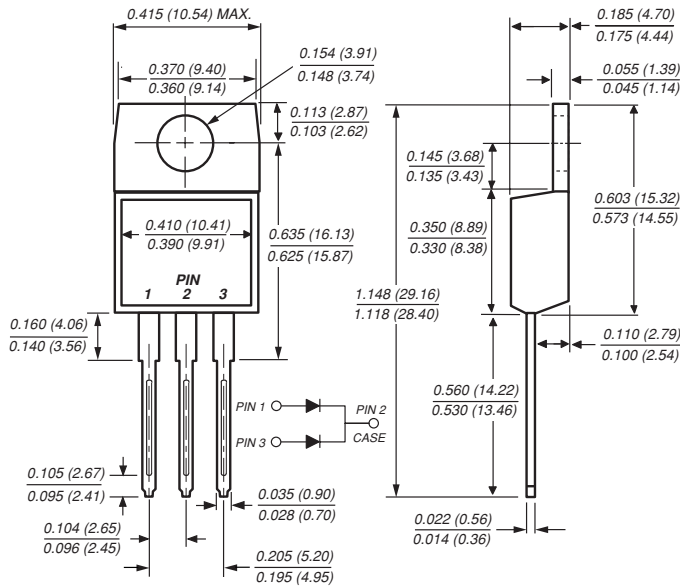
Vishay Semiconductors
formerly General Semiconductor

Dual Ultrafast Plastic Rectifiers

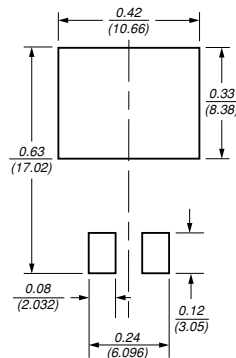
Reverse Voltage 50 to 200V
Forward Current 18A
Reverse Recovery Time 20ns



TO-220AB (UG18CT Series)

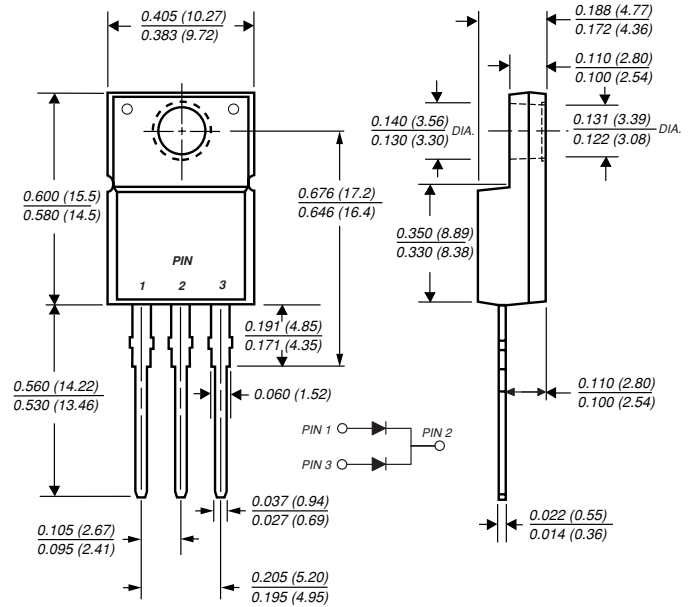


Mounting Pad Layout TO-263AB

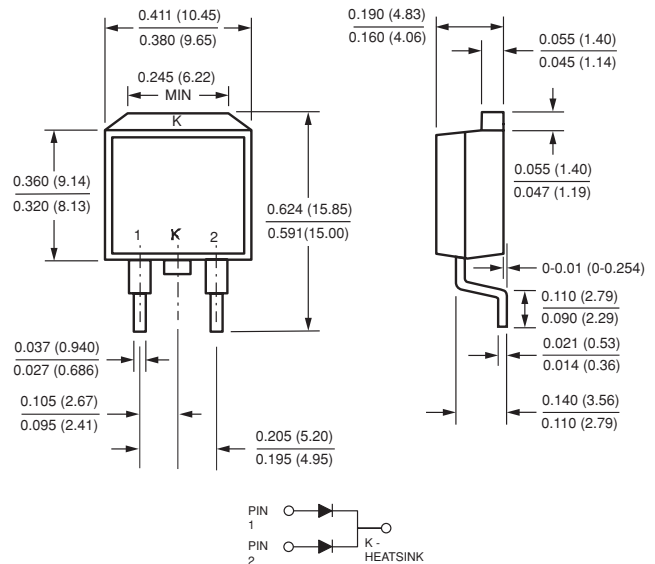


Dimensions in inches and (millimeters)

ITO-220AB (UGF18CT Series)



TO-263AB (UGB18CT Series)



Features

- Plastic package has Underwriters Laboratory Flammability Classification 94V-0
- Ideally suited for free wheeling diode, power factor correction applications
- Soft recovery characteristics
- Excellent high temperature switching
- Optimized to reduce switching losses
- Glass passivated chip junction

Mechanical Data

Case: JEDEC TO-220AB, ITO-220AB & TO-263AB molded plastic body

Terminals: Plated leads, solderable per MIL-STD-750, Method 2026

High temperature soldering guaranteed: 250°C/10 sec. at terminals

Polarity: As marked **Mounting Position:** Any

Mounting Torque: 10 in-lbs maximum

Weight: 0.08 oz., 2.24 g

UG18CT, UGF18CT, UGB18CT Series



Vishay Semiconductors
formerly General Semiconductor

Maximum Ratings (T_c = 25°C unless otherwise noted)

Parameter	Symbol	UG18ACT	UG18BCT	UG18CCT	UG18DCT	Unit
Maximum repetitive peak reverse voltage	V _{RRM}	50	100	150	200	V
Maximum RMS voltage	V _{RMS}	35	70	105	140	V
Maximum DC blocking voltage	V _{DC}	50	100	150	200	V
Maximum average forward rectified current at T _c = 105°C	I _{F(AV)}	18				A
Peak forward surge current 8.3ms single half sine-wave superimposed on rated load (JEDEC Method) per leg	I _{FSM}	175				A
Operating junction and storage temperature range	T _J , T _{STG}	-65 to +150				°C
RMS Isolation voltage (UGF) from terminals to heatsink with t = 1.0 second, RH ≤ 30%	V _{ISOL}	4500 ⁽¹⁾ 3500 ⁽²⁾ 1500 ⁽³⁾				V

Electrical Characteristics Ratings at 25°C ambient temperature unless otherwise specified.

Parameter	Symbol	UG18ACT	UG18BCT	UG18CCT	UG18DCT	Unit
Maximum instantaneous forward voltage per leg ⁽⁴⁾ at 9.0A 20A 5.0A, T _J = 100°C	V _F	1.1 1.2 0.95				V
Maximum DC reverse current at rated DC blocking voltage per leg T _A = 25°C T _A = 100°C	I _R	10 300				μA
Maximum reverse recovery time per leg at I _F = 0.5A, I _R = 1.0A, I _{rr} = 0.25A	t _{rr}	20				ns
Maximum reverse recovery time per leg at I _F = 9.0A, V _R = 30V, di/dt = 50A/μs, I _{rr} = 10% I _{RM} T _J = 25°C T _J = 100°C	t _{rr}	30 50				ns
Maximum stored charge per leg I _F = 9.0A, V _R = 30V, di/dt = 50A/μs, I _{rr} = 10% I _{RM} T _J = 25°C T _J = 100°C	Q _{rr}	20 45				nC
Typical junction capacitance per leg at 4.0V, 1MHz	C _J	30				pF

Thermal Characteristics (T_c = 25°C unless otherwise noted)

Parameter	Symbol	UG18	UGF18	UGB18	Unit
Typical thermal resistance from junction to case per leg	R _{θJC}	4.0	6.0	4.0	°C/W

Notes:

- (1) Clip mounting (on case), where lead does not overlap heatsink with 0.110" offset
- (2) Clip mounting (on case), where leads do overlap heatsink
- (3) Screw mounting with 4-40 screw, where washer diameter is ≤ 4.9mm (0.19")
- (4) Pulse test: 300μs pulse width, 1% duty cycle



Ratings and Characteristic Curves ($T_A = 25^\circ\text{C}$ unless otherwise noted)

Fig. 1 – Forward Current Derating Curve

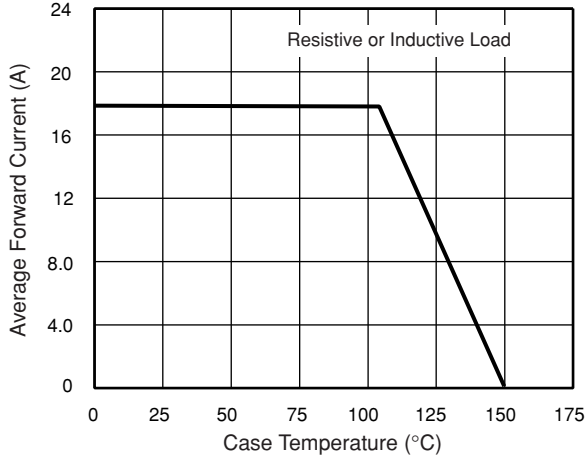


Fig. 2 – Maximum Non-Repetitive Peak Forward Surge Current Per Leg

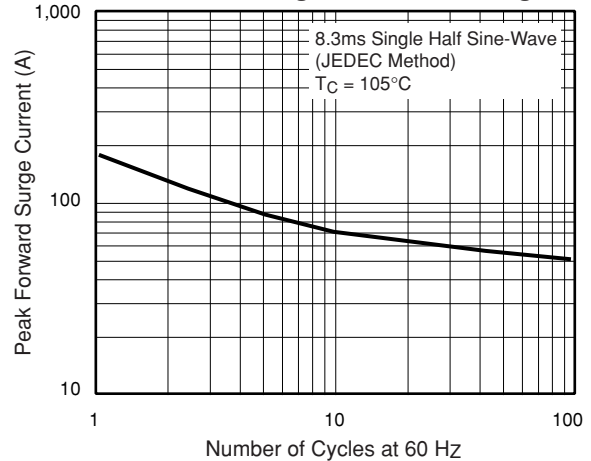


Fig. 3 – Typical Instantaneous Forward Characteristics Per Leg

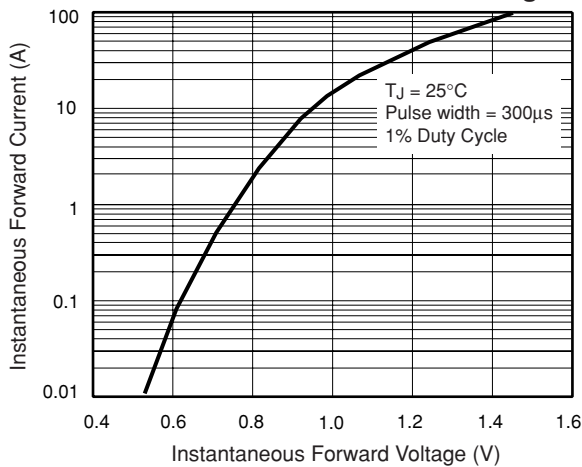


Fig. 4 – Typical Reverse Leakage Characteristics Per Leg

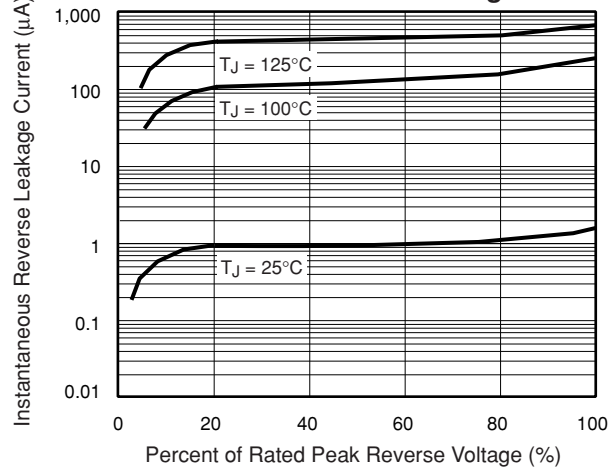


Fig. 5 – Reverse Switching Characteristics Per Leg

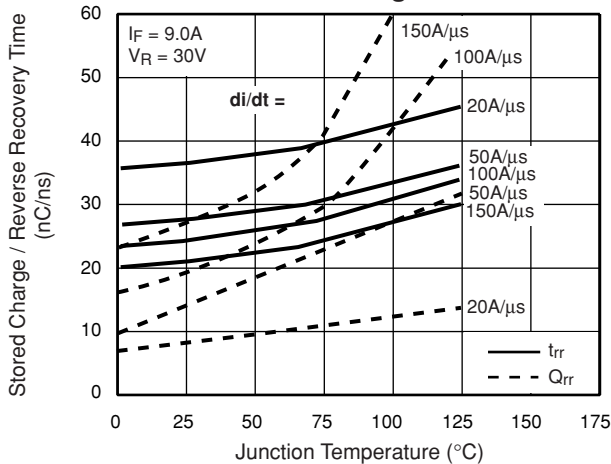
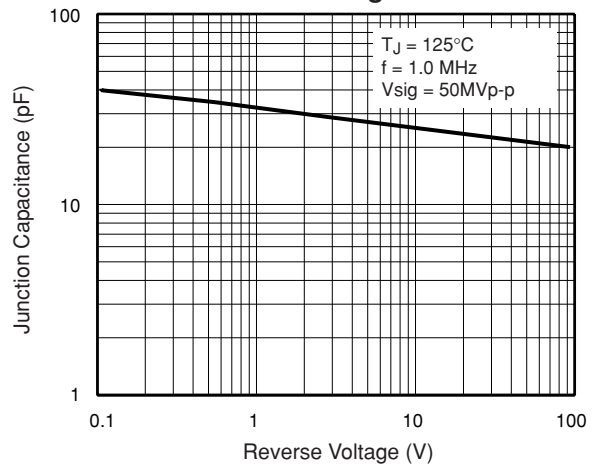


Fig. 6 – Typical Junction Capacitance Per Leg





Notice

Specifications of the products displayed herein are subject to change without notice. Vishay Intertechnology, Inc., or anyone on its behalf, assumes no responsibility or liability for any errors or inaccuracies.

Information contained herein is intended to provide a product description only. No license, express or implied, by estoppel or otherwise, to any intellectual property rights is granted by this document. Except as provided in Vishay's terms and conditions of sale for such products, Vishay assumes no liability whatsoever, and disclaims any express or implied warranty, relating to sale and/or use of Vishay products including liability or warranties relating to fitness for a particular purpose, merchantability, or infringement of any patent, copyright, or other intellectual property right.

The products shown herein are not designed for use in medical, life-saving, or life-sustaining applications. Customers using or selling these products for use in such applications do so at their own risk and agree to fully indemnify Vishay for any damages resulting from such improper use or sale.