



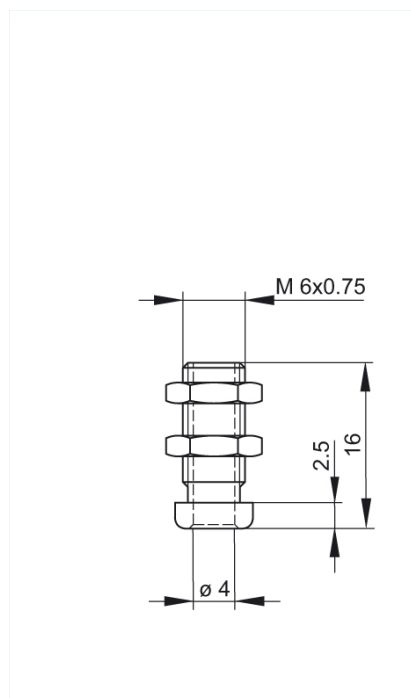
BO 10

Industrial Connectors:Measuring and Testing Equipment:Sockets:4 mm system

Product description

Description	Bright metal 4 mm diameter nickel-plated brass socket.
Type	BO 10
Order No.	930 160 - 000
System	4 mm system
Housing Color	metallic

Drawing



Technical data

Type of contact	socket
Type of termination	screw
Rated voltage	DC 60 V
Rated current	16 A
Contact resistance	5 mOhm
Mounting	screw

Material

Contact material	brass
Contact surface material	nickel-plated

Environmental conditions

Temperature range	-25 °C to +100 °C
-------------------	-------------------

Inflammability class

