

# GN 125

## Adjustable handles

- **Black-oxide steel** body.
- **Black-oxide steel** arm with DIN 319 black phenolic based (PF) Duroplast ball knob available in two executions:
  - with straight arm (type D)
  - with inclined arm by a 15° angle (type E).
- **Black-oxide steel threaded bushing.**
- Treated steel spring.
- Natural anodised aluminium boss-cap.

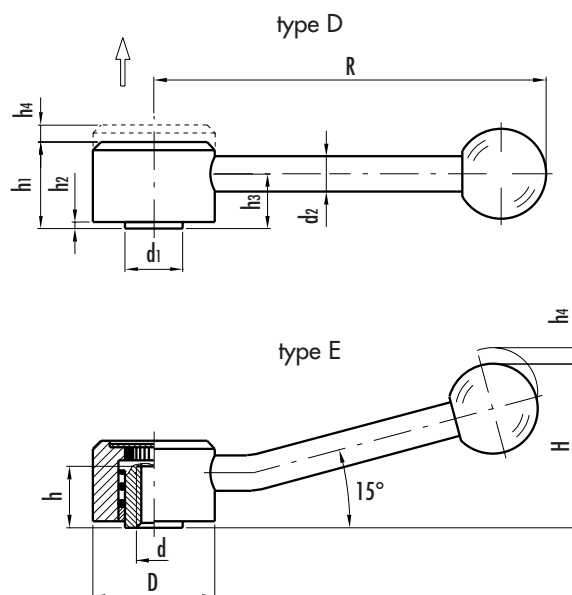


GN 125 adjustable handles are used on applications having a limited space or where a particular handle position is required. The threaded bushing is connected to the handle via serrations and can be easily disengaged. By pulling the handle, the internal mechanism disengages the serrations and allows the handle to swivel to the ideal clamping position. By releasing the handle, the mechanism automatically re-engages serrations.

3

192

Clamping levers



Standard elements	Main dimensions									Mounting hole		Weight
	D	R	H	h1	h2	h3	h4	d1	d2	d 6H	h	grams
GN 125-32-M6-D	32	100	-	20.5	1.5	12.5	4	13.5	8	M6	11	141
GN 125-32-M6-E			M6							141		
GN 125-32-M8-D			M8							139		
GN 125-32-M8-E			M8							139		
GN 125-36-M8-D	36	120	-	24.5	2	15	4.5	16	10	M8	14	223
GN 125-36-M8-E			M8							223		
GN 125-36-M10-D			M10							223		
GN 125-36-M10-E			M10							223		
GN 125-40-M10-D	40	130	-	26.5	2	16	4.5	19	12	M10	17	307
GN 125-40-M10-E			M10							307		
GN 125-40-M12-D			M12							301		
GN 125-40-M12-E			M12							301		
GN 125-45-M12-D	45	145	-	31.5	2	20	5	23	12	M12	23	425
GN 125-45-M12-E			M12							425		
GN 125-45-M14-D			M14							430		
GN 125-45-M14-E			M14							430		
GN 125-45-M16-D			M16							406		
GN 125-45-M16-E			M16							406		