

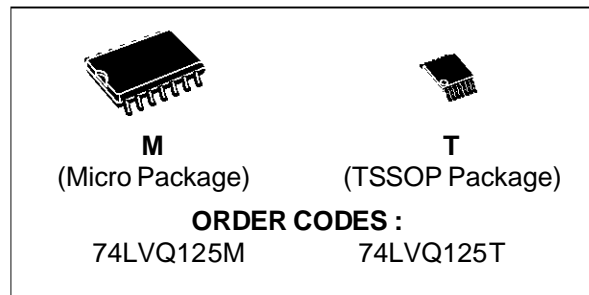
## LOW VOLTAGE CMOS QUAD BUS BUFFERS WITH 5V TOLERANT INPUTS AND OUTPUTS

PRELIMINARY DATA

- 5V TOLERANT INPUTS AND OUTPUTS
- HIGH SPEED:  
 $t_{PD} = 6 \text{ ns (MAX.) at } V_{CC} = 3V$
- POWER-DOWN PROTECTION ON INPUTS AND OUTPUTS
- SYMMETRICAL OUTPUT IMPEDANCE:  
 $|I_{OH}| = I_{OL} = 24 \text{ mA (MIN)}$
- PCI BUS LEVELS GUARANTEED AT 24mA
- BALANCED PROPAGATION DELAYS:  
 $t_{PLH} \cong t_{PHL}$
- OPERATING VOLTAGE RANGE:  
 $V_{CC} \text{ (OPR)} = 2.0V \text{ to } 3.6V \text{ (1.5V Data Retention)}$
- PIN AND FUNCTION COMPATIBLE WITH 74 SERIES 125
- LATCH-UP PERFORMANCE EXCEEDS 500mA
- ESD PERFORMANCE:  
 $HBM > 2000V; MM > 200V$

### DESCRIPTION

The LVQ125 is a low voltage CMOS QUAD BUS BUFFERS fabricated with sub-micron silicon gate and double-layer metal wiring C<sup>2</sup>MOS technology. It is ideal for low power and high

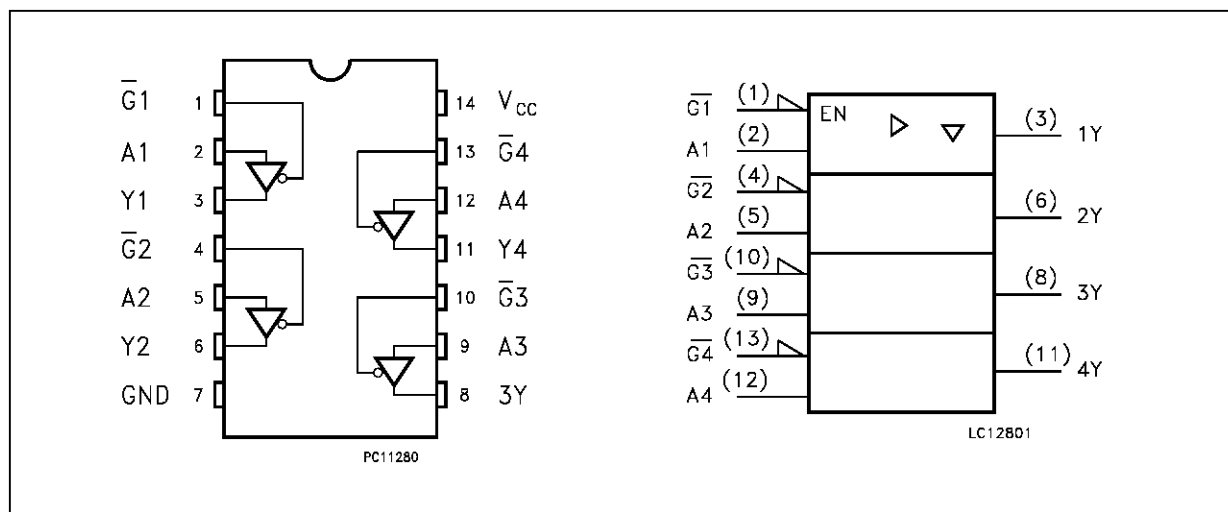


speed 3.3V applications; it can be interfaced to 5V signal environment for both inputs and outputs. These devices require the same 3-STATE control input  $\bar{G}$  to be taken high to make the output go to the high impedance state.

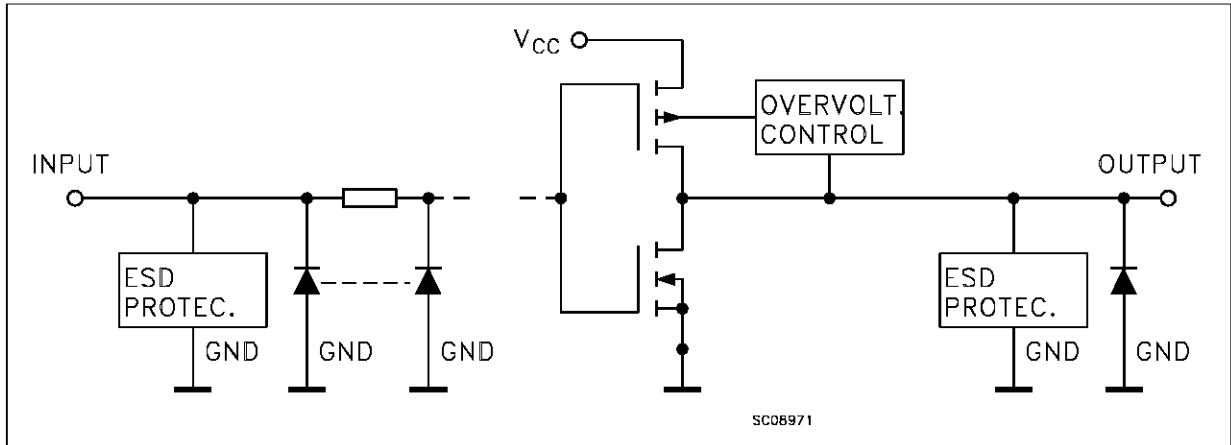
.It has same speed performance at 3.3V than 5V, AC/ACT family, combined with a lower power consumption.

All inputs and outputs are equipped with protection circuits against static discharge, giving them 2KV ESD immunity and transient excess voltage.

### PIN CONNECTION AND IEC LOGIC SYMBOLS



INPUT AND OUTPUT EQUIVALENT CIRCUIT



PIN DESCRIPTION

PIN No	SYMBOL	NAME AND FUNCTION
1, 4, 10, 13	$\overline{G1}$ to $\overline{G4}$	Output Enable Inputs
2, 5, 9, 12	A1 to A4	Data Inputs
3, 6, 8, 11	Y1 to Y4	Data Outputs
7	GND	Ground (0V)
14	V <sub>CC</sub>	Positive Supply Voltage

TRUTH TABLE

A	$\overline{G}$	Y
X	H	Z
L	L	L
H	L	H

ABSOLUTE MAXIMUM RATINGS

Symbol	Parameter	Value	Unit
V <sub>CC</sub>	Supply Voltage	-0.5 to + 7.0	V
V <sub>I</sub>	DC Input Voltage	-0.5 to + 7.0	V
V <sub>O</sub>	DC Output Voltage (V <sub>CC</sub> =0V)	-0.5 to + 7.0	V
V <sub>O</sub>	DC Output Voltage (High or Low State) (note1)	-0.5 to V <sub>CC</sub> + 0.5	V
I <sub>IK</sub>	DC Input Diode Current	- 50	mA
I <sub>OK</sub>	DC Output Diode Current (note2)	± 50	mA
I <sub>O</sub>	DC Output Source/Sink Current	± 50	mA
I <sub>CC</sub>	DC Supply Current per Supply Pin	± 100	mA
I <sub>GND</sub>	DC Ground Current per Supply Pin	± 100	mA
T <sub>stg</sub>	Storage Temperature	-65 to +150	°C
T <sub>L</sub>	Lead Temperature (10 sec)	300	°C

Absolute Maximum Ratings are those values beyond which damage to the device may occur. Functional operation under these condition is not implied.

1) I<sub>O</sub> absolute maximum rating must be observed

2) V<sub>O</sub> < GND, V<sub>O</sub> > V<sub>CC</sub>

## RECOMMENDED OPERATING CONDITIONS

Symbol	Parameter	Value	Unit
V <sub>CC</sub>	Supply Voltage (note 1)	2.0 to 3.6	V
V <sub>I</sub>	Input Voltage	0 to 5.5	V
V <sub>O</sub>	Output Voltage (V <sub>CC</sub> =0V)	0 to 5.5	V
V <sub>O</sub>	Output Voltage (High or Low State)	0 to V <sub>CC</sub>	V
I <sub>OH</sub> , I <sub>OL</sub>	High or Low Level Output Current (V <sub>CC</sub> = 3.0 to 3.6V)	± 24	mA
I <sub>OH</sub> , I <sub>OL</sub>	High or Low Level Output Current (V <sub>CC</sub> = 2.7 to 3.0V)	± 12	mA
T <sub>op</sub>	Operating Temperature:	-40 to +85	°C
dt/dv	Input Transition Rise or Fall Rate (V <sub>CC</sub> = 3.0V) (note 2)	0 to 10	ns/V

1) Truth Table guaranteed: 1.5V to 3.6V

2) V<sub>N</sub> from 0.8V to 2.0V

## DC SPECIFICATIONS

Symbol	Parameter	Test Conditions		Value		Unit
		V <sub>CC</sub> (V)		-40 to 85 °C		
				Min.	Max.	
V <sub>IH</sub>	High Level Input Voltage	2.7 to 3.6		2.0		V
V <sub>IL</sub>	Low Level Input Voltage				0.8	V
V <sub>OH</sub>	High Level Output Voltage	2.7 to 3.6	V <sub>I</sub> = V <sub>IH</sub> or V <sub>IL</sub>	I <sub>O</sub> =-100 μA	V <sub>CC</sub> -0.2	V
		2.7		I <sub>O</sub> =-12 mA	2.2	
		3.0		I <sub>O</sub> =-18 mA	2.4	
				I <sub>O</sub> =-24 mA	2.2	
V <sub>OL</sub>	Low Level Output Voltage	2.7 to 3.6	V <sub>I</sub> = V <sub>IH</sub> or V <sub>IL</sub>	I <sub>O</sub> =100 μA	0.2	V
		2.7		I <sub>O</sub> =12 mA	0.4	
		3.0		I <sub>O</sub> =16 mA	0.4	
		3.0		I <sub>O</sub> =24 mA	0.55	
I <sub>I</sub>	Input Leakage Current	2.7 to 3.6	V <sub>I</sub> = 0 to 5.5 V		±5	μA
I <sub>off</sub>	Power Off Leakage Current	0	V <sub>I</sub> or V <sub>O</sub> = 5.5V		100	μA
I <sub>oz</sub>	3 State Output Leakage Current	2.7 to 3.6	V <sub>I</sub> = V <sub>IH</sub> or V <sub>IL</sub> V <sub>O</sub> = 0 to 5.5V		±5	μA
I <sub>CC</sub>	Quiescent Supply Current	2.7 to 3.6	V <sub>I</sub> = V <sub>CC</sub> or GND		10	μA
			V <sub>I</sub> or V <sub>O</sub> = 3.6 to 5.5V		±10	
ΔI <sub>CC</sub>	ICC incr. per input	2.7 to 3.6	V <sub>IH</sub> = V <sub>CC</sub> -0.6V		500	μA

## DYNAMIC SWITCHING CHARACTERISTICS

Symbol	Parameter	Test Conditions		Value			Unit
		V <sub>CC</sub> (V)		T <sub>A</sub> = 25 °C			
				Min.	Typ.	Max.	
V <sub>OLP</sub>	Dynamic Low Voltage Quiet Output (note 1)	3.3	C <sub>L</sub> = 50 pF V <sub>IL</sub> = 0 V V <sub>IH</sub> = 3.3V		0.8		V
V <sub>OLV</sub>					-0.8		

1) Number of outputs defined as "n". Measured with "n-1" outputs switching from HIGH to LOW or LOW to HIGH. The remaining output is measured in the LOW state.

# 74LCX125

## AC ELECTRICAL CHARACTERISTICS (C<sub>L</sub> = 50 pF, R<sub>L</sub> = 500 Ω, Input t<sub>r</sub> = t<sub>f</sub> = 2.5 ns)

Symbol	Parameter	Test Condition		Value		Unit
		V <sub>CC</sub> (V)	Waveform	-40 to 85 °C		
				Min.	Max.	
t <sub>PLH</sub> t <sub>PHL</sub>	Propagation Delay Time	2.7 3.0 to 3.6	1		6.5 1.0 to 6.0	ns
t <sub>PZL</sub> t <sub>PZH</sub>	Output Enable Time to HIGH and LOW level	2.7 3.0 to 3.6	2		1.0 to 8.0 1.0 to 7.0	ns
t <sub>PLZ</sub> t <sub>PHZ</sub>	Output Disable Time from HIGH and LOW level	2.7 3.0 to 3.6	2		1.0 to 7.0 1.0 to 6.0	ns
t <sub>OSLZ</sub> t <sub>OSSL</sub>	Output to Output Skew Time (note 1, 2)	3.0 to 3.6			1.0	ns

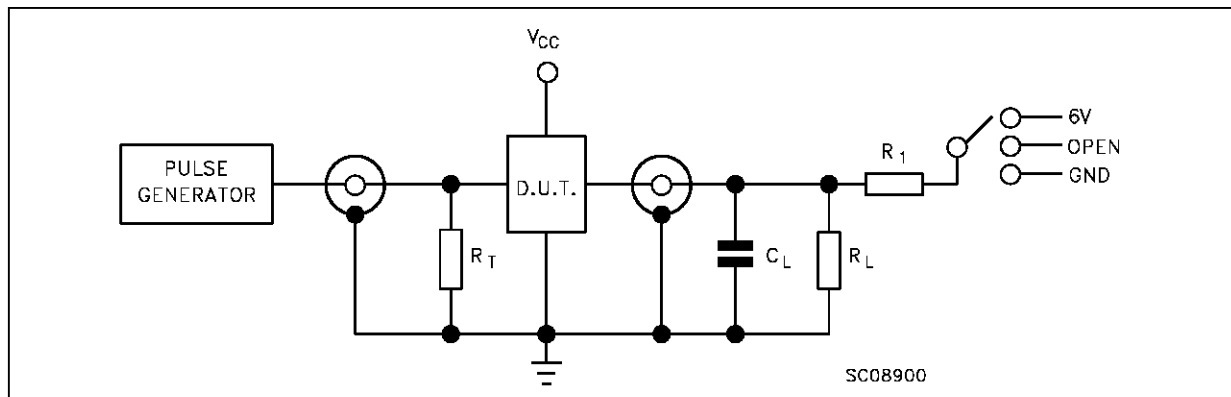
- 1) Skew is defined as the absolute value of the difference between the actual propagation delay for any two outputs of the same device switching in the same direction, either HIGH or LOW (t<sub>OSLH</sub> = |t<sub>PLHm</sub> - t<sub>PLHn</sub>|, t<sub>OSSL</sub> = |t<sub>PHLm</sub> - t<sub>PHLn</sub>|)  
 2) Parameter guaranteed by design

## CAPACITIVE CHARACTERISTICS

Symbol	Parameter	Test Conditions		Value			Unit
		V <sub>CC</sub> (V)		T <sub>A</sub> = 25 °C			
				Min.	Typ.	Max.	
C <sub>IN</sub>	Input Capacitance	3.3	V <sub>IN</sub> = 0 to V <sub>CC</sub>		6		pF
C <sub>OUT</sub>	Output Capacitance	3.3	V <sub>IN</sub> = 0 to V <sub>CC</sub>		10		pF
C <sub>PD</sub>	Power Dissipation Capacitance (note 1)	3.3	f <sub>IN</sub> = 10MHz V <sub>IN</sub> = 0 or V <sub>CC</sub>		40		pF

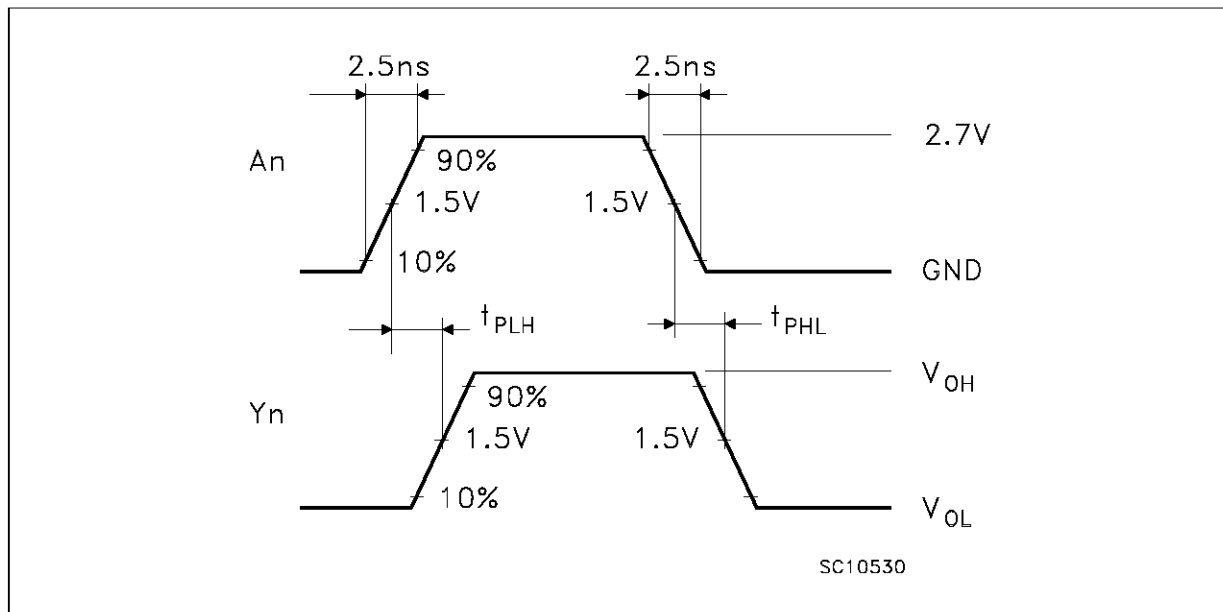
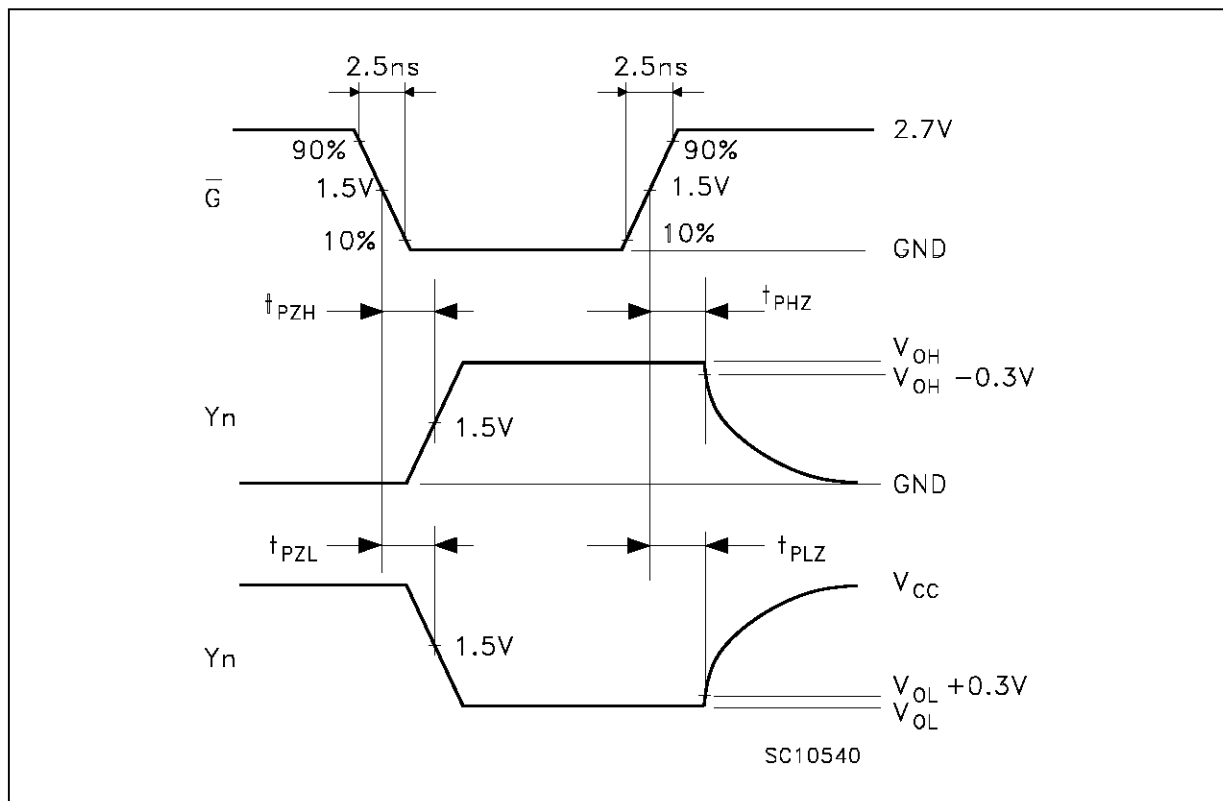
- 1) C<sub>PD</sub> is defined as the value of the IC's internal equivalent capacitance which is calculated from the operating current consumption without load. Average operating current can be obtained by the following equation. I<sub>CC(opr)</sub> = C<sub>PD</sub> • V<sub>CC</sub> • f<sub>IN</sub> + I<sub>CC(n)</sub> (per circuit)

## TEST CIRCUIT



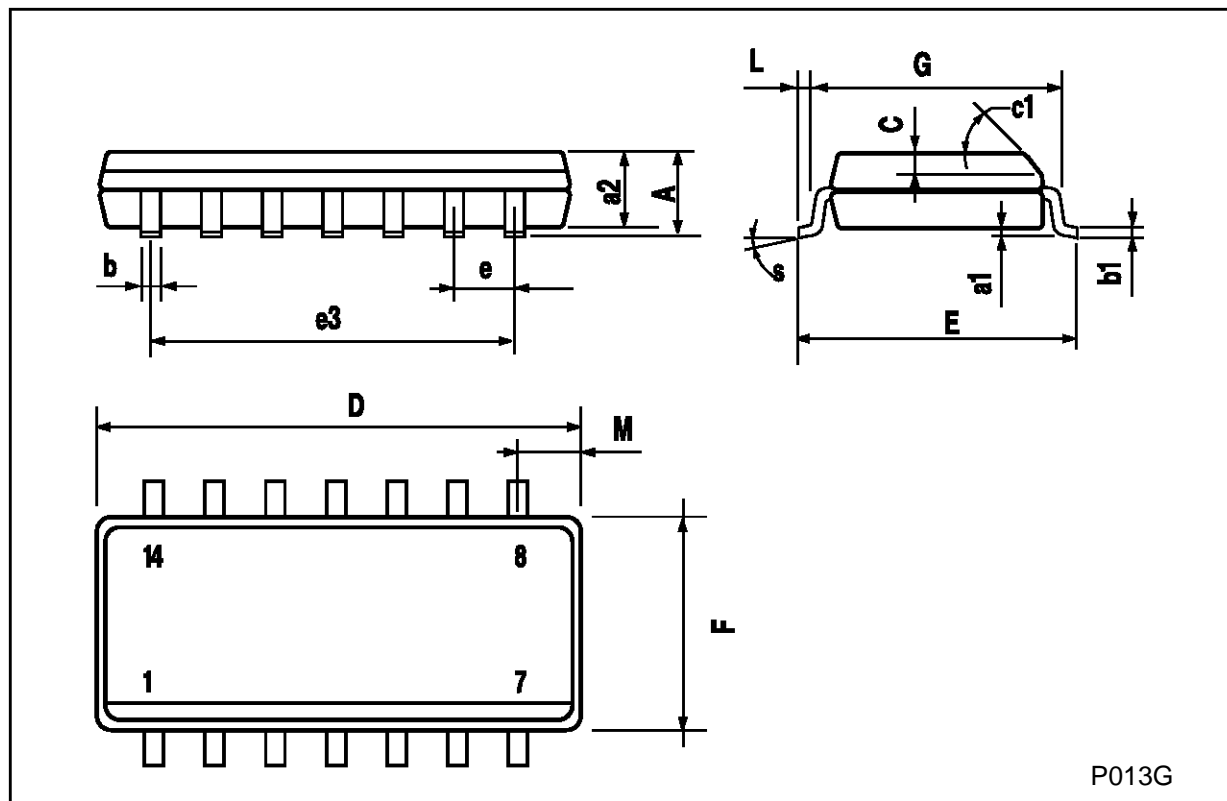
TEST	SWITCH
t <sub>PLH</sub> , t <sub>PHL</sub>	Open
t <sub>PZL</sub> , t <sub>PLZ</sub>	6V
t <sub>PZH</sub> , t <sub>PHZ</sub>	GND

- C<sub>L</sub> = 50 pF or equivalent (includes jig and probe capacitance)  
 R<sub>L</sub> = R<sub>1</sub> = 500Ω or equivalent  
 R<sub>T</sub> = Z<sub>OUT</sub> of pulse generator (typically 50Ω)

**WAVEFORM 1: PROPAGATION DELAYS** ( $f=1\text{MHz}$ ; 50% duty cycle)**WAVEFORM 2: OUTPUT ENABLE AND DISABLE TIME** ( $f=1\text{MHz}$ ; 50% duty cycle)

## SO14 MECHANICAL DATA

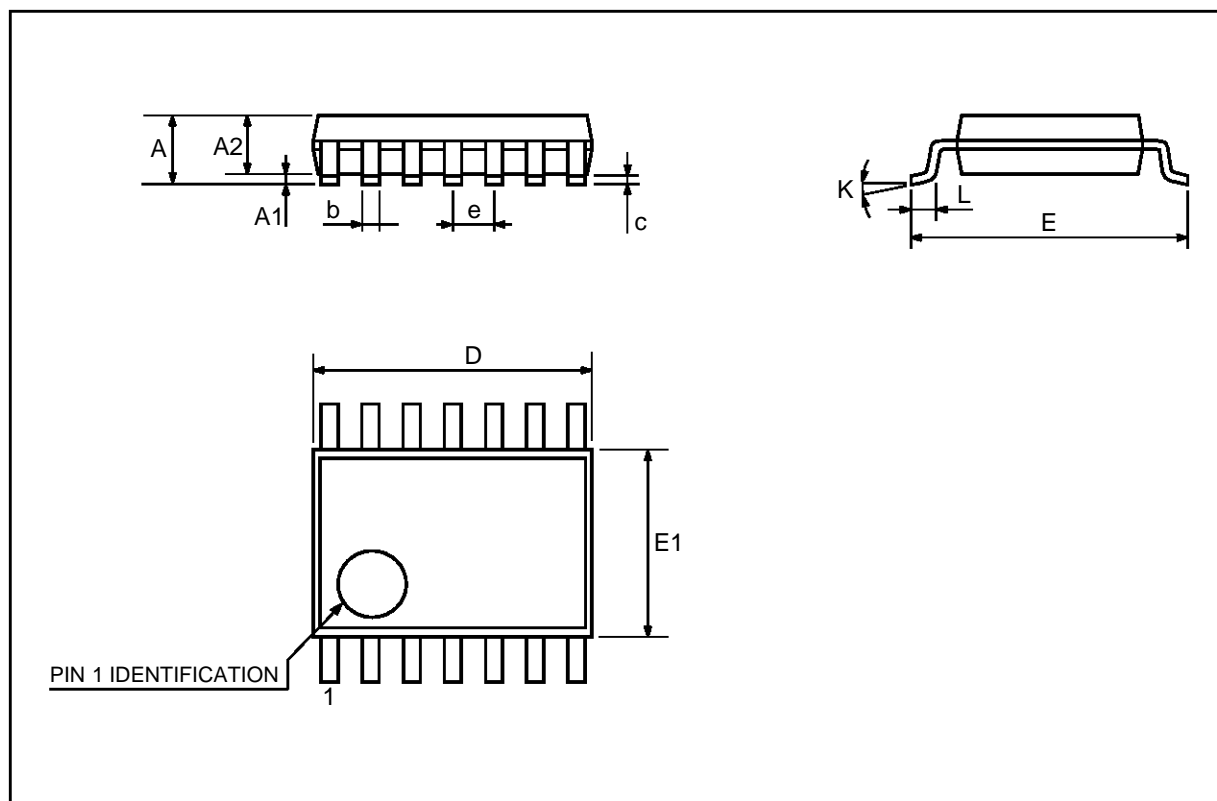
DIM.	mm			inch		
	MIN.	TYP.	MAX.	MIN.	TYP.	MAX.
A			1.75			0.068
a1	0.1		0.2	0.003		0.007
a2			1.65			0.064
b	0.35		0.46	0.013		0.018
b1	0.19		0.25	0.007		0.010
C		0.5			0.019	
c1	45 (typ.)					
D	8.55		8.75	0.336		0.344
E	5.8		6.2	0.228		0.244
e		1.27			0.050	
e3		7.62			0.300	
F	3.8		4.0	0.149		0.157
G	4.6		5.3	0.181		0.208
L	0.5		1.27	0.019		0.050
M			0.68			0.026
S	8 (max.)					



P013G

## TSSOP14 MECHANICAL DATA

DIM.	mm			inch		
	MIN.	TYP.	MAX.	MIN.	TYP.	MAX.
A			1.1			0.433
A1	0.05	0.10	0.15	0.002	0.004	0.006
A2	0.85	0.9	0.95	0.335	0.354	0.374
b	0.19		0.30	0.0075		0.0118
c	0.09		0.20	0.0035		0.0079
D	4.9	5	5.1	0.193	0.197	0.201
E	6.25	6.4	6.5	0.246	0.252	0.256
E1	4.3	4.4	4.48	0.169	0.173	0.176
e		0.65 BSC			0.0256 BSC	
K	0°	4°	8°	0°	4°	8°
L	0.50	0.60	0.70	0.020	0.024	0.028



Information furnished is believed to be accurate and reliable. However, SGS-THOMSON Microelectronics assumes no responsibility for the consequences of use of such information nor for any infringement of patents or other rights of third parties which may result from its use. No license is granted by implication or otherwise under any patent or patent rights of SGS-THOMSON Microelectronics. Specifications mentioned in this publication are subject to change without notice. This publication supersedes and replaces all information previously supplied. SGS-THOMSON Microelectronics products are not authorized for use as critical components in life support devices or systems without express written approval of SGS-THOMSON Microelectronics.

© 1997 SGS-THOMSON Microelectronics - Printed in Italy - All Rights Reserved

SGS-THOMSON Microelectronics GROUP OF COMPANIES

Australia - Brazil - Canada - China - France - Germany - Hong Kong - Italy - Japan - Korea - Malaysia - Malta - Morocco - The Netherlands - Singapore - Spain - Sweden - Switzerland - Taiwan - Thailand - United Kingdom - U.S.A