



PRELIMINARY

SOLID STATE DEVICES, INC.

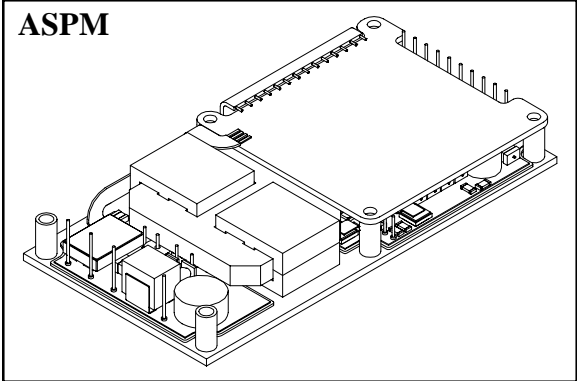
14005 Stage Road * Santa Fe Springs, Ca 90670
Phone: (562) 404-4474 * Fax: (562) 404-1773

DESIGNER'S DATA SHEET

SPMC387-01

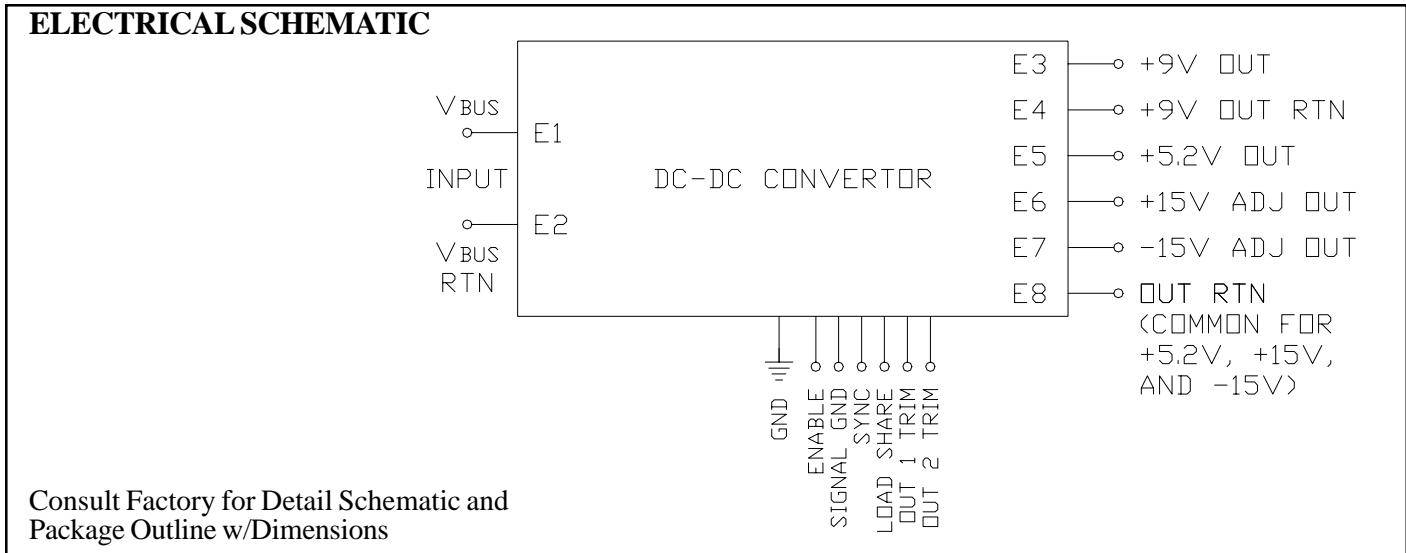
50 WATT RADIATION HARDENED DC-DC POWER CONVERTER

- FEATURES:**
- **Application: Satellite Power Conversion Requiring Radiation Hardening**
 - **Conversion @ 1100 Hz; Control @ 600Hz**
 - **50 - 75 W Typical Power Processing Capability**
 - **Input Filter, Short Circuit & Overvoltage Protection Included**
 - **High Power Density Hermetic Design**
 - **Low Profile and Low Weight**
 - **Excelent Thermal Management**
 - **EMI Shield and Low Noise Design**
 - **TX, TXV, and S Level Screening Available**
 - **Consult Factory for Different Voltages, Currents.**



MAXIMUM RATINGS

CHARACTERISTIC	SYMBOL	VALUE	UNIT
INPUT VOLTAGE	V_{IN}	80 - 105	Volts
OUTPUT VOLTAGE	V_{01} V_{02} V_{03} V_{04}	+9.0 +5.2 +15 -15	Volts
OUTPUT CURRENT	I_{01} I_{02} I_{03} I_{04}	10 20 2 2	Amps
Operating and Storage Temperature Range	T_{OP} & T_{STG}	-20 TO +125	°C



NOTE: All specifications are subject to change without notification. SCD's for these devices should be reviewed by SSDI prior to release.

DATA SHEET #: PM0007A

