

SPECIFICATIONS

Mechanical

Connector Mating Force : 1.50 Kgf max.
 Connector Unmating Force : 1.50 Kgf max.
 Durability : 5,000 Cycles

Electrical

Voltage Rating: 150V
 Current Rating: 0.5A
 Contact Resistance: Initial 80mΩ max., ΔR 20mΩ max.
 Dielectric Withstanding Voltage: 500V AC/1 min.
 Insulation Resistance: 100MΩ

Physical

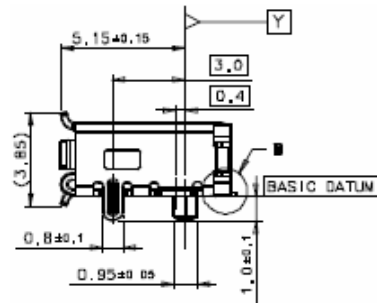
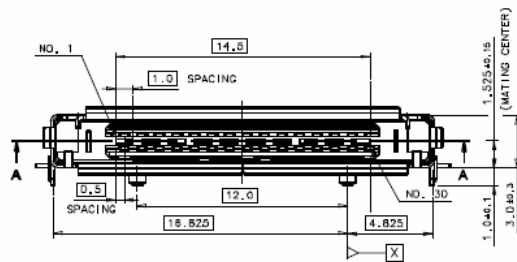
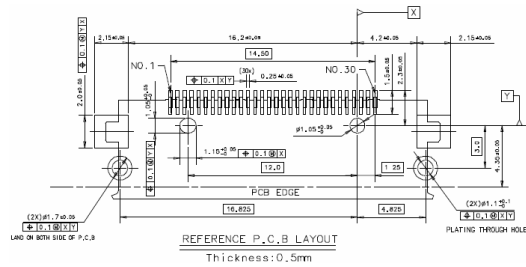
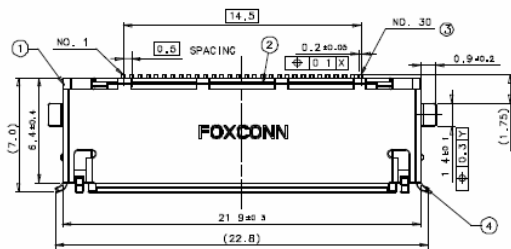
Housing: Thermoplastic, UL 94V-0 rated in Natural Color
 Contact: Copper alloy
 Plating: See "ORDERING INFORMATION"
 Metal Spring & Solder Pad: Copper alloy
 Operating Temperature: -55°C to +85°C

Docking Connector

QV Series
 Horizontal, SMT, Board side
 0.50mm, Pitch
 30 Pos



DRAWING



ORDERING INFORMATION

