

MULTI-FUNCTIONAL SWITCHES

Lever Push Switches Pb Free

■ Features

1. One unit of this switch is sufficient for both function selection and entry of the selected function.
2. Of a small and narrow design, 2 options are available, for either side or front mounting.
3. J-lead type terminals located on the side of the body of the horizontal type help downsize equipment.

■ Specification

Part No.		JLS1200-02□□	JLS1300-07□□	JLS1300-08□□	JLS1500-03□□	JLS1500-04□□	JLS1300-1301F
Rating		DC5V 10mA	DC5V 10mA	DC5V 10mA	DC5V 10mA	DC5V 10mA	DC5V 10mA
Rotation Angle	ON	12.5°	12.5°	12.5°	*1	*1	12.5°
	Full	18°	18°	18°	18°	18°	18°
Push Stroke	ON	—	0.5mm	0.5mm	0.5mm	0.5mm	0.5mm
	Full	—	0.8mm	0.8mm	0.8mm	0.8mm	0.8mm
Operating Force	Rotation	1.4N	1.4N	1.4N	0.8N	0.8N	1.4N
	Push	—	2.5N	2.5N	2N	2N	2.5N
Circuit	Rotation	SPDT	SPDT	SPDT	SP4T	SP4T	SPDT
	Push	—	SPST	SPST	SPST	SPST	SPST

*1 See output code chart.

■ Application

Cellular phone, DSC, DVC and portable audio equipment etc.

■ Output Cord Chart

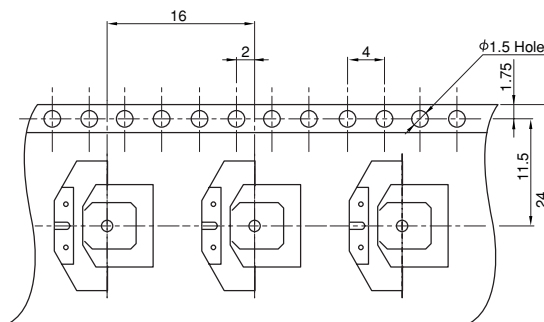
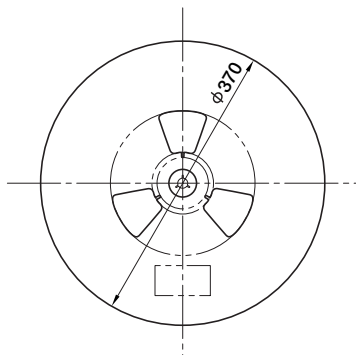
Terminal	Angle (-18°)	-15°	-10.5°	10.5°	15°	(18°)
a	█					
b	█	█				
d						█
e				█	█	█
c(common)	█	█	█	█	█	█

CCW ← → CW (code ON= █)

■ Tape Dimension

■ Reel Dimension

* JLS1200-02□□
 JLS1300-07□□
 JLS1300-08□□



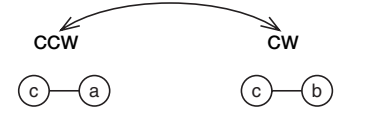
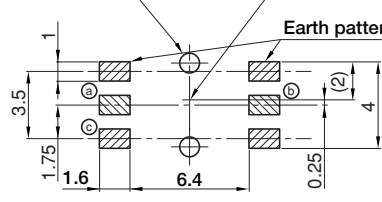

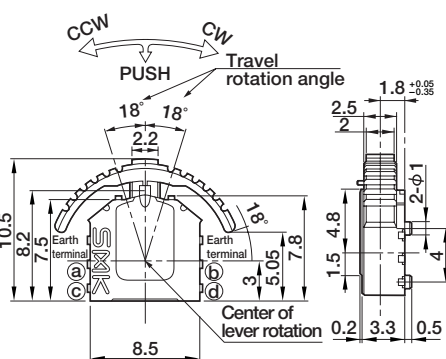
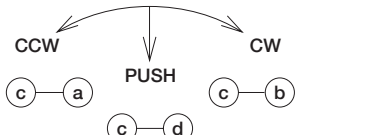
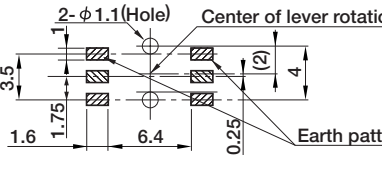

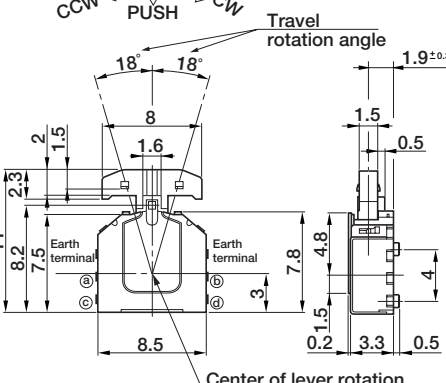
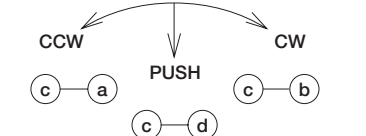
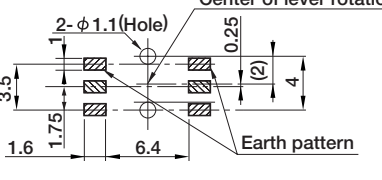


□□	Packing
01	Product Part No.
11	Embossed Taping Pack

* 01 is product part No. and delivery will be made on embossed tape.

MULTI-FUNCTIONAL SWITCHES

Lever Push Switches Pb Free

<p>JLS1200-02 □□</p>  <p>(Without Center Push)</p>	 <p>1,000 pcs/reel</p>	<p>Circuit</p>   <p>P.C.Board Dimension</p>
<p>JLS1300-07 □□</p>  <p>(With Center Push)</p>	 <p>1,000 pcs/reel</p>	<p>Circuit</p>   <p>P.C.Board Dimension</p>
<p>JLS1300-08 □□</p>  <p>(With Center Push)</p>	 <p>1,000 pcs/reel</p>	<p>Circuit</p>   <p>P.C.Board Dimension</p>

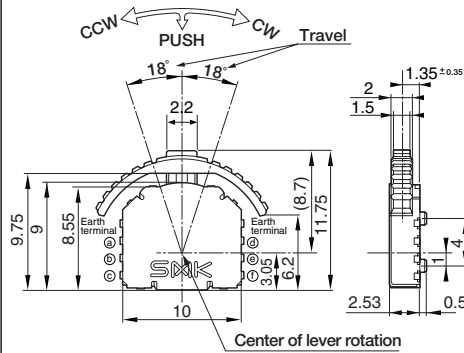
MULTI-FUNCTIONAL SWITCHES

Lever Push Switches

JLS1500-03□□

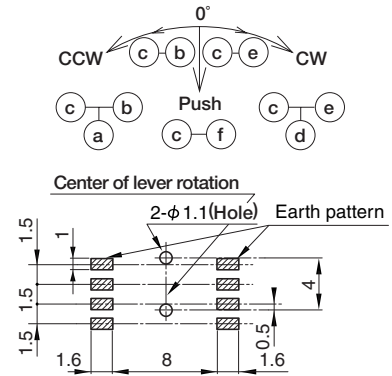


(With Center Push)



1,200 pcs/reel

Circuit

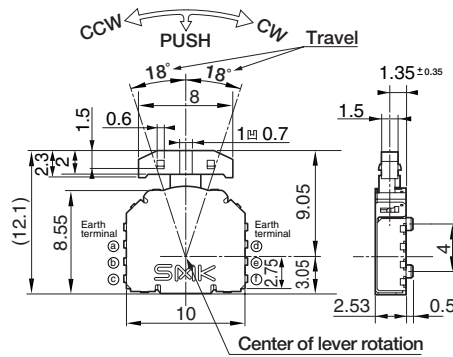


P.C.Board Dimension

JLS1500-04□□

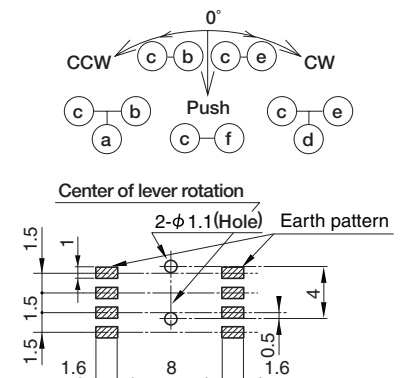


(With Center Push)



1,200 pcs/reel

Circuit

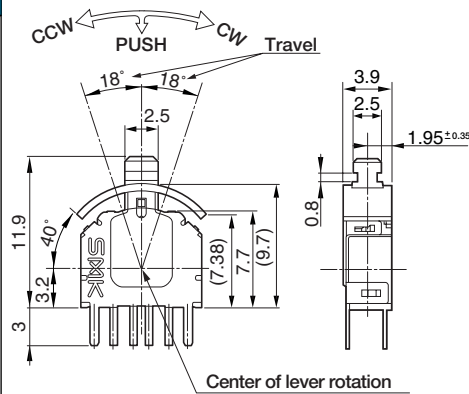


P.C.Board Dimension

JLS1300-1301F

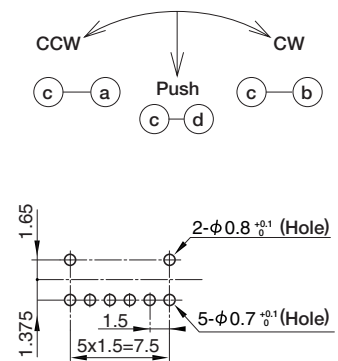


(With Center Push)



Pack in Bulk

Circuit



P.C.Board Dimension

MULTI-FUNCTIONAL SWITCHES