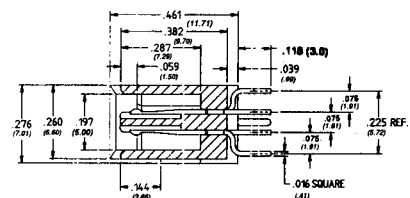
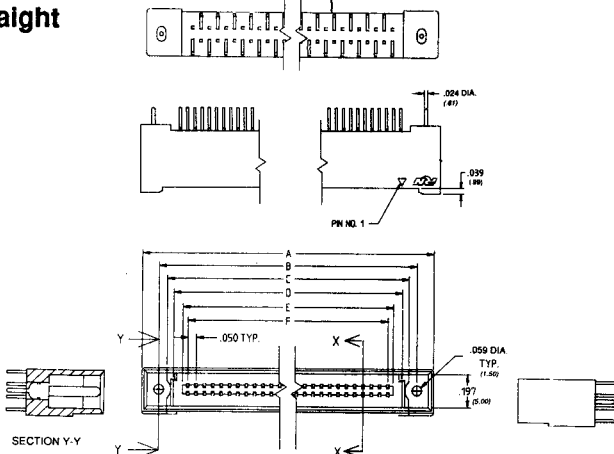


PLUGS

P50-XXXPG-XX-TGF

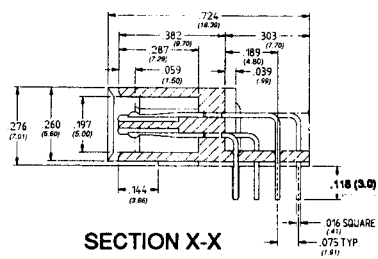
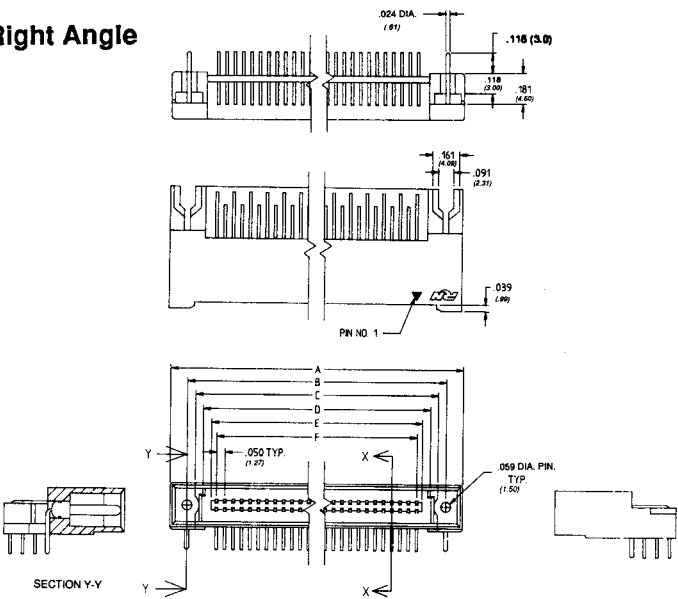
Straight



SECTION X-X

No. of Contacts	A	B	C	D	E	F
20	1.001 (25.43)	0.800 (20.32)	0.702 (17.84)	0.623 (15.82)	0.517 (13.13)	0.450 (11.43)
30	1.251 (31.78)	1.050 (26.67)	0.952 (24.18)	0.873 (22.17)	0.767 (19.48)	0.700 (17.78)
40	1.501 (38.13)	1.300 (33.02)	1.202 (30.53)	1.123 (28.52)	1.017 (25.83)	0.950 (24.13)
50	1.751 (44.48)	1.550 (39.37)	1.452 (36.88)	1.373 (34.87)	1.267 (32.18)	1.200 (30.48)
60	2.001 (50.83)	1.800 (45.72)	1.702 (43.23)	1.623 (41.22)	1.517 (38.53)	1.450 (36.83)
68	2.201 (55.91)	2.000 (50.80)	1.902 (48.31)	1.823 (46.30)	1.717 (43.61)	1.650 (41.91)
80	2.501 (63.53)	2.300 (58.42)	2.202 (55.93)	2.123 (53.92)	2.017 (51.23)	1.950 (49.53)
100	3.001 (76.22)	2.800 (71.12)	2.702 (68.63)	2.623 (66.62)	2.517 (63.93)	2.450 (62.23)

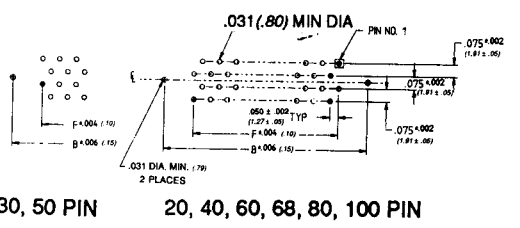
Right Angle



SECTION X-X

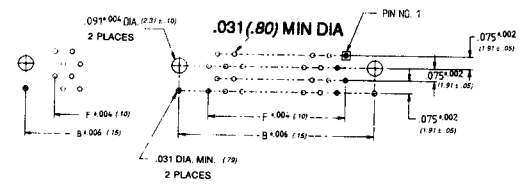
Printed Circuit Board Layout

Straight



30, 50 PIN 20, 40, 60, 68, 80, 100 PIN

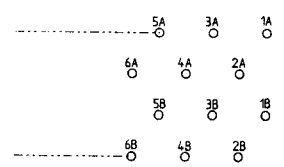
Right Angle



30, 50 PIN 20, 40, 60, 68, 80, 100 PIN

No. of Contacts	B	F
20	0.800 (20.32)	0.450 (11.43)
30	1.050 (26.67)	0.700 (17.78)
40	1.300 (33.02)	0.950 (24.13)
50	1.550 (39.37)	1.200 (30.48)
60	1.800 (45.72)	1.450 (36.83)
68	2.000 (50.80)	1.650 (41.91)
80	2.300 (58.42)	1.950 (49.53)
100	2.800 (71.12)	2.450 (62.23)

Pin Out Identification



RN PAK-50®