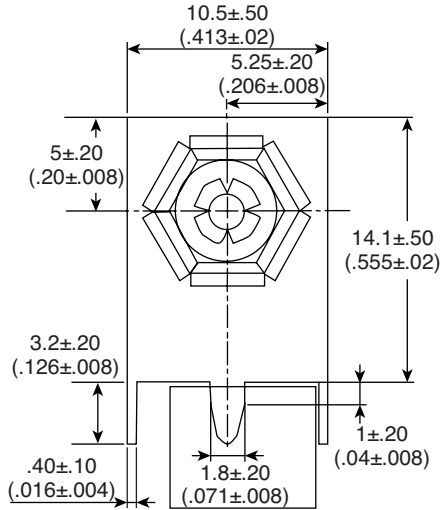
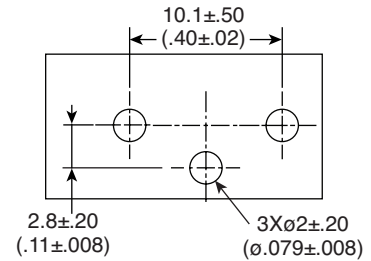
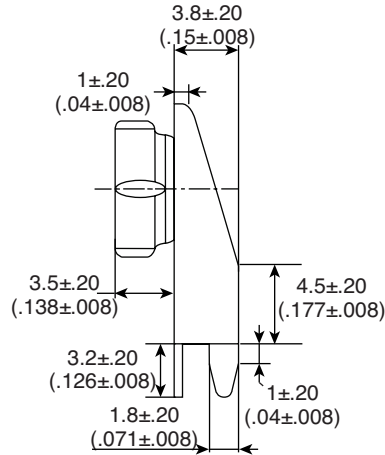


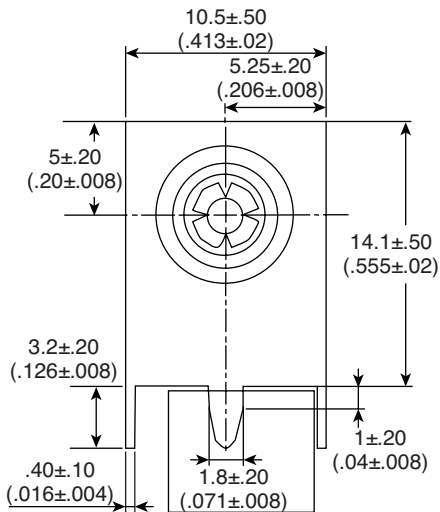
Date Last Revised: 1-09-14



Female Contact 12BC2202-GR



PCB/MOUNTING LAYOUT



Male Contact 12BC2102-GR

DIMENSIONS mm (in.)

SPECIFICATIONS	
Terminal:	With 6 prong snap terminal
Material:	Brass, nickel plated
Thickness:	0.4mm
RoHS Compliant	

Available from Mouser Electronics
1-800-346-6873 / www.mouser.com

EPD-200926

Mouser Electronics

Authorized Distributor

Click to View Pricing, Inventory, Delivery & Lifecycle Information:

[Eagle Plastic Devices:](#)

[12BC2202-GR](#) [12BC2102-GR](#)