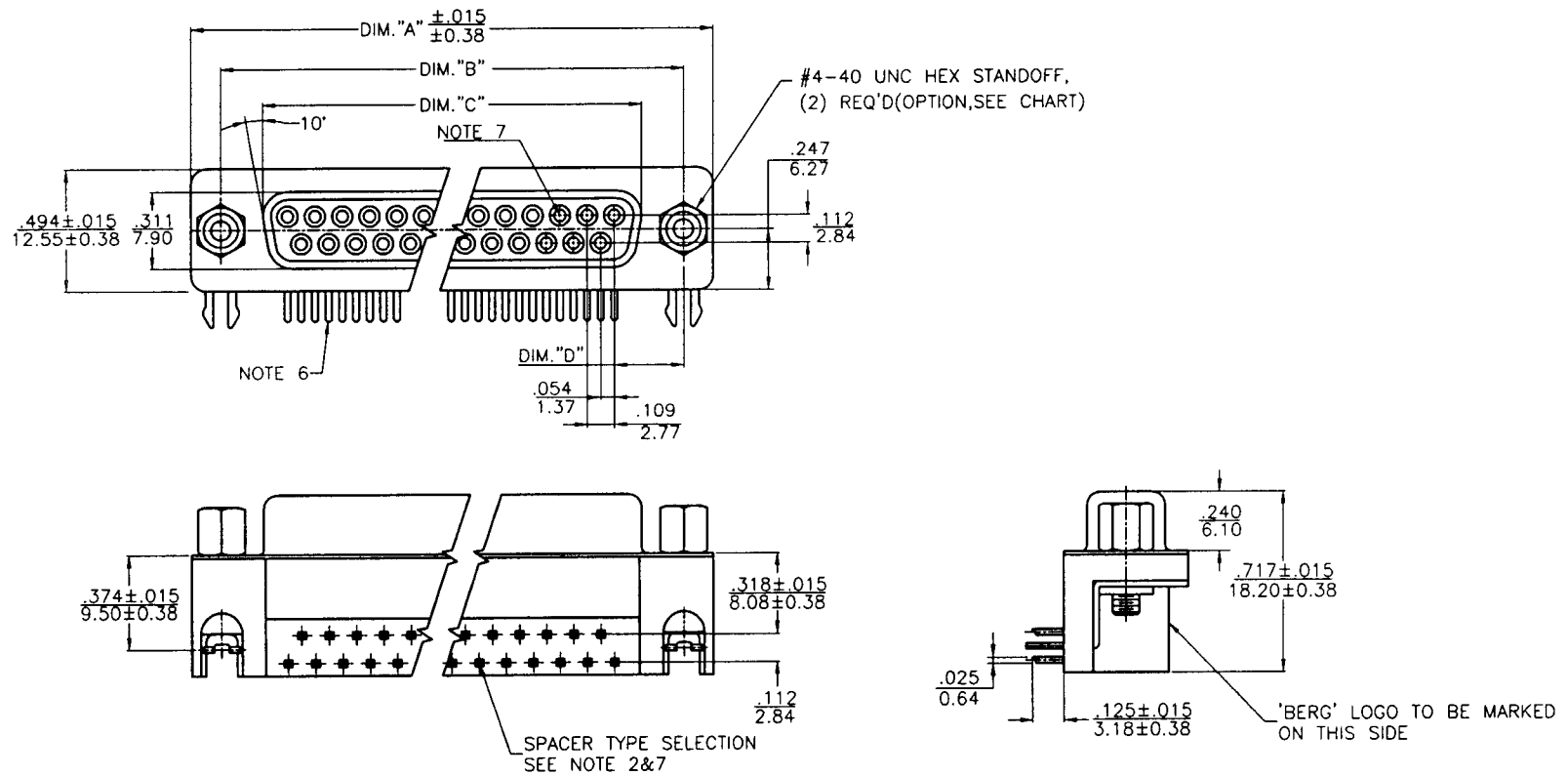


All rights strictly reserved. Reproduction or use in any form without the prior written permission of BERG ELECTRONICS is prohibited. Copyright © BERG ELECTRONICS, Inc.

PRODUCT NO.	NO. OF POS.	DIM "A" mm in	DIM "B" mm in	DIM "C" mm in	DIM "D" mm in
93888-XXXX09	9	30.84/1.214	24.99/0.984	16.26/0.640	6.96/.274
93888-XXXX15	15	39.24/1.545	33.32/1.312	24.56/0.967	6.96/.274
93888-XXXX25	25	53.04/2.088	47.04/1.852	38.30/1.508	6.91/.272
93888-XXXX37	37	69.34/2.730	63.50/2.500	54.76/2.156	6.83/.269

(NOTE 2)



mat'l. code		tolerances unless otherwise specified		CUSTOMER COPY	BERG ELECTRONICS	
ltr	ecn no	dr	date	.0 ± 0.3 / .00 ± 0.1	projection	title
A	T30253	JL	9/23/93	linear	.00 ± 0.13 / .000 ± 0.05	D-SUB,R/A,FEMALE
B	T30297	JL	9/23/93		.000 ± 0.051 / .0000 ± 0.025	.318" FOOT PRINT
C	T30337	JL	11/2/93	angles	0' $\pm 2'$	
D	T80575	BENNY	12/16/98	dr	J. LIN 9/23/93	product family D-SUB
				enrg	J. LIN 9/23/93	code
				chr	J. LIN 9/23/93	size
				pppd	C.M CHANG 9/23/93	93888
sheet	revision	D	C	D	D	sheet
index	sheet	1	2	3	4	1 of 4

product no
SEE CHART

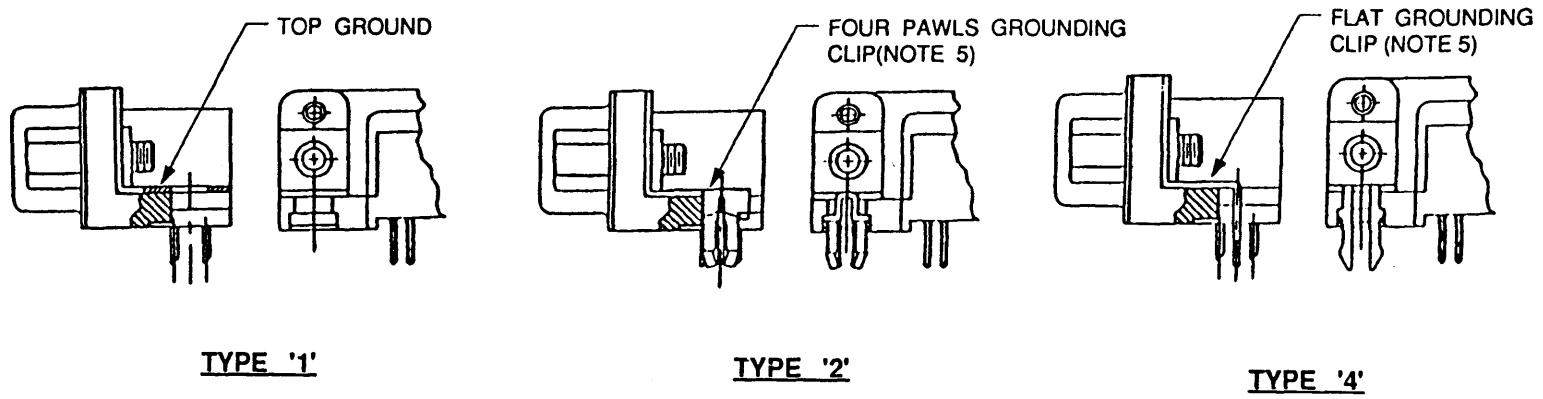


FIGURE 1. OPTIONS FOR GROUNDING CLIP

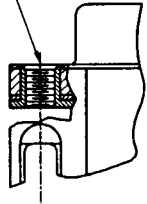
mat'l code SEE NOTE 1				tolerances unless otherwise specified		CUSTOMER COPY	BERG ELECTRONICS				
ltr	ecn no	dr	date	linear	0.0-0.38 / .00-0.15	projection	title D-SUB, R/A, FEMALE, .318" FOOT PRINT				
C					0.00-0.25 / .000-0.10						
				angles	±0°30'		product family	D - SUB	code	TWN	
				dr	J. LIN		9/23/93	size	dwg no	93888	sheet
				enrg	J. LIN	9/23/93	scale	A3			
				chr	J. LIN	9/23/93	scale	N/A			
				appd	C M CHANG	9/23/93					
sheet	revision										
index	sheet	1									

PRODUCT NO.

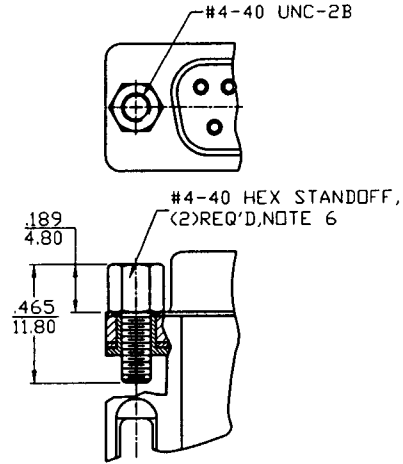
SEE CHART



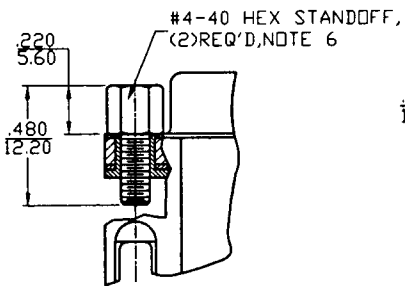
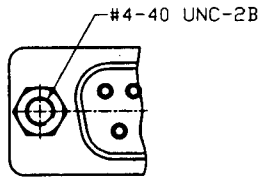
#4-40 UNC THREADED INSERT FLUSH MOUNT



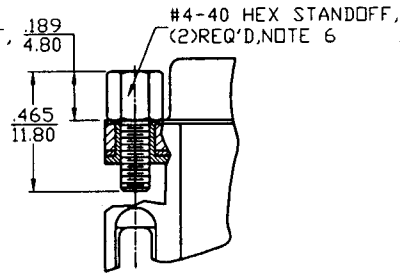
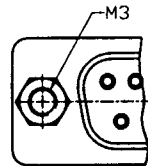
TYPE '0'



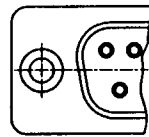
TYPE '1'



TYPE '2'

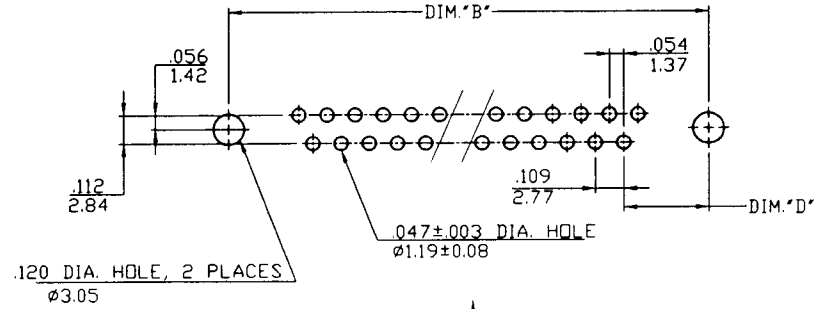


TYPE '3'



TYPE '9'

FIGURE 2. OPTIONS FOR HEX-NUT STANDOFF



MALE CONNECTOR MATING DIRECTION

FIGURE 3. RECOMMENDED P.C.B. LAYOUT (TOP VIEW)

All rights reserved. Reproduction in whole or in part without the written permission of BERG ELECTRONICS is prohibited.

BERG
ELECTRONICS

All rights reserved. Reproduction in whole or in part without the written permission of BERG ELECTRONICS is prohibited.

mat'l. code		tolerances unless otherwise specified		CUSTOMER COPY		BERG ELECTRONICS	
ltr	ecn no	dr	date	linear	.0±0.3/.00±.01	projection	title
D					.00±0.13/.000±.005		D-SUB,R/A,FEMALE, .318" FOOT PRINT
				angles	.000±0.051/.0000±.002		product family
				dr	0°±2"	MM/INCH	code
				enr	J. LIN 9/23/93	scale	size
				chr	J. LIN 9/23/93	A3	93888
				appd	C M CHANG 9/23/93		sheet 3 of
sheet index	revision sheet						

PRODUCT NO.

SEE CHART

NOTES :

1. MATERIAL :

- a. HOUSING: GF POLYESTER, FLAME RETARDANT PER UL94V-0, COLOR: BLACK.
- b. SHELL :STEEL STRIP WITH NIKEL OR TIN PLATING, THE SELECTION SEE NOTE 2.
- c. CONTACTS : PHOSPHOR BRONZE WITH GOLD PLATING ON THE CONTACT AREA AND TIN PLATING ON THE SOLDER TAIL. THE SELECTION SEE NOTE 2.

2. THE PART NUMBERS ARE ASSIGNED AS FOLLOWS:

93888-X X X X YY

NO. OF CONTACT

SHELL PLATING & SPACER TYPE: 1 FOR NICKEL SHELL WITH OPEN SPACER
 2 FOR NICKEL SHELL WITH CLOSE SPACER
 3 FOR TIN SHELL WITH OPEN SPACER
 4 FOR TIN SHELL WITH CLOSE SPACER

GROUNDING CLIP: 1 FOR TYPE "1", 2 FOR TYPE "2", 4 FOR TYPE "4"

HEX -STANDOFF: 0 FOR TYPE "0" 1 FOR TYPE "1", 2 FOR TYPE "2", 3 FOR TYPE "3", 9 FOR TYPE "9"

CONTACT PLATING: 0 FOR GOLD FLUSH
 1 FOR 10 MICROINCH GOLD.
 3 FOR 30 MICROINCH GOLD.
 5 FOR 15 MICROINCH GOLD.

3. RECOMMENDED PCB MOUNTING LAYOUT SHOWN IN FIGURE 3.

- 4. THE OPTIONS FOR GROUND CLIP PER FIGURE 1, AND FOR HEX-STANDOFF PER FIGURE 2.
- 5. GROUNDING CLIP: TYPE "2" AND TYPE "4" ARE FOR .120/3.05 DIA. PCB HOLE.
- 6. BOTH HEX-STANDOFF SHALL BE FASTERNED WITH D-SUB TOGETHER.
- 7. THERE ARE TWO TYPE OF SPACER, ONE IS THE OPEN(STANDARD) TYPE, THE OTHER IS THE CLOSE TYPE; THE SELECTION SEE NOTE 2.

All rights strictly reserved. Reproduction or dissemination of this drawing without the written consent of BERG ELECTRONICS is prohibited. Copyright BERG ELECTRONICS, Inc.



All rights strictly reserved. Reproduction or dissemination of this drawing without the written consent of BERG ELECTRONICS is prohibited. Copyright BERG ELECTRONICS, Inc.

mat'l. code		tolerances unless otherwise specified		CUSTOMER COPY		BERG ELECTRONICS	
tr	ecn no	dr	date	linear	projection	title	
D				.00±0.13/.000±.005		D-SUB,R/A, FEMALE, .318" FOOT PRINT	
				.000±0.051/.0000±.0020		product family	D-SUB
				angles	MM/INCH	size	dwg no
				0°±2°	scale	A3	93888
				dr	J. LIN	9/23/93	
				enr	J. LIN	9/23/93	
				chr	J. LIN	9/23/93	
				appd	C M CHANG	9/23/93	sheet 4 of
sheet	revision						
index	sheet						