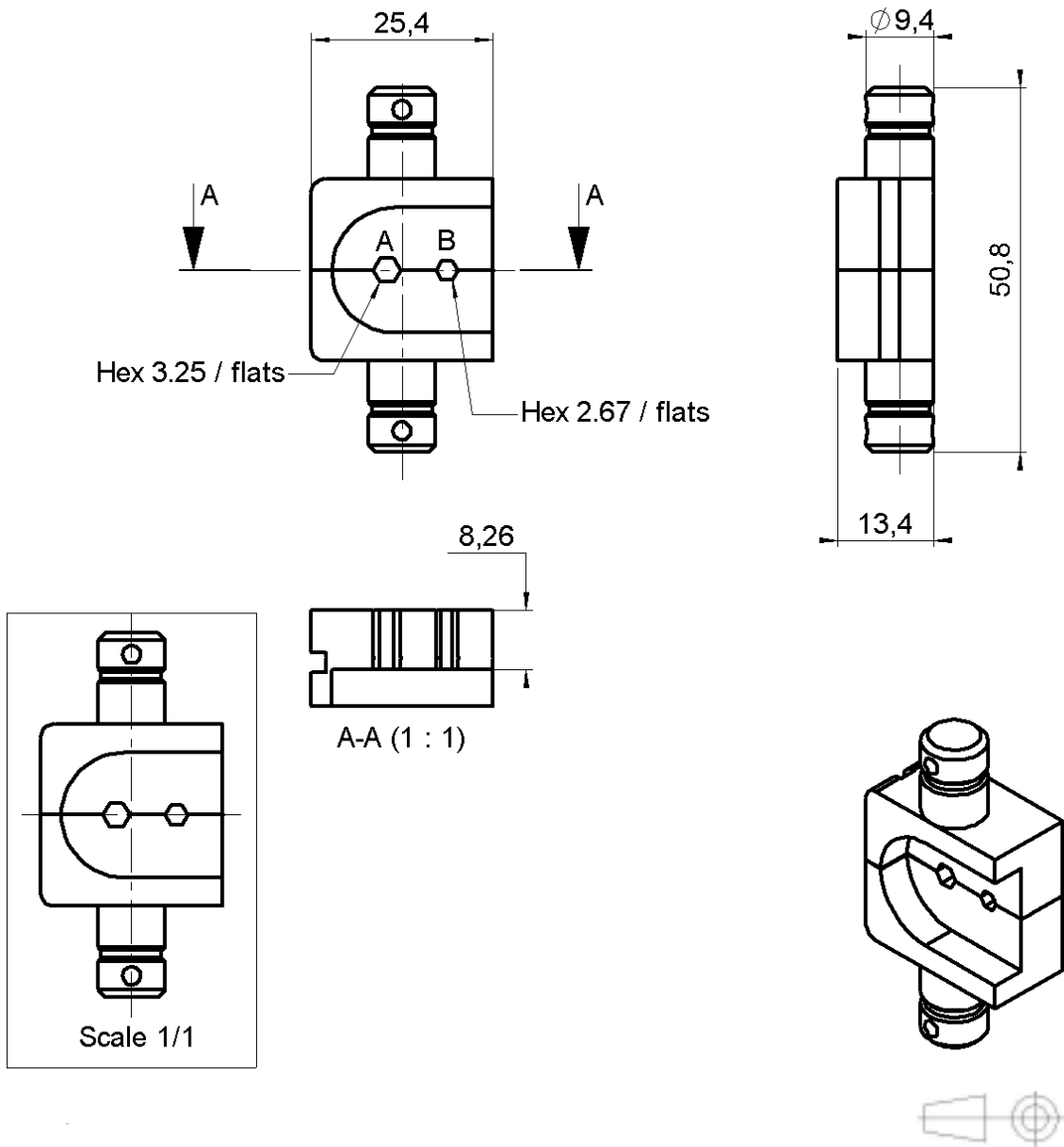


CRIMPING DIES
HEX 3.25-2.67 (M22520/5-03)

R282.235.003

Series : **OUT**



TO BE USED WITH CRIMPING TOOL :
 R282.293.000 (M 22520 / 5-01)

Issue : 0043 A

In the effort to improve our products, we reserve the right to make changes judged to be necessary.

