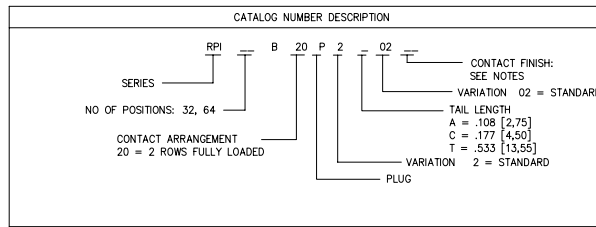


TABLE OF DIMENSIONS					
CATALOG NUMBER	NUMBER OF POSITIONS	A (MAX)	B	C ±.004 [0,10]	D
RPI32B2OP2_02	32	2.140 54,36	1.968 50,00	1.760 44,70	1.500 38,10
RPI64B2OP2_02	64	3.740 95,00	3.543 90,00	3.358 85,30	3.100 78,74



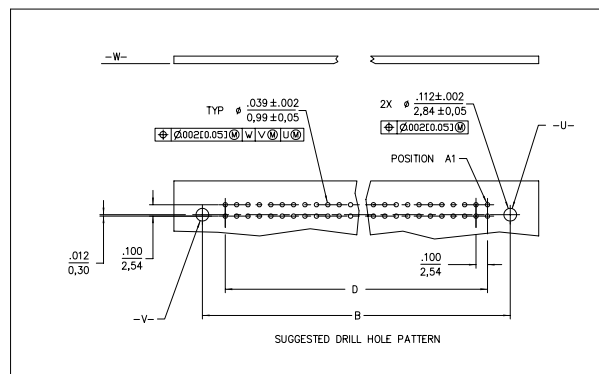
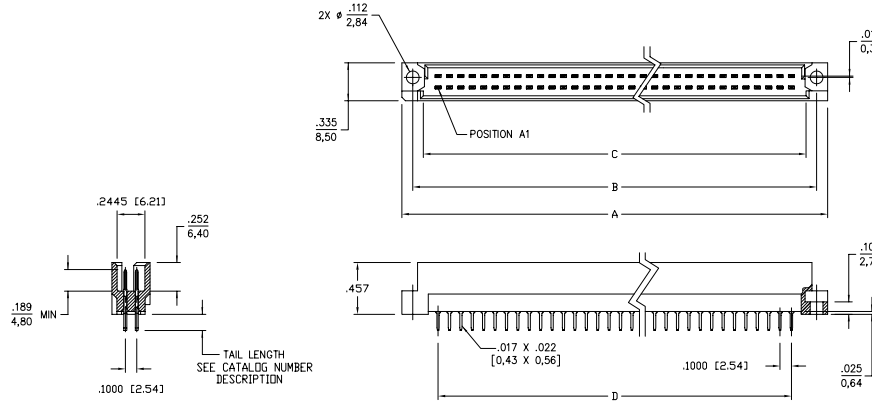
NOTES: UNLESS OTHERWISE SPECIFIED

MATERIAL:
BODY - GLASS REINFORCED POLYESTER UL94V-0, COLOR - LIGHT GRAY
CONTACTS - COPPER ALLOY

CONTACT FINISH:

N9 = 30 MICROINCHES [0,762 MICRONS] MIN GOLD IN CONTACT AREA
100 MICROINCHES [2,54 MICRONS] MIN TIN/LEAD ALLOY ON CONTACT TAILS
50 MICROINCHES [1,27 MICRONS] MIN NICKEL UNDERPLATE ALL OVER.

Z1 = 16 MICROINCHES [0,406 MICRONS] MIN GOLD IN CONTACT AREA
100 MICROINCHES [2,54 MICRONS] MIN TIN/LEAD ALLOY ON CONTACT TAILS
50 MICROINCHES [1,27 MICRONS] MIN NICKEL UNDERPLATE ALL OVER.



mat'l. code		surface ISO 1302 ✓		tolerance ISO 406 ISO 1101		projection		product family DIM	
ltr	ecn no	dr	date	tolerances unless otherwise specified		INCH/MM		title	
B	V20605	TAB	-	angles	linear	.XX±.01/.3		REVERSE TWO ROW VERTICAL	
C	M06-0330	AGS	8/28/06	0°±2'		.XXX±.005/.13		PLUG. TYPE 0. 1/2 0	
						.XXXX±.0020/.051		scale 2:1	
		dr	JAT	4/20/95	FCJ		sheet 1 of 1		
		enr	JJK	5/16/95			A3		
		chr	JAT	4/17/95			SE96314		
		appd	KM	11/03/95	type		Product Customer Drawing		
sheet index	revision sheet	C	1						