

Features

- DC to 2.2 GHz
- Terminals for PCB placement
- Low VSWR
- Aluminum Nitride ceramic
- High power
- RoHS compliant*

Applications

- RF amplifiers
- Attenuators
- Antenna feeds
- Wilkinson dividers

CHF2010xNP Series 10 W Power RF Chip Termination/Resistor

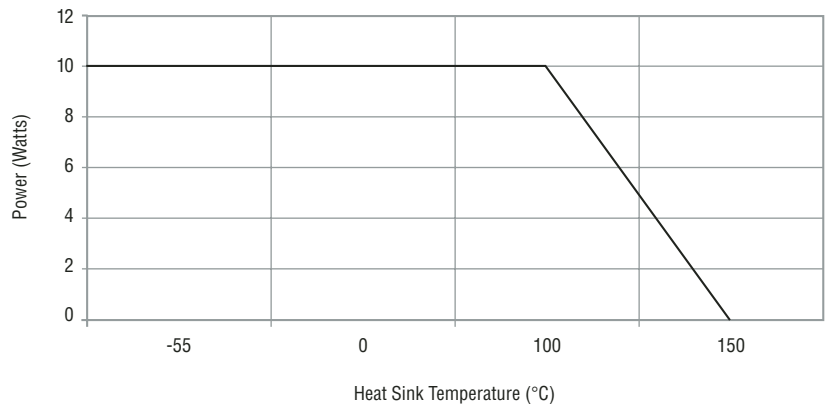
General Specifications

Substrate.....	ALN
Resistive Film	Thick-Film
Terminals	NiSn and NiAu
Capacitance.....	0.75 pF
Resistance	
CHF2010CNP500L	50 Ω
CHF2010CNP101R.....	100 Ω
CHF2010DNP101R.....	100 Ω
Tolerance	
CHF2010CNP500L	±5 %
CHF2010CNP101R.....	±5 %
CHF2010DNP101R.....	±2 %
Packaging	
Tape & Reel.....	2000 pcs./10 " reel
Bulk	100 pcs./bag

Absolute Ratings

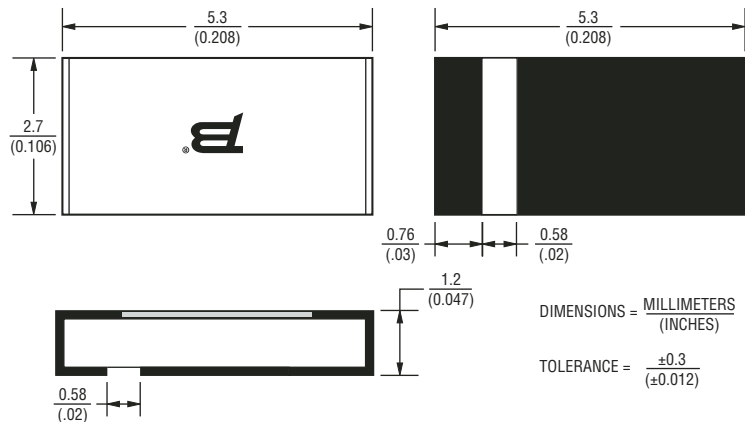
Power.....	10 W
Frequency	
CHF2010CNP500L.....	2 GHz
CHF2010CNP101R	2.2 GHz
CHF2010DNP101R	2.2 GHz
VSWR	1.2 Maximum

Characteristic Curve

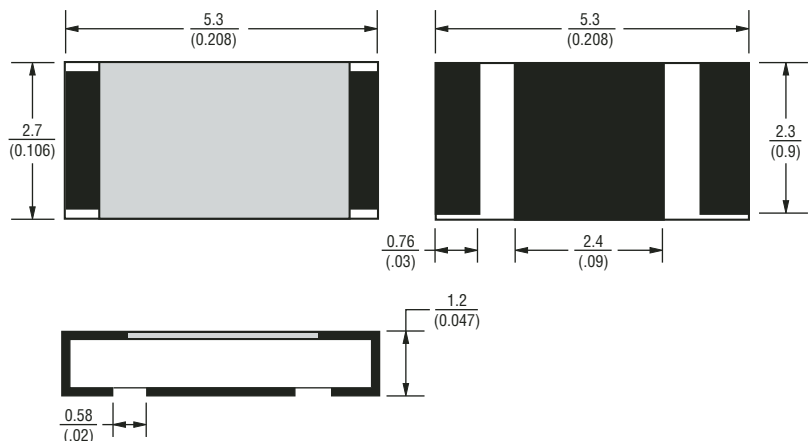


Product Dimensions

CHF2010CNP500L



CHF2010CNP101R & CHF2010DNP101R



Reliable Electronic Solutions

Asia-Pacific:
Tel: +886-2 2562-4117
Fax: +886-2 2562-4116

Europe:
Tel: +41-41 768 5555
Fax: +41-41 768 5510

The Americas:
Tel: +1-951 781-5500
Fax: +1-951 781-5700

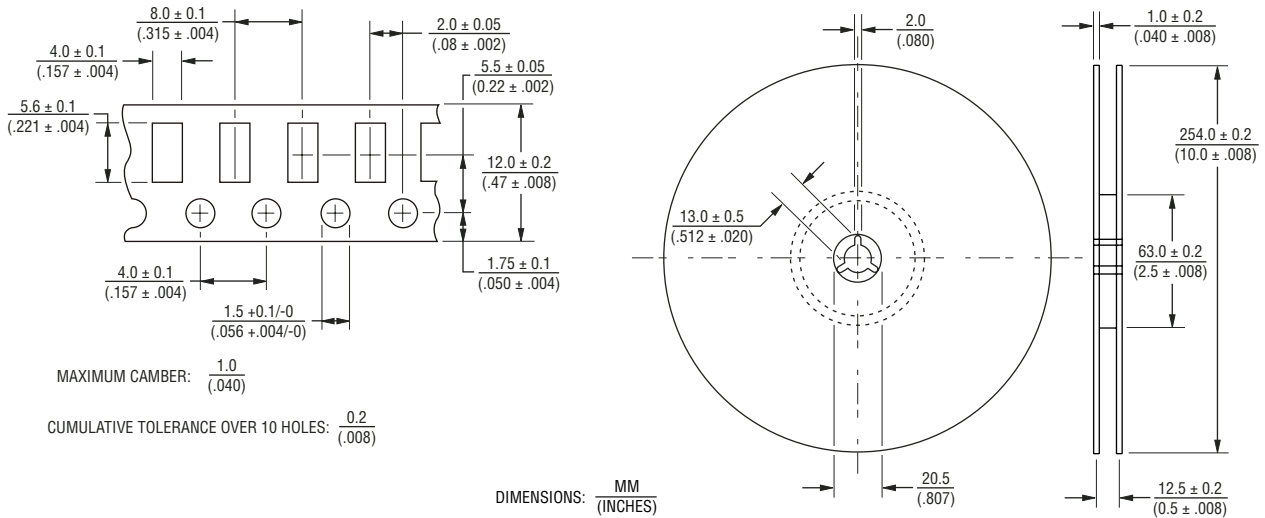
www.bourns.com

*RoHS Directive 2002/95/EC Jan 27 2003, including Annex
Specifications are subject to change without notice.
Customers should verify actual device performance in their specific applications.

CHF2010xNP Series 10 W Power RF Chip Termination/Resistor



Packaging Dimensions



How To Order

CHF 2010 C N P 500 L X E

Model _____

Package _____

Version _____

C = 5 % Tolerance
D = 2 % Tolerance

Substrate _____

Mount _____

P = Printed Circuit Board

Resistance Code _____

500 = 50 Ohm
101 = 100 Ohm

Type _____

L = Termination (One Lead)
R = Resistor (Two Leads)

Plating _____

W = NiSn
X = Ni Au

Packaging _____

Blank = Bulk (100 pcs./bag)
E = Tape & Reel (2,000 pcs./10 " reel)