

0.5A surface mount Schottky diode

CSOD0540SH

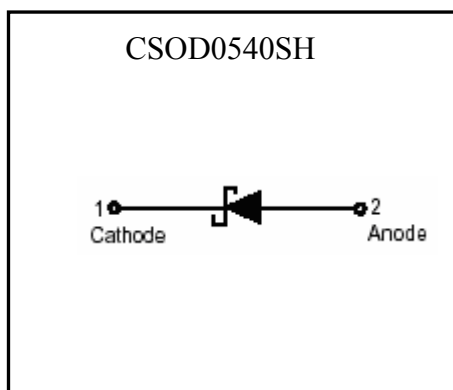
Features

- High current capability, low forward voltage drop
- High surge current capability
- Guardring for over voltage protection
- Low power loss, high efficiency
- Ultra high-speed switching
- Low profile surface mounted package in order to minimize board space
- Pb-free package

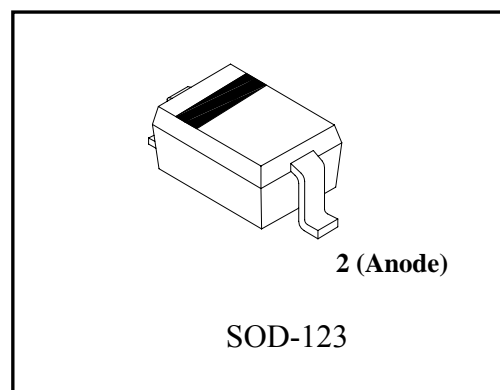
Mechanical data

- Case : Molded plastic, JEDEC SOD-123.
- Epoxy : UL94-V0 rated flame retardant
- Terminals : Plated terminals, solderable per MIL-STD-202 method 208
- Polarity : Indicated by cathode band
- Mounting position : Any
- Weight : approx. 0.04 gram

Symbol



Outline





Absolute Maximum Ratings (TA=25°C, unless otherwise noted)

Parameters	Conditions	Symbol	Min	Typ	Max	Units
Repetitive peak reverse voltage		VRRM			40	V
RMS voltage		VRMS			28	V
Continuous reverse voltage		VR			40	V
Forward rectified current		IO			0.5	A
	Single phase half wave, 60Hz @Tj=25°C	IF(AV)			1	
Forward surge current	8.3ms single half sine-wave superimposed on rated load (JEDEC method)	IFSM			15	A
Thermal resistance	Junction to Ambient	RθJA		250		°C/W
Storage temperature range		Tstg	-65		175	°C
Operating junction temperature range		Tj	-55		125	°C

Characteristics (TA=25°C)

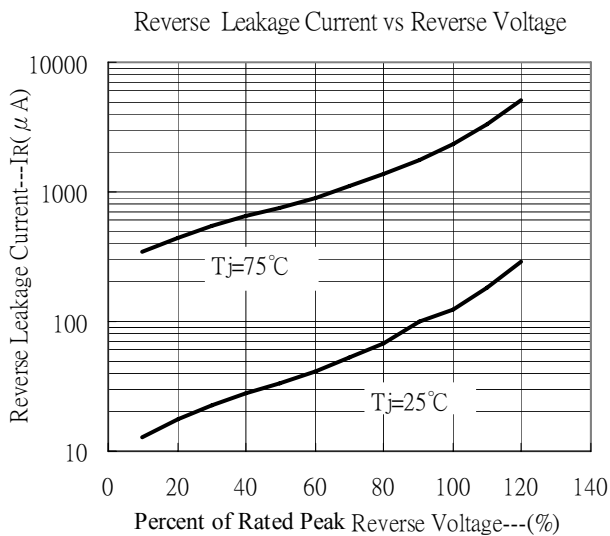
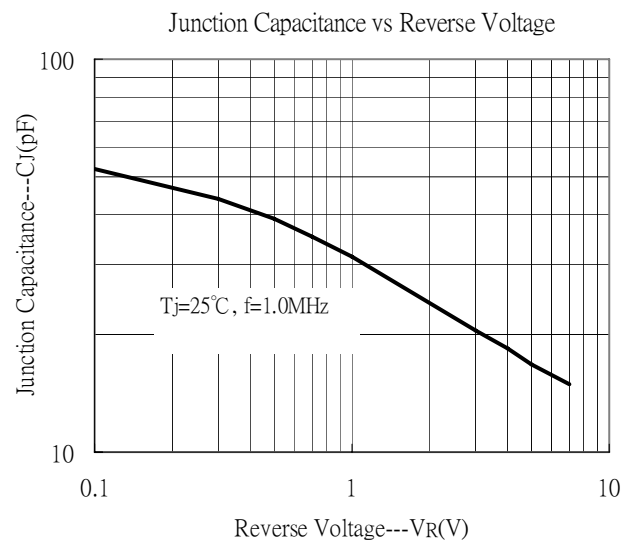
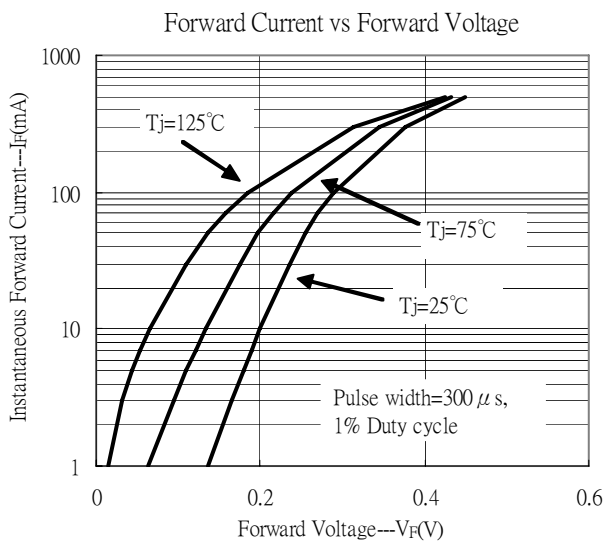
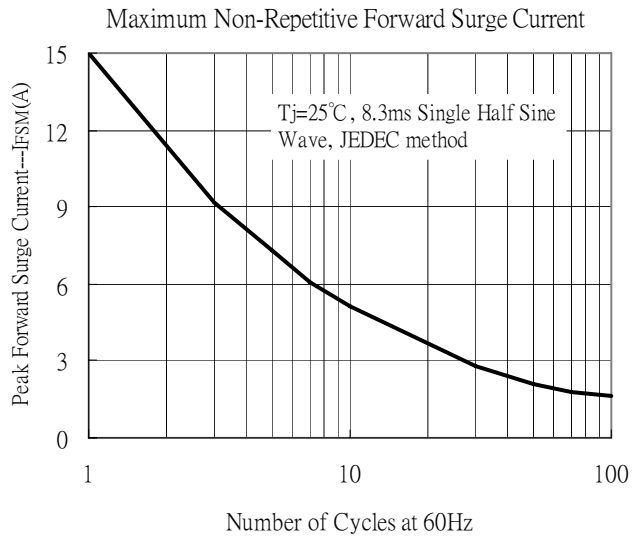
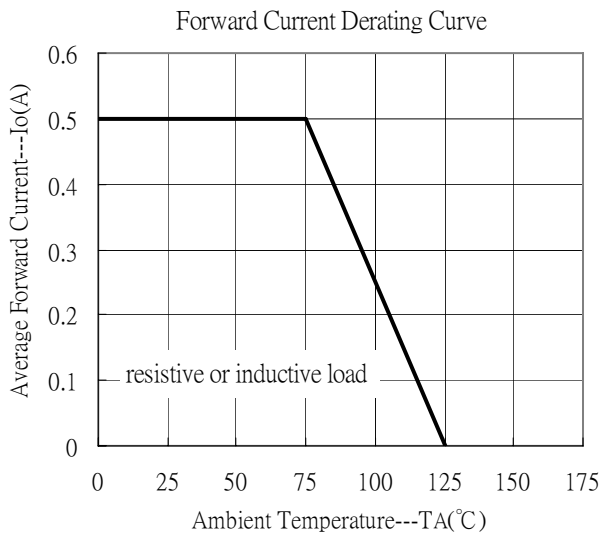
Characteristic	Symbol	Condition	Min.	Typ	Max.	Unit
	VR	IR=600µA	40	-	-	V
Forward Voltage	VF 1	IF=100mA	-	-	370	mV
	VF 2	IF=500mA	-	-	500	
Reverse Leakage Current	IR 1	VR=20V	-	-	100	µA
	IR 2	VR=40V	-	-	500	µA
	IR 3	VR=40V, TA=75°C	-	-	10	mA
Junction Capacitance	CJ	VR=4V, f=1MHz	-	18.3	-	pF

Ordering Information

Device	Package	Shipping
CSOD0540SH	SOD-123 (Pb-free package)	3000 pcs / Tape & Reel



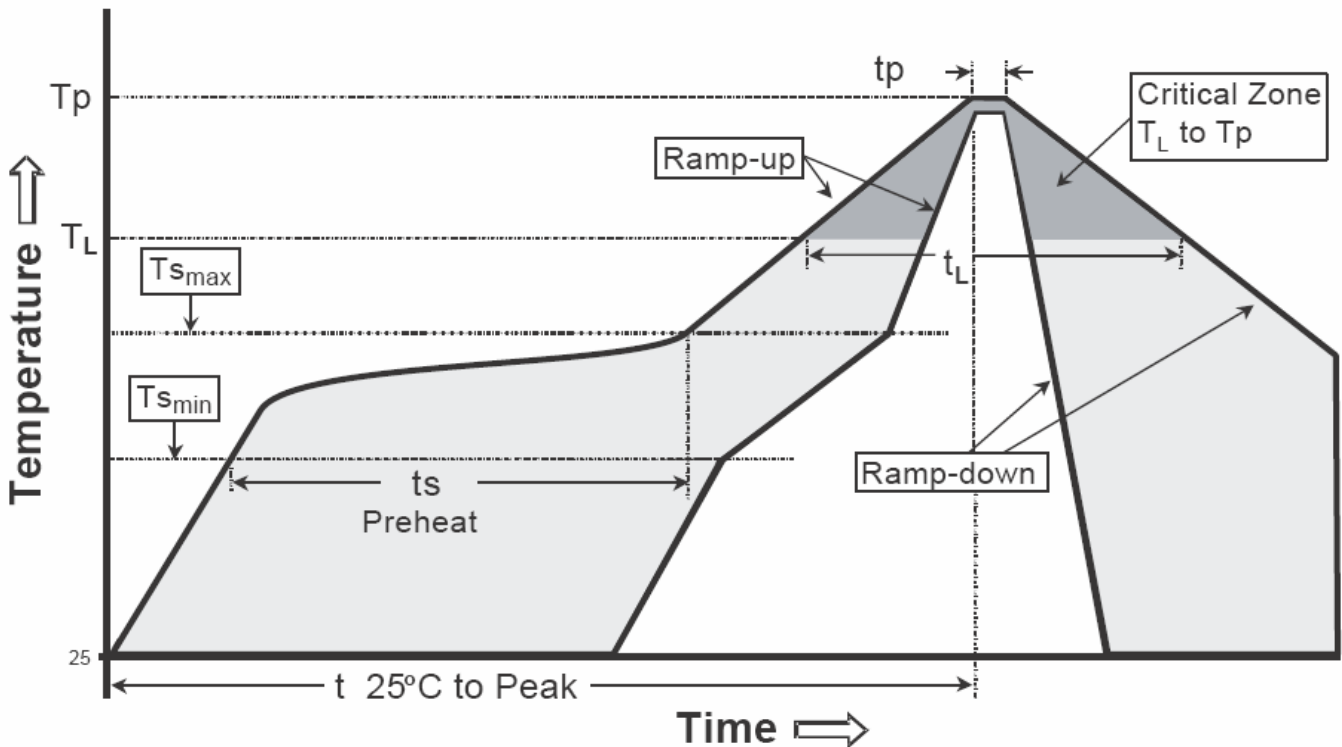
Characteristic Curves



Recommended wave soldering condition

Product	Peak Temperature	Soldering Time
Pb-free devices	260 +0/-5 °C	5 +1/-1 seconds

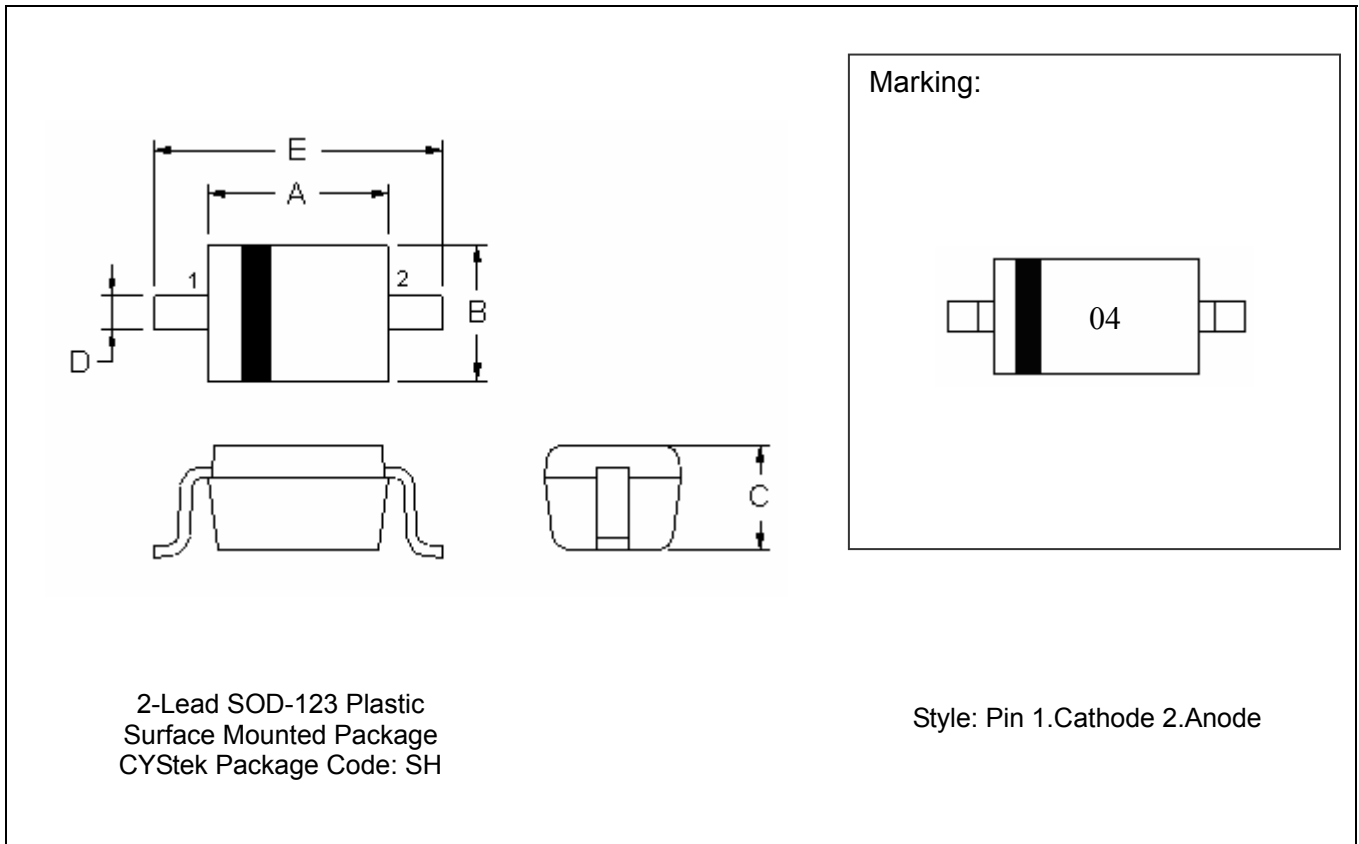
Recommended temperature profile for IR reflow



Profile feature	Sn-Pb eutectic Assembly	Pb-free Assembly
Average ramp-up rate (T _{smax} to T _p)	3°C/second max.	3°C/second max.
Preheat		
-Temperature Min(T _{s min})	100°C	150°C
-Temperature Max(T _{s max})	150°C	200°C
-Time(t _{s min} to t _{s max})	60-120 seconds	60-180 seconds
Time maintained above:		
-Temperature (T _L)	183°C	217°C
- Time (t _L)	60-150 seconds	60-150 seconds
Peak Temperature(T _p)	240 +0/-5 °C	260 +0/-5 °C
Time within 5°C of actual peak temperature(tp)	10-30 seconds	20-40 seconds
Ramp down rate	6°C/second max.	6°C/second max.
Time 25 °C to peak temperature	6 minutes max.	8 minutes max.

Note : All temperatures refer to topside of the package, measured on the package body surface.

SOD-123 Dimension



2-Lead SOD-123 Plastic
 Surface Mounted Package
 CYStek Package Code: SH

Style: Pin 1.Cathode 2.Anode

DIM	Inches		Millimeters		DIM	Inches		Millimeters	
	Min.	Max.	Min.	Max.		Min.	Max.	Min.	Max.
A	0.102	0.110	2.600	2.800	D	0.018	0.026	0.450	0.650
B	0.059	0.067	1.500	1.700	E	0.140	0.152	3.550	3.850
C	0.041	0.049	1.050	1.250					

Notes: 1.Controlling dimension : millimeters.
 2.Lead thickness specified per L/F drawing with solder plating.
 3.If there is any question with packing specification or packing method, please contact your local CYStek sales office.

Material:

- Lead: Pure tin plated
- Mold Compound: Epoxy resin family, flammability solid burning class: UL94V-0

Important Notice:

- All rights are reserved. Reproduction in whole or in part is prohibited without the prior written approval of CYStek.
- CYStek reserves the right to make changes to its products without notice.
- CYStek **semiconductor products are not warranted to be suitable for use in Life-Support Applications, or systems.**
- CYStek assumes no liability for any consequence of customer product design, infringement of patents, or application assistance.