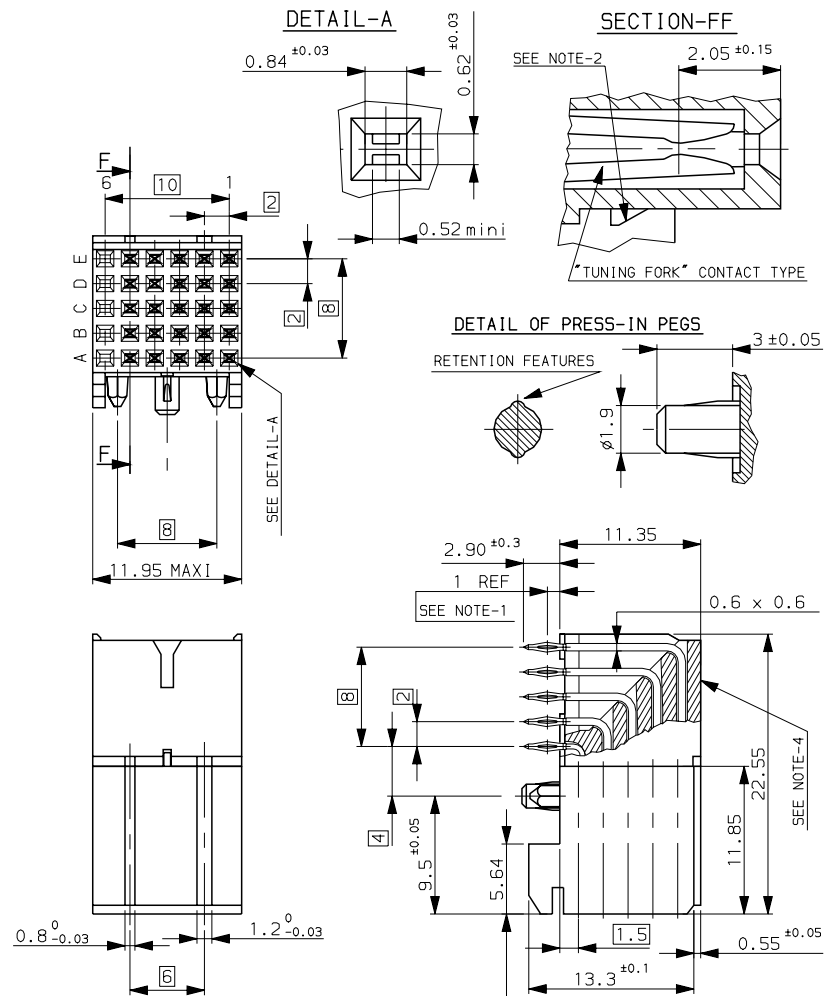
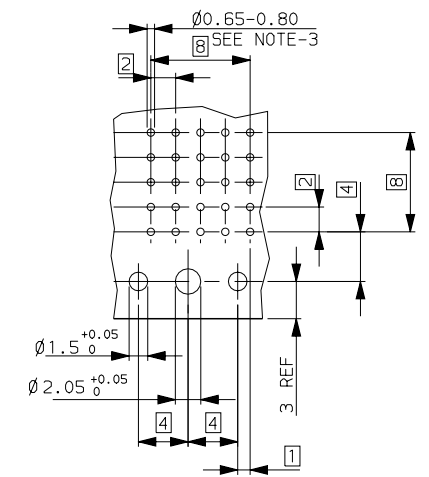


ITEM 49



LAYOUT FOR P.C.B



REDUCED SCALE SHEET

SPECIFIC DATAS: SELECTIVE CONTACTS LOADING
 - ROW 6 FREE OF CONTACTS

- GENERAL CHARACTERISTICS: SEE DRAWING REF C-8626-0000
- NOTE-1: "EYE OF THE NEEDLE" PRESS-FIT PIN TYPE
 - NOTE-2: PLUG FOR CODING KEY FIXING
 - NOTE-3: P.C.B HOLES DEFINITION, SEE DRAWING REF C-8626-0000
 - NOTE-4: INSERTION TOOLING ON PCB, SEE DRAWING REF C-8626-1003
 - NOTE-5: PERFORMANCE LEVEL = PL1 OF IEC-48B/424/CDV SPECIFICATION

| | | | |
|---|----------|--|--|
| Part number | | HM1F51FDP207H6P | |
| a | 03/02/97 | first issue | -- |
| ISS | DATE | Latest modification by : -- | MOD N° |
| Designed by: ETIEMBRE date 03/02/97 | | Type of drawing: CLIENT | SHEET 1/1 |
| TITLE : MILLIPACS-1 FEMALE 5 ROW-25 WAYS RIGHT ANGLE PRESS-FIT | | | |
| SCALE: 2.5 | | FRAMATOME CONNECTORS FRANCE Rue Louis Breguet - BP 05 72024 LE MANS Cedex Tel. (33)02.43.78.34.00 | |
| FORMAT A3 | | DRG N° C-8626-0806 | This document is the property of FRAMATOME CONNECTORS FRANCE It must not be reproduced or communicated without permission in writing from the owners |
| | | PROJECT D92D035 | |