

## SPECIFICATIONS

### Mechanical

Contact Retention Force: 0.38Kgf Min.

### Electrical

Voltage Rating: 250V

Current Rating: 0.5A Max. Per Pin

Dielectric Withstanding Voltage: 250V AC

Insulation Resistance: 1000 MΩ Min.

Contact Resistance: 30 Milliohms Max. Initial.

### Physical

Housing: Thermoplastic, UL 94V-0 Rating In Ivory Color

Contact: Copper alloy

Plating: See "ORDERING INFORMATION"

Operating Temperature: -40°C to +105°C

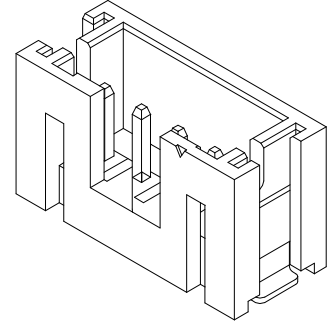
## Header

HS33 Series

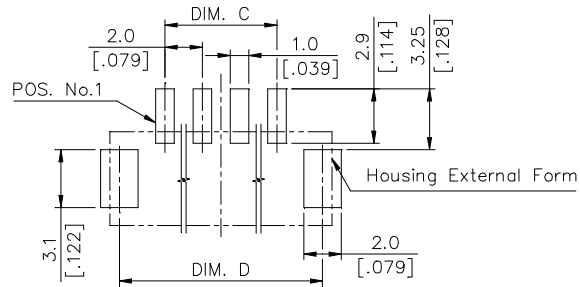
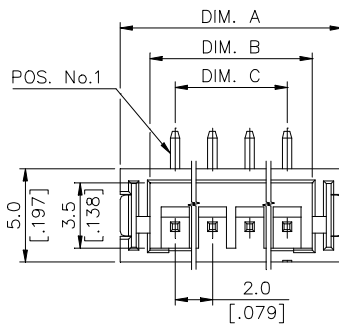
Vertical, SMT Type

Plug

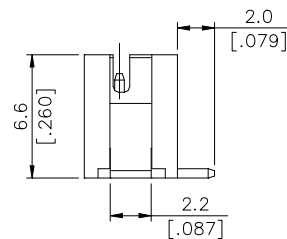
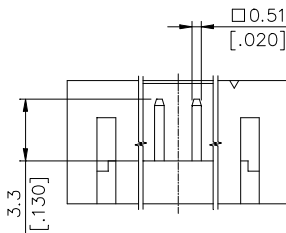
2.00mm [.079"] Pitch



## DRAWING



RECOMMENDED P.C.B LAYOUT



## ORDERING INFORMATION

PRODUCT No. : H S 3 3 \*\* \*

Header

SMT Header

Termination&Contact Type

No. Of Pos.

02=2 Pos.

04=4 Pos.

06=6 Pos.

Contact Area Plating

E= Tin Plating

With RoHS Compliance

F= Gold Flash

With RoHS Compliance

V=15u" Min. Gold Plating

With RoHS Compliance

H=30u" Min. Gold Plating

With RoHS Compliance

HS3306*	6	15.9 [.626]	12.70 [.500]	10.00 [.394]	14.9 [.587]
HS3304*	4	11.9 [.469]	8.70 [.343]	6.00 [.236]	10.9 [.429]
HS3302*	2	7.9 [.311]	4.70 [.185]	2.00 [.079]	6.9 [.272]
P/N	POS.	DIM. A	DIM. B	DIM. C	DIM. D