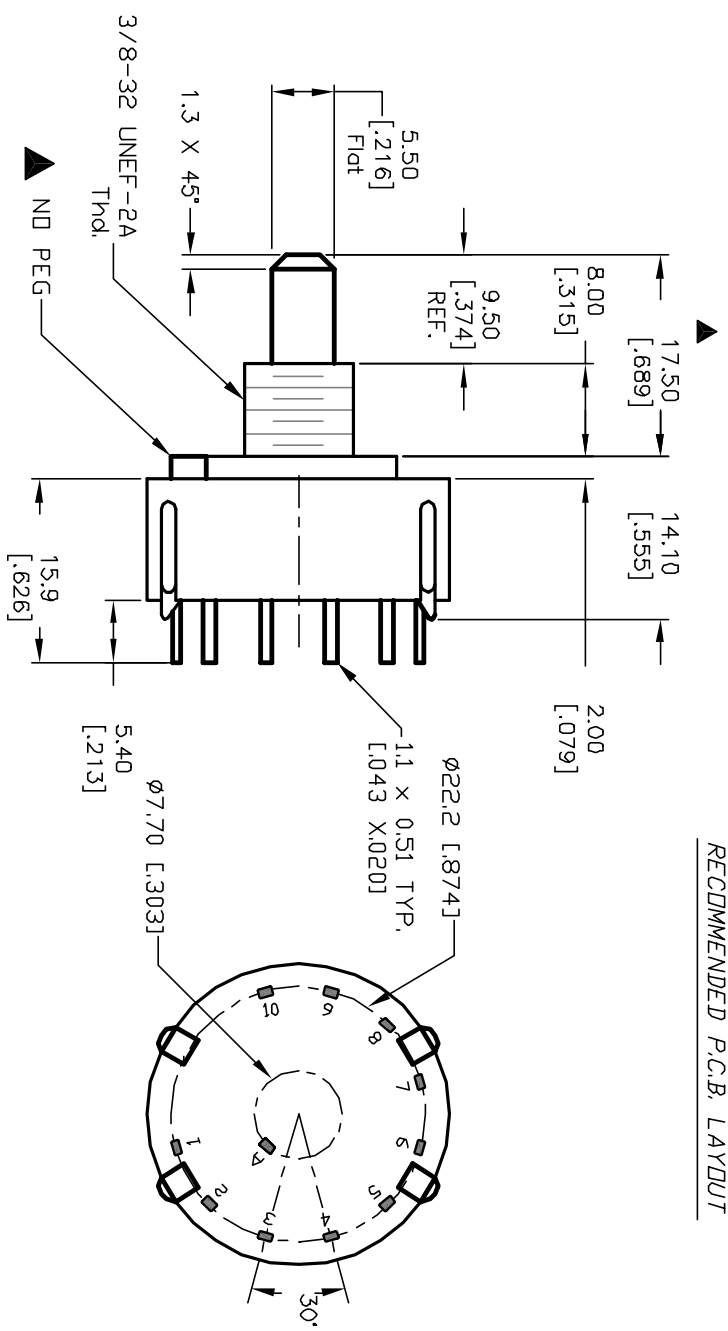
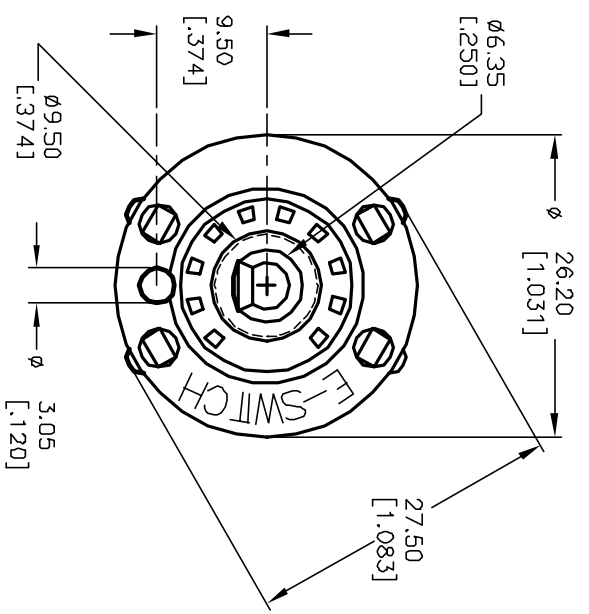
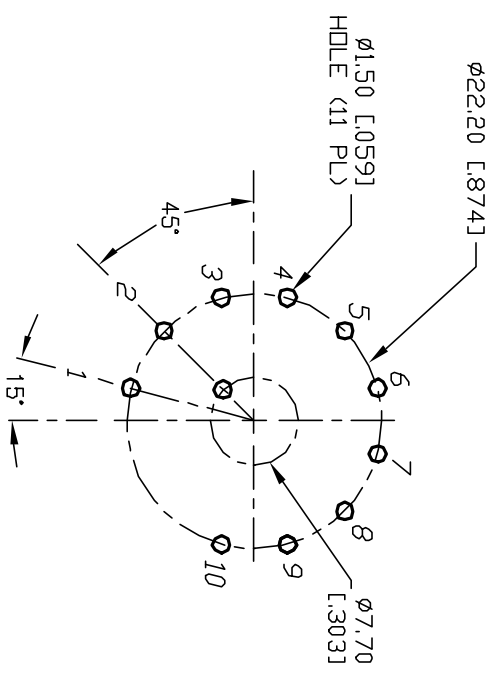
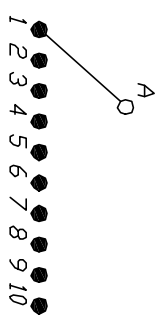


- NOTES:
1. ALL DIMENSION IN MM [INCH]
  2. GENERAL TOLERANCE: X.X=±0.4  
X.XX=±0.25
  3. TERM. NOS. FOR REF. ONLY
  4. CONTACT RATING SWITCHING: 150mA, 250V AC/DC  
350mA, 110V AC/DC
  5. CONTACT RATING (NON-SWITCHING) 5A
  6. OPERATING FORCE: 425±100 CM/STANDARD
  7. OPERATING TEMP: -30° to 85°C
  8. CIRCUIT SP: 10 POSITIONS, 30° INDEX.
  9. DIELECTRIC STRENGTH 1000V RMS min. @ SEA LEVEL
  10. DESIGNATE MAJOR DIMENSIONS
  11. SUPPLIED LOCK NUT AND WASHER (NOT SHOWN).



B		12433	REV DESC. PER NEW CATALOG	9/19/02	CJB	TITLE	KC-50-A-(9.5mm)01-S-P-S (NO PEG)		
A		11294	RELEASED FOR PRODUCTION	3/7/01	CJB	SCALE	1.5:1	DATE	3/7/01
REV.		ECN No.	DESCRIPTION	DATE	CHKD	DR	CJB	DWG	G530101
THE INFORMATION CONTAINED IN THIS DOCUMENT IS PROPRIETARY TO E-SWITCH AND IS NOT TO BE COPIED OR TRANSFERRED						REV	B		

**E-SWITCH®**