



50 Ohm SMA Male to 75 Ohm F Female Adapter

TECHNICAL DATA SHEET

PE91003

50 Ohm SMA Male to 75 Ohm F Female Adapter

Configuration

| | |
|----------------|----------|
| Connector 1 | SMA Male |
| Impedance 1 | 50 Ohms |
| Connector 2 | F Female |
| Impedance 2 | 75 Ohms |
| Adapter Design | Standard |
| Body Style | Straight |

Mechanical Specifications

Size

| | |
|---------------------|--------------|
| Length, in [mm] | 1.07 [27.18] |
| Width/Dia., in [mm] | 0.375 [9.53] |

Connector 1

| | |
|--------------------------------------|---------------|
| Type | SMA Male |
| Inner Conductor Material and Plating | Gold |
| Coupling Nut Material and Plating | Brass, Nickel |
| Hex Size, in. | 5/16 |
| Torque, in-lbs [Nm] | 5 [0.57] |
| Body Material and Plating | Brass, Nickel |
| Dielectric Type | PTFE |

Connector 2

| | |
|--------------------------------------|---------------|
| Type | F Female |
| Inner Conductor Material and Plating | Gold |
| Body Material and Plating | Brass, Nickel |
| Dielectric Type | PTFE |

Compliance Certifications (visit www.Pasternack.com for current document)

| | |
|----------------|-----|
| RoHS Compliant | Yes |
|----------------|-----|

Plotted and Other Data

| | |
|--------|----------------------------|
| Notes: | Values at 25 °C, sea level |
|--------|----------------------------|

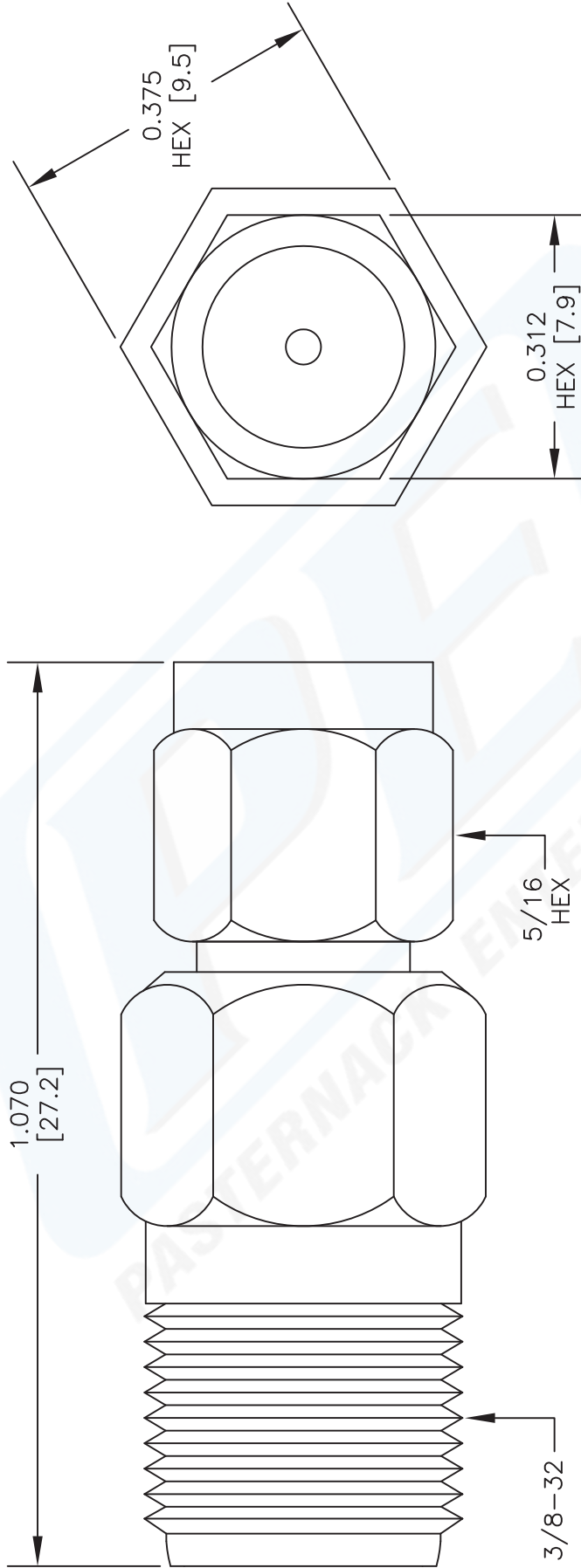
URL: <http://www.pasternack.com/sma-male-f-female-straight-adapter-pe91003-p.aspx>

50 Ohm SMA Male to 75 Ohm F Female Adapter from Pasternack Enterprises has same day shipment for domestic and International orders. Our RF, microwave and fiber optic products maintain a 99% availability and are part of the broadest selection in the industry.

The information contained in this document is accurate to the best of our knowledge and representative of the part described herein. It may be necessary to make modifications to the part and/or the documentation of the part, in order to implement improvements. Pasternack reserves the right to make such changes as required. Unless otherwise stated, all specifications are nominal.

PE91003 CAD Drawing

50 Ohm SMA Male to 75 Ohm F Female Adapter



NOTES:

1. UNLESS OTHERWISE SPECIFIED ALL DIMENSIONS ARE NOMINAL.
2. ALL SPECIFICATIONS ARE SUBJECT TO CHANGE WITHOUT NOTICE AT ANY TIME.
3. DIMENSIONS ARE IN INCHES [mm].

DWG TITLE
PE91003

FSCM NO. 53919

2233

SIZE A

SCALE N/A

CAD FILE 050809

PE PASTERNAK®
 Pasternack Enterprises, Inc.
 P.O. Box 16759 | Irvine | CA | 92623
Phone: (949) 261-1920 | **Fax:** (949) 261-7451
Website: www.pasternack.com | **E-Mail:** sales@pasternack.com